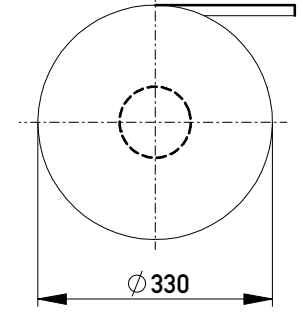
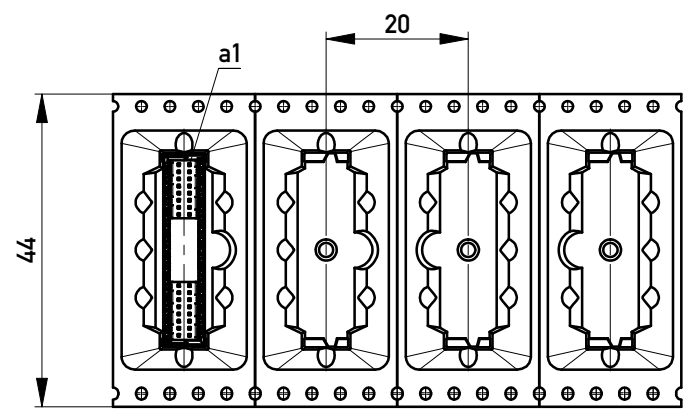


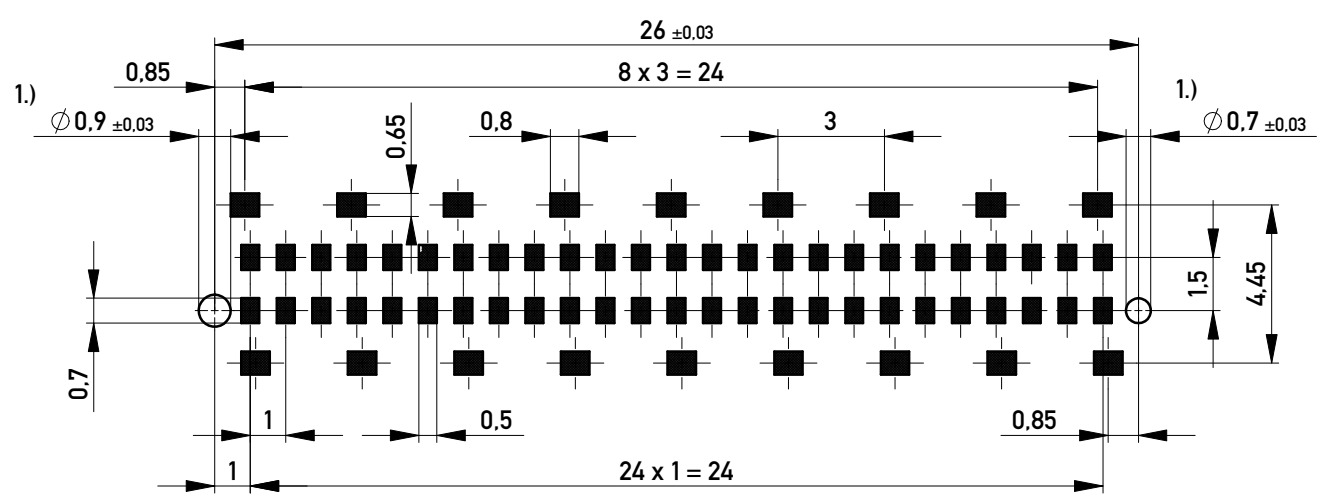
Verpackt im Gurt in Anlehnung an DIN IEC 60286-3
tape on reel packaging according to DIN IEC 60286-3
 Verpackungseinheit: 170 Stück
packaging unit: 170 pcs



Abspulrichtung - *Reel off Direction*



Leiterplatten-Layout Vorschlag / PCB-layout proposal



1.) Durchmesser des Bohrers / *Drill tool*

Anforderungsstufe 1
Performance Level 1

Kontaktbereich vergoldet
Mating Area gold plating

Anschlussbereich verzinkt 4-6 µm
Terminal Area 4-6 µm tin plating

Koplanarität der Anschlüsse ≤ 0.1 mm
Coplanarity Area of Termination ≤ 0.1 mm

| | | | |
|--|--|--|---------|
| Information: All rights reserved. Only for Information. To ensure that this is the latest version of this drawing, please contact one of the ERNI companies before using. | Tolerances All Dimensions in mm | Scale | 5:1 |
| | | Designation Messerleiste 9mm SMD, 50 polig Male 9mm SMD, 50 contacts | |
| www.ERNI.com | 224559 | | I A3 |
| l Index | 13.09.2017 Date | Class MSPEED | |

Copyright by ERNI Production GmbH & Co. KG
 Proprietary notice pursuant to ISO 16016 to be observed.