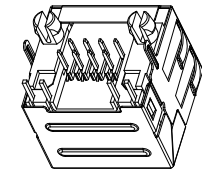
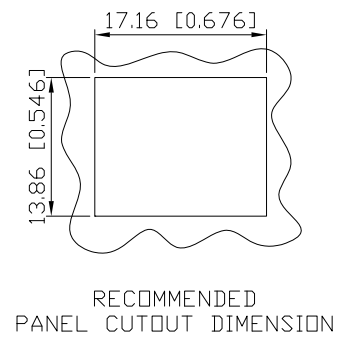
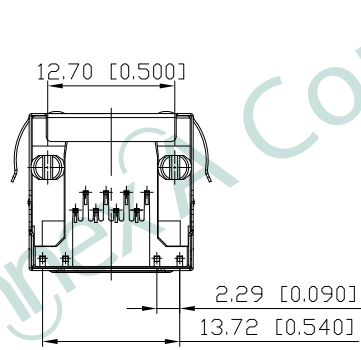
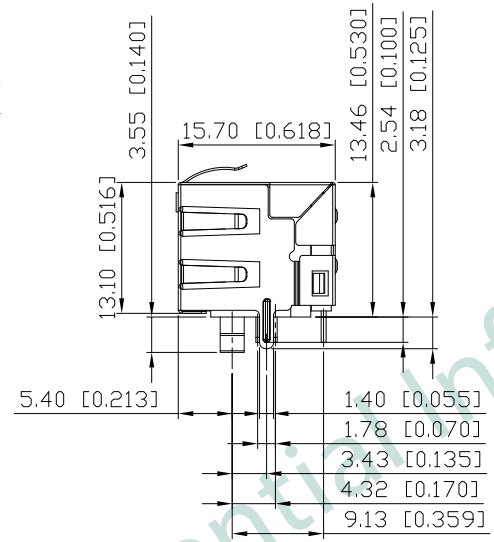
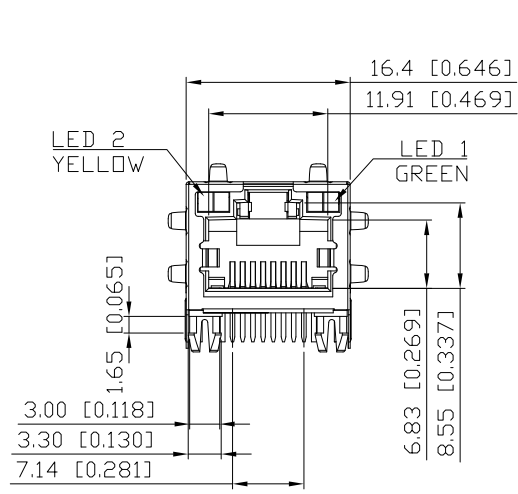


1. MECHANICAL DIMENSIONS :

REV.	DATE	DESCRIPTION
01	Nov. 03, '19	1st RELEASE



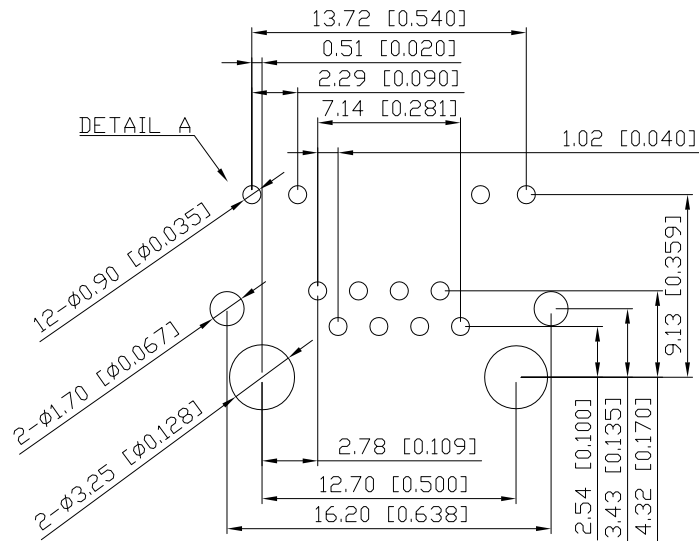
NOTES:

- MATERIAL:
HOUSING: HIGH THERMOPLASTIC, UL94V-0, BLACK
INSERT: HIGH THERMOPLASTIC, UL94V-0, BLACK
CONTACTS: T=0.35x0.46mm PHOS-BRONZE,
GOLD FLASH PLATING ON CONTACT AREA,
NICKEL UNDERPLATING OVERALL
SHIELD: T=0.2mm COPPER ALLOY, NICKEL PLATING
- OPERATING TEMPERATURE: -40°C~+85°C
- INSERTION FORCE: 4 POUNDS MAX.
EXTRACTION FORCE: 4 POUNDS MAX.
- DURABILITY: 750 MATING CYCLED MIN.
- CAVITY CONFORMS TO FCC RULES AND REGULATIONS PART 68, SUBPART F.
- UNSPECIFIED TOLERANCE: .XX ±0.25[0.010]
.X ±0.30[0.012]

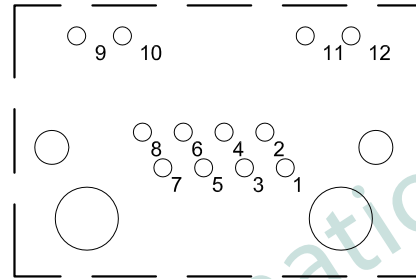
PART NO		KRM-S-01-8-8-1-GM5-XXX		
TITLE	RJ45 8P8C, W/LED, SHIELDED			
REV : 01				
UNIT	DRAWN	CHKD	DATE	SHEET
mm[inch]	CINDY	VINCENT	Nov. 03, '20	1 of 4

RoHS Compliant

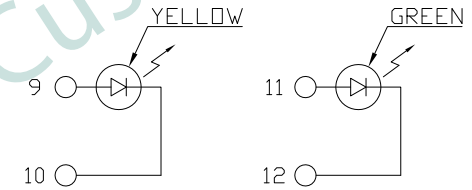
2. PCB LAYOUT :



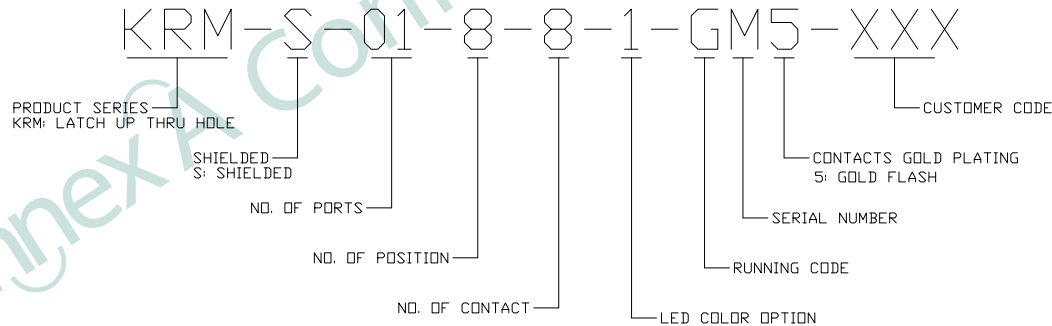
SUGGESTED PCB LAYOUT
(TOP VIEW) SCALE 2:1
DIMENSIONAL TOLERANCE: .XX ±0.08[0.003]



DETAIL A



COLOR	VF(V) @20mA		IV(mcd) @20mA	IF(mA)	PEAK WAVE LENGTH λP(nm) @20mA
	TYP	MAX	TYP	TYP	TYP
YELLOW	2.2	2.6	15	20	588
GREEN	2.2	2.6	10	20	570



PART NO		KRM-S-01-8-8-1-GM5-XXX		
TITLE	RJ45 8P8C, W/LED, SHIELDED			
REV : 01				
UNIT	DRAWN	CHKD	DATE	SHEET
mm[inch]	CINDY	VINCENT	Nov. 03, '20	2 of 4

3. MECHANICAL DIMENSIONS :

A

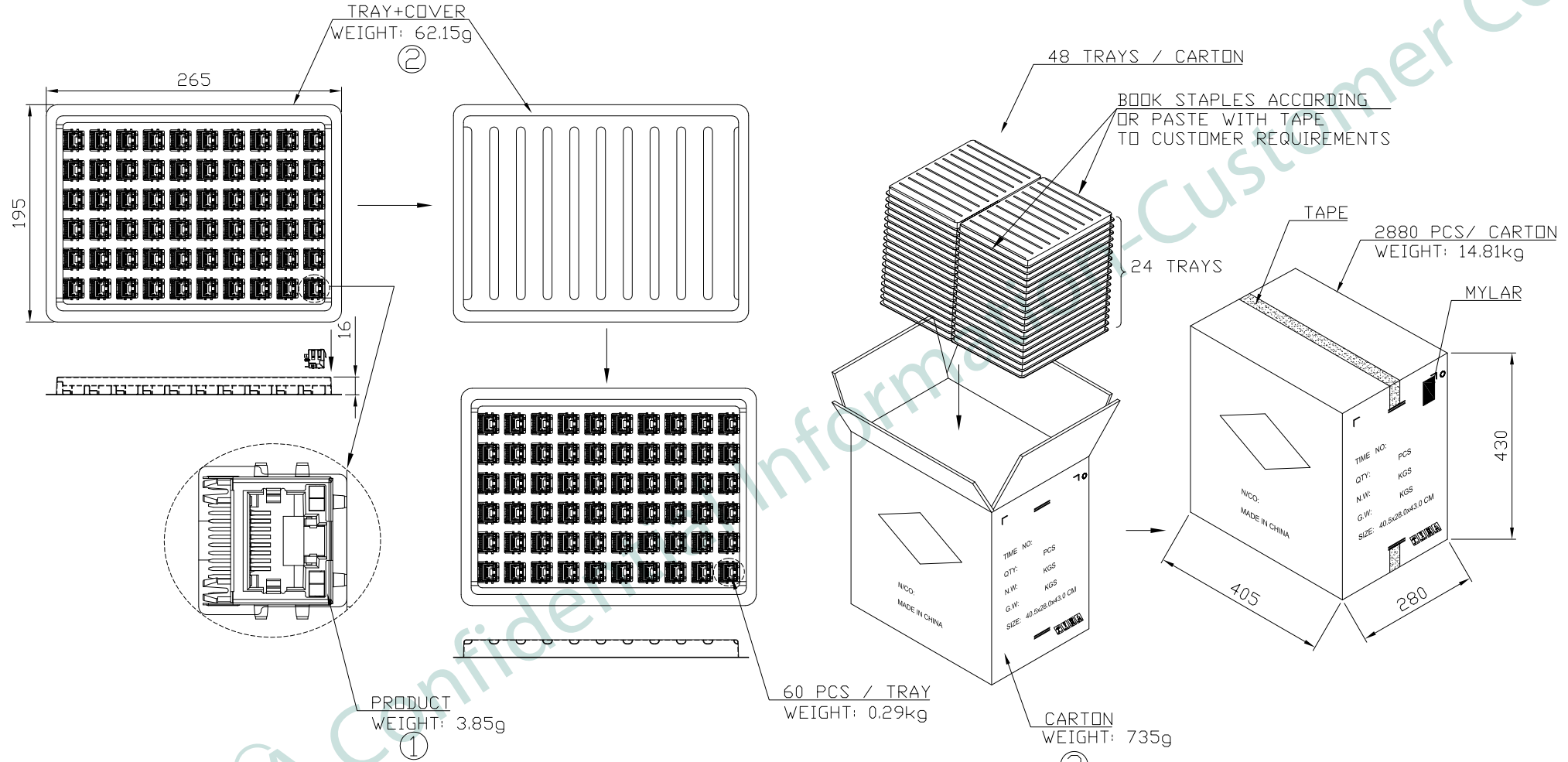
B

C

D

E

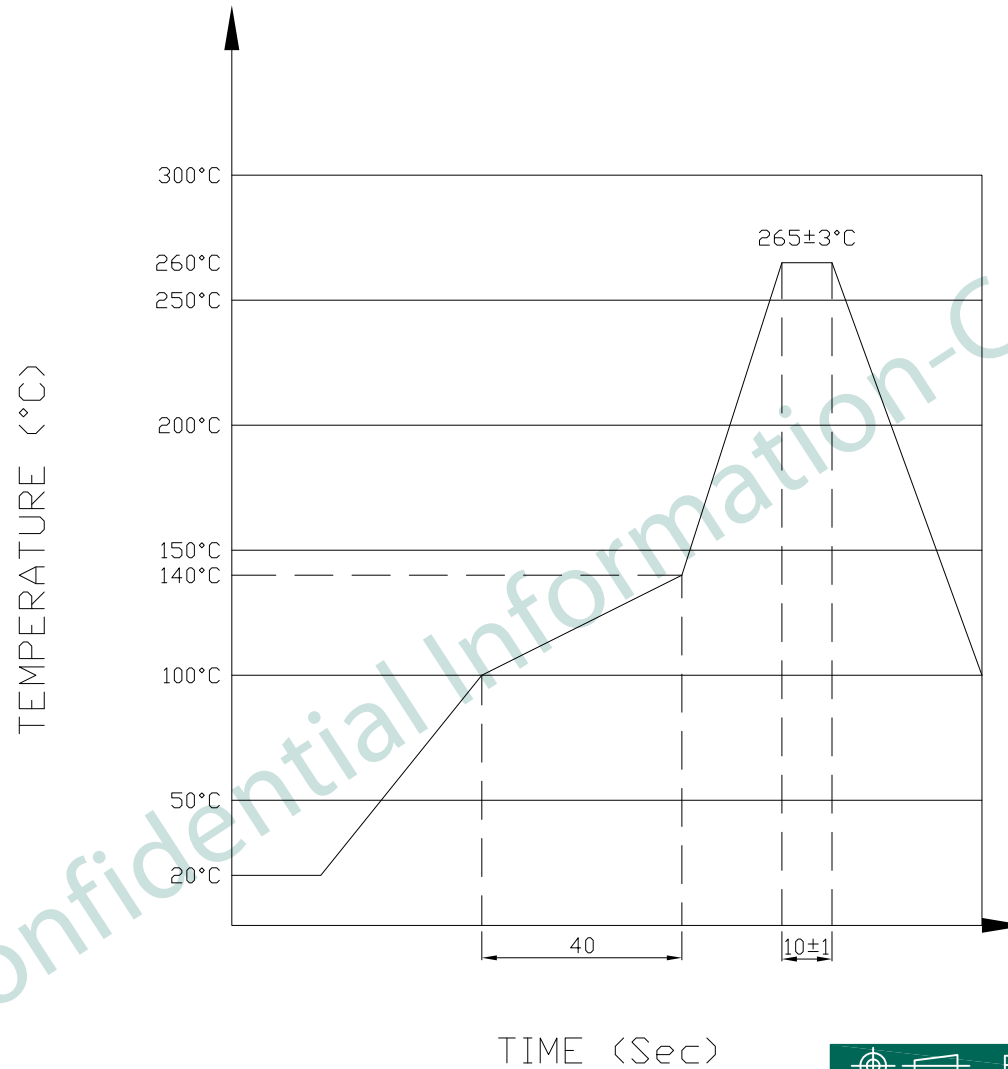
F



NO.	DEFINITION	PIECE WEIGHT
1	PRODUCT	3.85g
2	TRAY&COVER	62.15g
3	CARTON	735g

PART NO				
KRM-S-01-8-8-1-GM5-XXX				
TITLE		RJ45 8P8C, W/LED, SHIELDED		
REV : 01				
UNIT	DRAWN	CHKD	DATE	SHEET
mm[inch]	CINDY	VINCENT	Nov. 03, '20	3 of 4

4. PROFILE OF WAVE SOLDER :



The measuring point for the specified temperature shall be on the soldered part of the lead

PART NO		KRM-S-01-8-8-1-GM5-XXX		
TITLE	RJ45 8P8C, W/LED, SHIELDED			
REV : 01				
UNIT	DRAWN	CHKD	DATE	SHEET
mm[inch]	CINDY	VINCENT	Nov. 03, '20	4 of 4