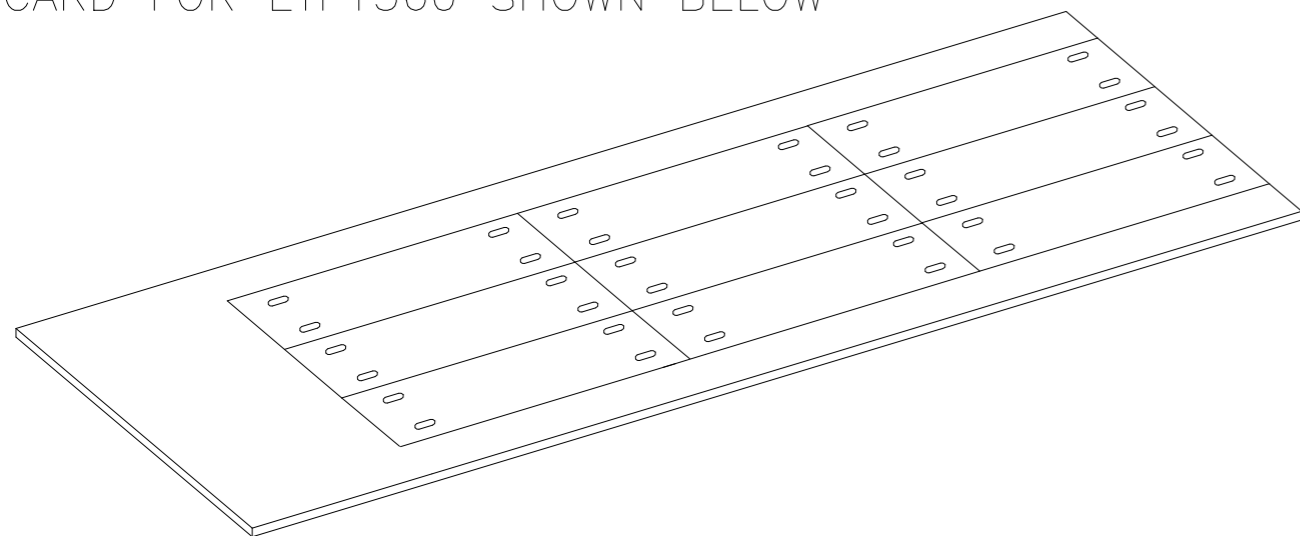
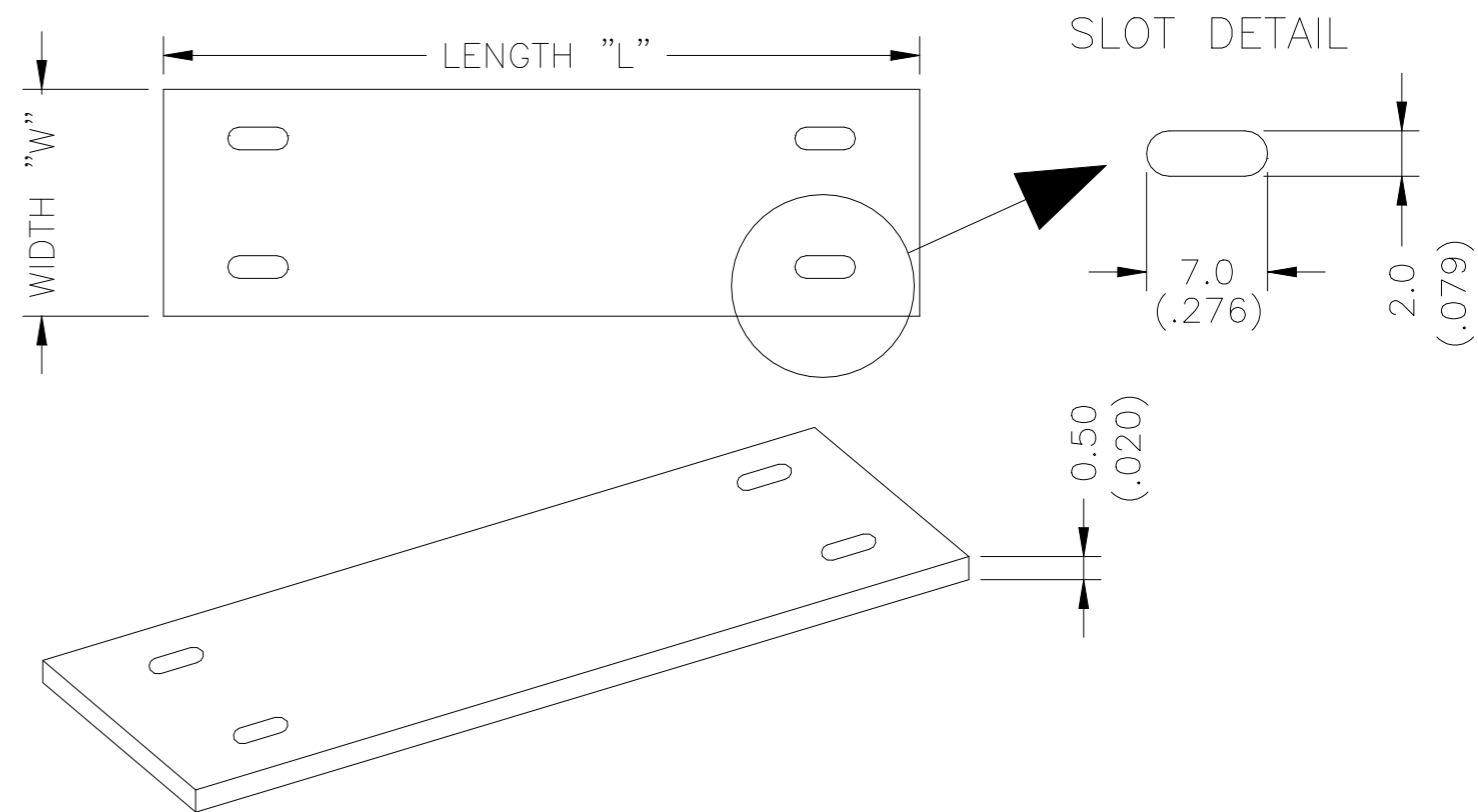
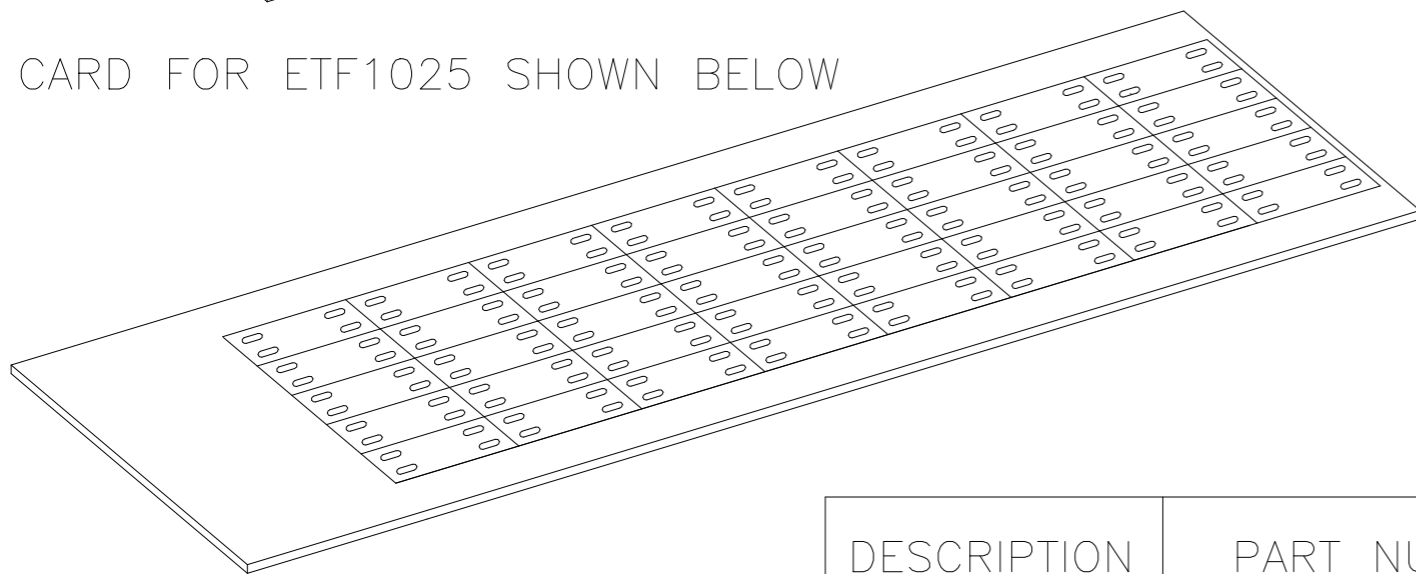


| REVISIONS | | | | | |
|-----------|-----|-----------------|-----------|-----|------|
| P | LTR | DESCRIPTION | DATE | DWN | APVD |
| | 1 | INITIAL DRAWING | 15MAR2021 | AFK | LS |

MARKERS SUPPLIED IN CARD FORM
CARD FOR ETF1560 SHOWN BELOW



CARD FOR ETF1025 SHOWN BELOW



| DESCRIPTION | PART NUMBER | MARKER COLOR | LENGTH "L" | WIDTH "W" | MARKERS PER CARD | CARDS PER PACK |
|-------------|-----------------|--------------|------------|-----------|------------------|----------------|
| ETF1025 | 1SNA235599R0000 | WHITE | 25 (.984) | 10 (.394) | 40 | 18 |
| ETF1560 | 1SNA235601R0000 | WHITE | 60 (2.362) | 15 (.591) | 9 | 18 |
| ETF1560-YL | 1SNA235602R0000 | YELLOW | 60 (2.362) | 15 (.591) | 9 | 18 |

DIMENSIONS IN mm (inches)

| | | | | | | | |
|--|--|--|-----------|----------------------|-----------|------------|---------------|
| THIS DRAWING IS A CONTROLLED DOCUMENT. | | DWN AFK | 15MAR2021 | TE Connectivity | | | |
| DIMENSIONS: mm | | CHK ALE | 15MAR2021 | | | | |
| | | TOLERANCES UNLESS OTHERWISE SPECIFIED: | | NAME | | | |
| | | 0 PLC | ± - | TIE-ON CABLE MARKERS | | | |
| | | 1 PLC | ± - | - | | | |
| | | 2 PLC | ± - | - | | | |
| | | 3 PLC | ± - | - | | | |
| | | 4 PLC | ± - | - | | | |
| | | ANGLES | ± - | - | | | |
| MATERIAL | | FINISH | | SIZE | CAGE CODE | DRAWING NO | RESTRICTED TO |
| RIGID PVC | | | | VARIES | A3 00779 | C-ETF | - |
| CUSTOMER DRAWING | | | | SCALE | SHEET | REV | |
| | | | | NTS | 1 OF 1 | 1 | |