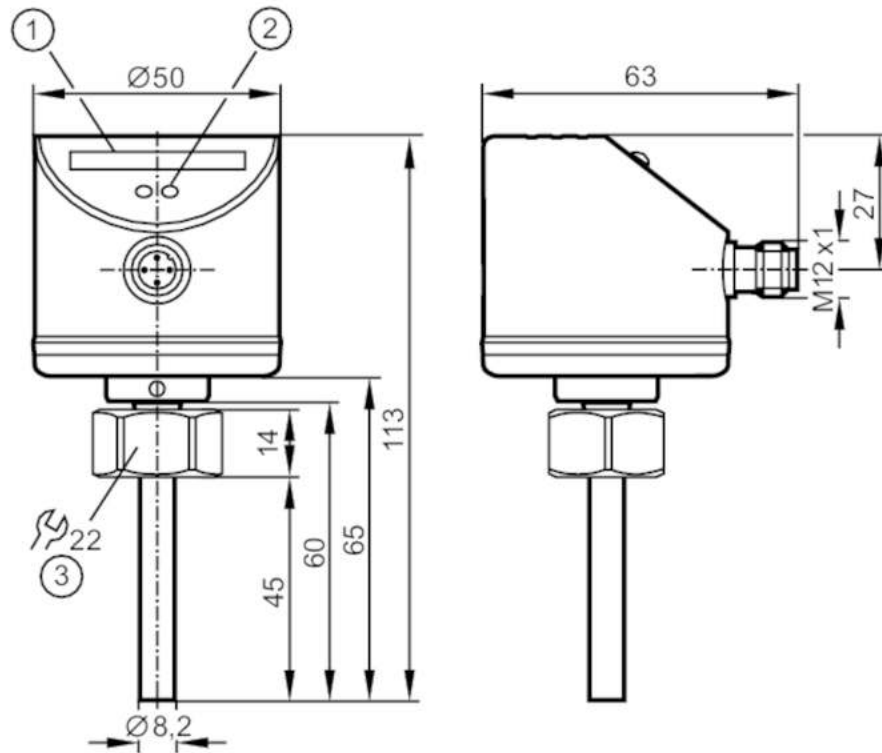


# SI5010



## Flow monitor

SID10ADBFPKG/US-100



- 1 LED bar display
- 2 setting pushbutton
- 3 Tightening torque 25 Nm



### Product characteristics

|                              |                              |
|------------------------------|------------------------------|
| Number of inputs and outputs | Number of digital outputs: 1 |
| Process connection           | M18 x 1,5 internal thread    |

### Application

|  |                |
|--|----------------|
| Media  | Liquids; Gases |
| Medium temperature [°C]                        | -25...80       |
| Pressure rating [bar]                          | 300            |
| MAWP (for applications according to CRN) [bar] | 208            |

### Liquids

|                         |          |
|-------------------------|----------|
| Medium temperature [°C] | -25...80 |
|-------------------------|----------|

### Gases

|                         |          |
|-------------------------|----------|
| Medium temperature [°C] | -25...80 |
|-------------------------|----------|

### Electrical data

|                             |            |
|-----------------------------|------------|
| Operating voltage [V]       | 18...36 DC |
| Current consumption [mA]    | < 60       |
| Protection class            | III        |
| Reverse polarity protection | yes        |
| Power-on delay time [s]     | 10         |

# SI5010



## Flow monitor

SID10ADBFPKG/US-100

| Inputs / outputs                                     |  |
|--|--|
| Number of inputs and outputs                         | Number of digital outputs: 1                                 |
| Outputs  |  |
| Total number of outputs                              | 1  |
| Output signal  | switching signal; IO-Link; (configurable)                    |
| Electrical design                                    | PNP  |
| Number of digital outputs                            | 1  |
| Output function                                      | normally open / normally closed; (parameterisable)           |
| Max. voltage drop switching output DC [V]            | 2.5  |
| Permanent current rating of switching output DC [mA] | 250  |
| Short-circuit protection                             | yes  |
| Type of short-circuit protection                     | pulsed   |
| Overload protection                                  | yes  |
| Measuring/setting range                              |  |
| Probe length L [mm]                                  | 45   |
| Liquids  |  |
| Setting range [cm/s]                                 | 3...300  |
| Greatest sensitivity [cm/s]                          | 3...100  |
| Gases  |  |
| Setting range [cm/s]                                 | 200...3000   |
| Greatest sensitivity [cm/s]                          | 200...800  |
| Accuracy / deviations                                |  |
| Repeatability [cm/s]                                 | 1...5  |
| Note on repeatability                                | for water 5...100 cm/s; 25 °C<br>Factory setting             |
| Temperature drift [cm/s x 1/K]                       | 0.1; (for water 5...100 cm/s; 10...70 °C)                    |
| Temperature gradient [K/min]                         | 300  |
| Switch point accuracy [cm/s]                         | ± 2...± 10; (for water 5...100 cm/s; 25 °C; Factory setting) |
| Hysteresis [cm/s]                                    | 2...5; (for water 5...100 cm/s; 25 °C; Factory setting)      |
| Response times                                       |  |
| Liquids  |  |
| Response time [s]                                    | 1...10   |
| Gases  |  |
| Response time [s]                                    | 1...10   |
| Software / programming                               |  |
| Adjustment of the switch point                       | pushbutton   |
| Interfaces   |  |
| Communication interface                              | IO-Link  |
| Transmission type                                    | COM2 (38,4 kBaud)  |
| IO-Link revision                                     | 1.1  |

# SI5010



## Flow monitor

SID10ADBFPKG/US-100

|                              |  |          |
|------------------------------|--|----------|
| SDCI standard                | IEC 61131-9  |          |
| Profiles                     | Smart Sensor: Process Data Variable; Device Identification |          |
| SIO mode                     | yes  |          |
| Required master port type    | A  |          |
| Process data analogue        | 2  |          |
| Process data binary          | 2  |          |
| Min. process cycle time [ms] | 3  |          |
| Supported DeviceIDs          | Type of operation  | DeviceID |
|                              | Default  | 54       |

| Operating conditions     |              |  |
|--------------------------|--------------|--|
| Ambient temperature [°C] | -25...80     |  |
| Storage temperature [°C] | -25...100    |  |
| Protection               | IP 65; IP 67 |  |

| Tests / approvals    |                    |                     |
|----------------------|--------------------|---------------------|
| EMC                  | DIN EN 61000-6-2   |                     |
|                      | DIN EN 61000-6-3   |                     |
| Shock resistance     | DIN IEC 60068-2-27 | 50 g (11 ms)        |
| Vibration resistance | DIN EN 60068-2-6   | 20 g (55...2000 Hz) |
| MTTF [years]         | 298                |                     |

| Mechanical data          |   |  |
|--------------------------|---|--|
| Weight [g]               | 248.5   |  |
| Dimensions [mm]          | M18 x 1.5   |  |
| Thread designation       | M18 x 1.5   |  |
| Materials                | stainless steel (1.4404 / 316L); stainless steel (1.4301 / 304); PC; PBT-GF20; EPDM/X |  |
| Materials (wetted parts) | stainless steel (1.4404 / 316L); O-ring: FKM 80 Shore A                               |  |
| Process connection       | M18 x 1,5 internal thread   |  |

| Displays / operating elements |          |                        |
|-------------------------------|----------|------------------------|
| Display                       | function | 10 x LED, three-colour |

| Remarks       |        |  |
|---------------|--------|--|
| Pack quantity | 1 pcs. |  |

### Electrical connection

Connector: 1 x M12; coding: A



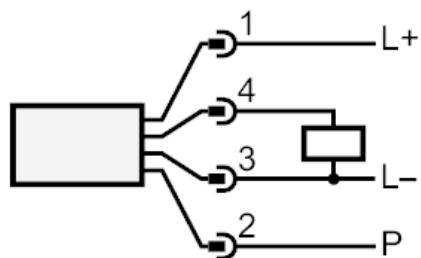
# SI5010



## Flow monitor

SID10ADBFPKG/US-100

### Connection



P = programming wire for remote calibration  
Pin 4: IO-Link