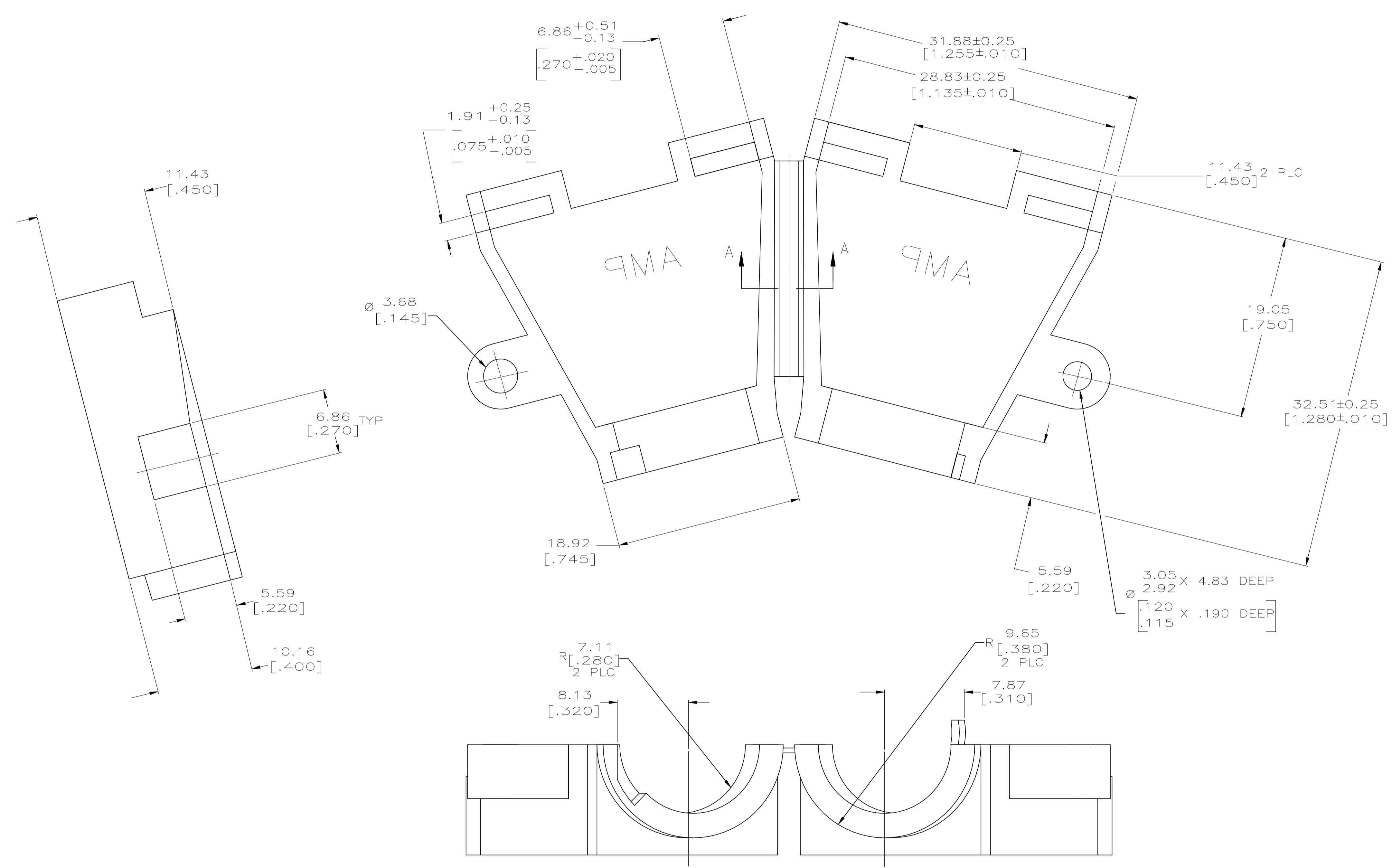
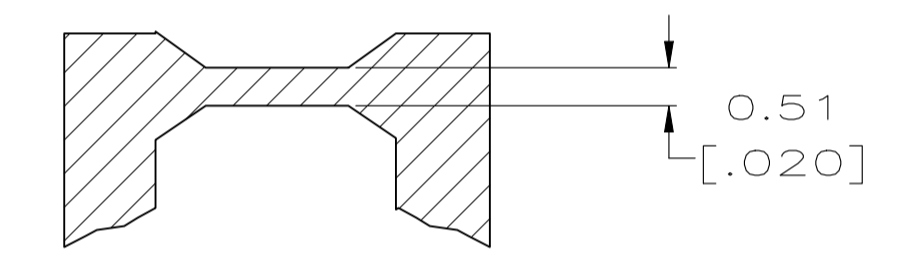


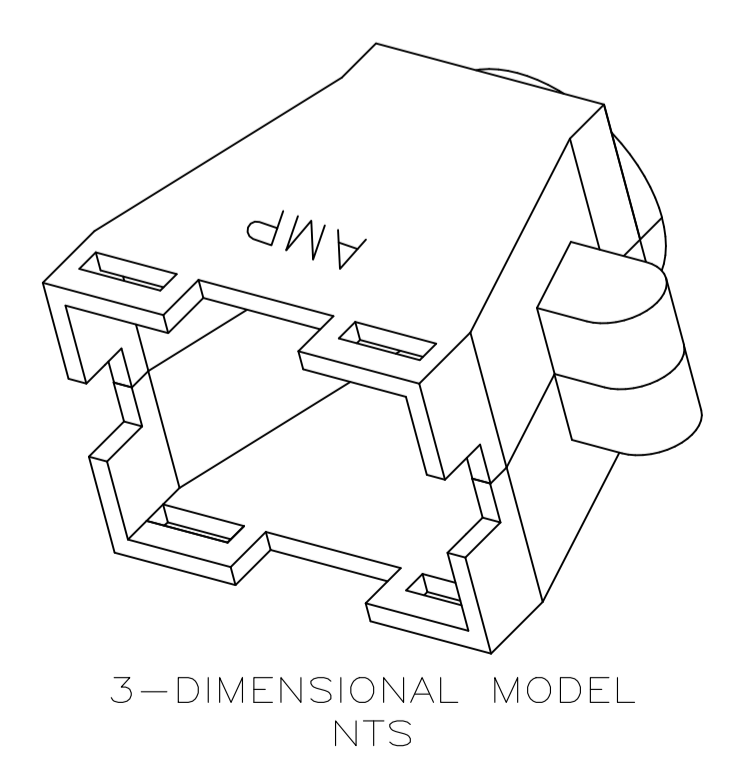
REVISIONS					
P	LTR	DESCRIPTION	DATE	DMN	APVD
J		ECO-21-006920	14DEC2021	RK	MZ



- REQUIRES A #6 PAN HEAD TYPE "B" SELF TAPPING PAN HEAD SCREW, 9.53 [.375] LONG.
- DIMENSIONS IN BRACKETS ARE IN INCHES.
- HOUSING MATERIAL: PA66, BLACK, UL 94 V-0 RATED
- HOUSING MATERIAL: PA66, BLACK, UL 94 V-2 RATED



SECTION A-A
SCALE 10:1



3-DIMENSIONAL MODEL
NTS

	1-350524-9
	350524-1
MATERIAL	PART NO

THIS DRAWING IS A CONTROLLED DOCUMENT.		DMN: K. SALMON 9-17-93	NAME	
DIMENSIONS: mm [INCHES]		CHK: R. SWING 9-17-93	STRAIN RELIEF, HINGED, 24 POSITION	
TOLERANCES UNLESS OTHERWISE SPECIFIED:		APVD: W. LONG 7-20-94	RESTRICTED TO	
0 PLC ± -	1 PLC ± -	PRODUCT SPEC	SIZE	CAGE CODE
2 PLC ± 0.13 [.005]	3 PLC ± -	APPLICATION SPEC	A1	00779
4 PLC ± -	ANGLES ± -	WEIGHT	SCALE	4:1
MATERIAL SEE TABLE	FINISH -	CUSTOMER DRAWING	SHEET	1 OF 1
			REV	J