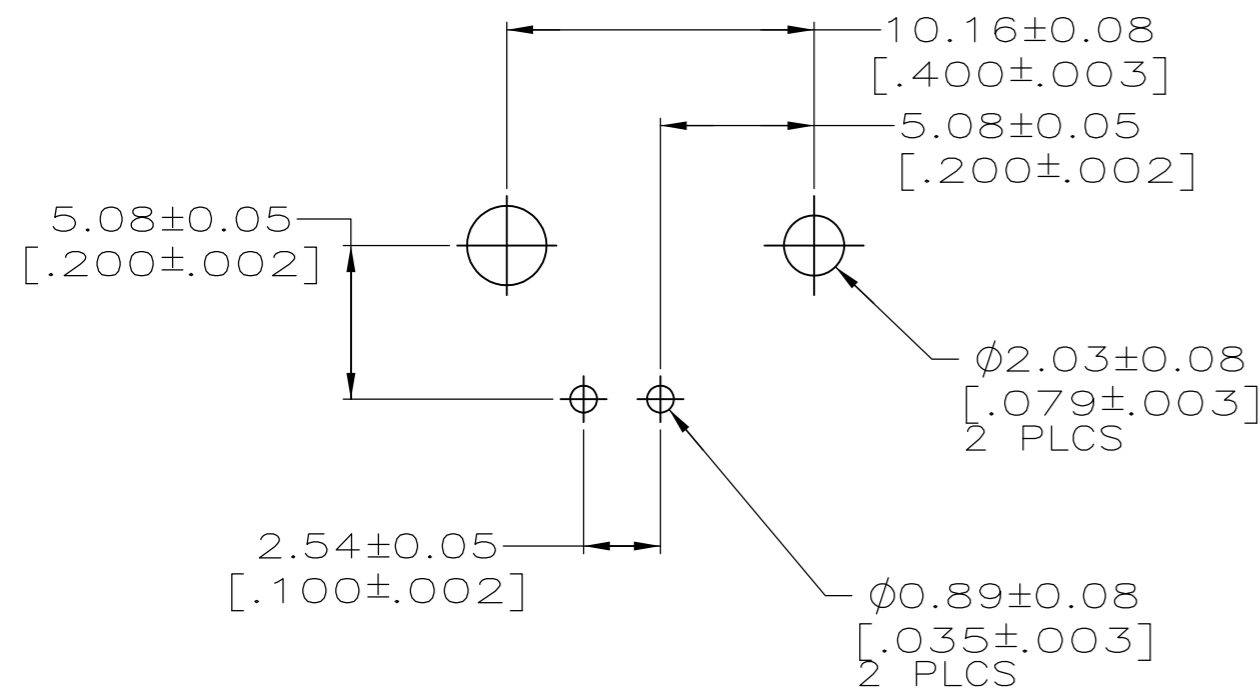
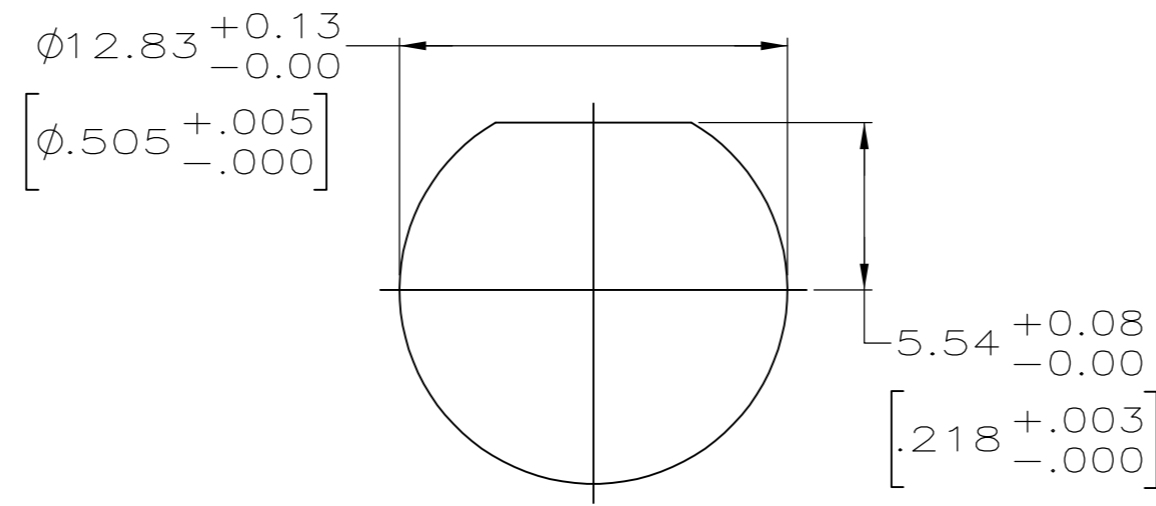


THIS DRAWING IS UNPUBLISHED. RELEASED FOR PUBLICATION  
 © COPYRIGHT BY TYCO ELECTRONICS CORPORATION. ALL RIGHTS RESERVED.

LOC	DIST	REVISIONS					
		P	LTR	DESCRIPTION	DATE	DWN	APVD
AJ	16	B		REV PER ECO 08-009474	7/22/2008	DW	JL

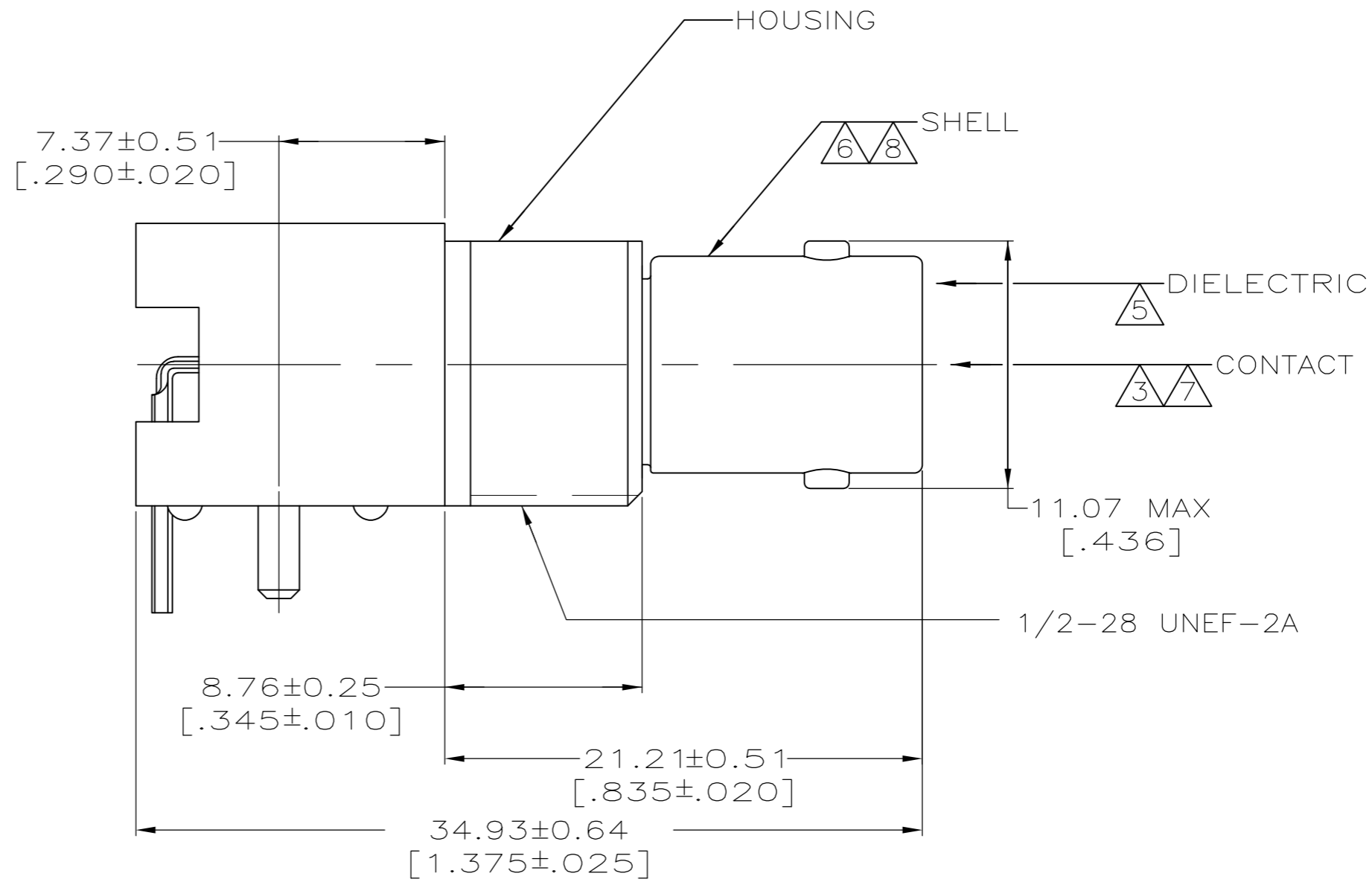
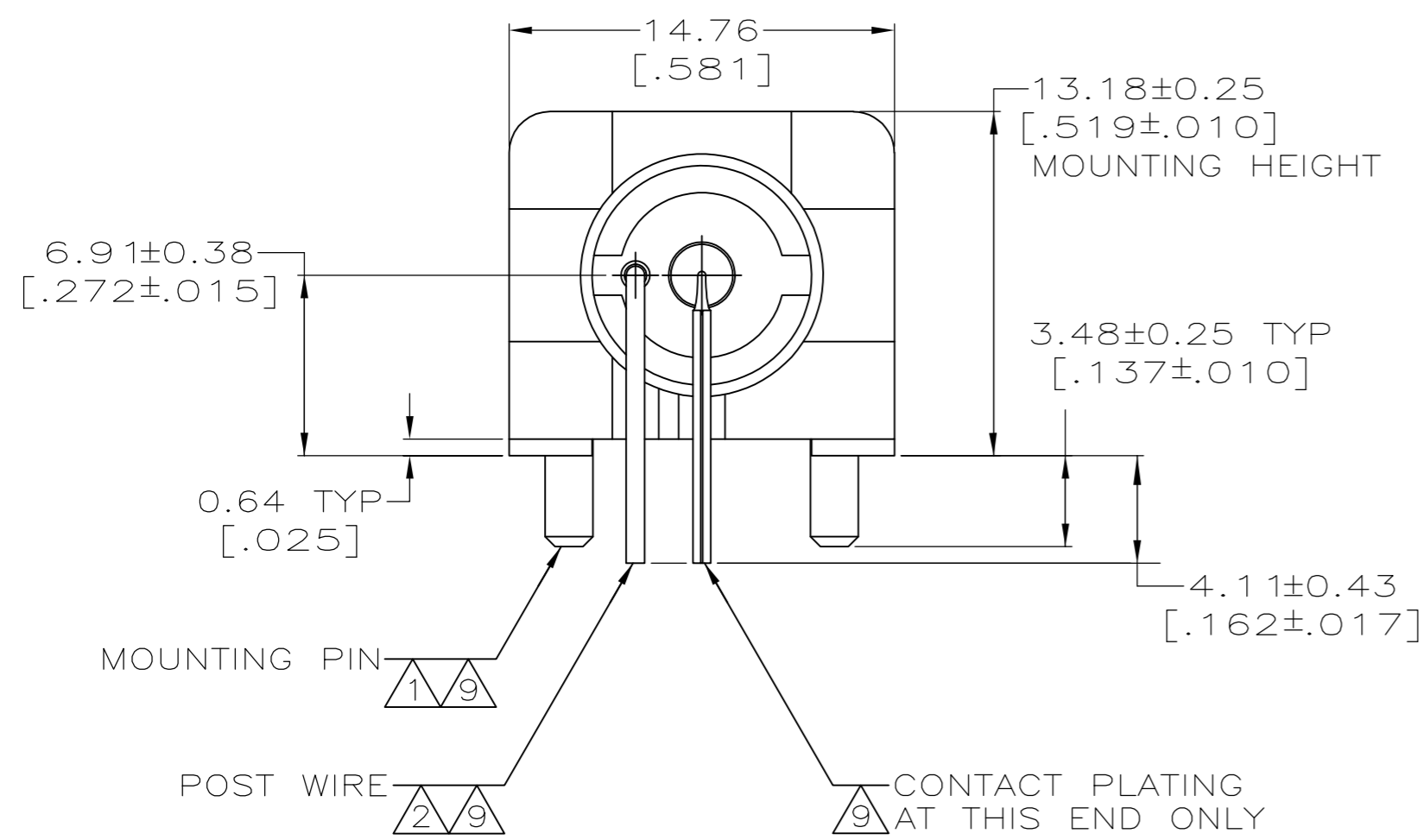


RECOMMENDED PCB LAYOUT



RECOMMENDED PANEL CUTOUT

- ① BRASS PER ASTM-B-16
- ② BRASS PER ASTM-B-453
- ③ PHOSPHOR BRONZE PER ASTM-B-103
- ④ POLYESTER PBT PER MIL-M-25419, TYPE GPT-15F, UL94V-0 RATED, COLOR: BLACK
- ⑤ POLYMETHYLPENTENE: GENERAL PURPOSE
- ⑥ ZINC DIE CAST PER QQ-Z-363
- ⑦ GOLD PLATE PER ASTM-B-488, 0.76 μm [.000030] MIN THICKNESS
- ⑧ NICKEL PLATE PER QQ-N-290, 3.81 μm [.000150] MIN THICKNESS
- ⑨ TIN PLATE PER ASTM-B-545, 3.81 μm [.000150] MIN THICK.
- 10. USE INSTRUCTION SHEET 408-2769
- ⑪ POLYESTER PBT PER MIL-M-25419, TYPE GPT-15F, UL94V-0 RATED, COLOR: WHITE



⑪	5415634-2
④	5415634-1
HOUSING MATERIAL	PART NUMBER

THIS DRAWING IS A CONTROLLED DOCUMENT.		DWN	27APR2005	Tyco Electronics Corporation	
DIMENSIONS: mm [INCHES]		CHK	J. ALCORTA - DOCK5	Harrisburg, PA 17105-3608	
TOLERANCES UNLESS OTHERWISE SPECIFIED:		APVD	J. HAVENER	NAME	
0 PLC	± -	PRODUCT SPEC	J. LIPPERT	JACK, RIGHT ANGLE, 75 OHM, LOW-PROFILE, PCB, BNC	
1 PLC	± -	APPLICATION SPEC	108-12078	SIZE	CAGE CODE
2 PLC	± 0.20 [.008]	WEIGHT	-	A2	00779
3 PLC	± -	CUSTOMER DRAWING	-	SCALE	4:1
4 PLC	± -	FINISH	SEE NOTES	SHEET	1 OF 1
ANGLES	± -	REVISIONS	SEE NOTES	REV	B