

845/895 SERIES



High Temp Card Edge Connectors 0.100" (2.54mm) Pitch

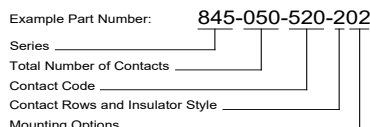
Features:

- 0.100" (2.54mm) contact spacing x 0.200" (5.08mm) row spacing
- Accepts 0.062" (1.57mm) nominal thickness P.C. board
- High profile insulator body, 0.600" (15.24mm)
- Contact termination options include P.C. tail, wire wrap, wire hole, 90 degree bends and extender board bends
- Single or dual row configurations
- Large variety of mounting options, flush or offset lugs
- Accepts between contact and in-contact polarizing keys
- Pre-assembled card guides are available
- Automatic wire wrap positioning holes
- RoHS Compliant & UL Certified



Specifications:

| | |
|---------------------------------|--|
| Insulator Material | (845: Diallyl Phthalate) (895: Polyphenylene sulfide) , UL 94V-0 |
| Contact Material | Copper Alloy |
| Contact Plating | Gold Plating on mating area and Tin Plating on tails with Nickel underplating all over |
| Current Rating | 3 amps |
| Contact Resistance | 10 milliohms maximum |
| Dielectric Withstanding Voltage | 1200 V AC rms at sea level between adjacent contacts |
| Insulation Resistance | 5000 megaohms minimum |
| Operating Temperature | -40°C to +125°C |
| Insertion Force | 16 oz (4.45 N) maximum per contact pair when tested with .070" (1.78mm) thick gauge |
| Withdrawal Force | 1 oz (0.28 N) minimum per contact pair when tested with .054" (1.37mm) thick gauge |



| Series: | Insulator Color: | Contact Code: | Tail Description: | Tail Size: | Tail Length "G": |
|----------------------------------|--|-------------------------|---------------------|---------------------------|---------------------------|
| 845 | Green | 500 | Wire Hole | .050 x .025 (1.27 x 0.64) | .260 (6.60) |
| 895 | Black | 520 | P.C. Tail | .030 x .018 (0.76 x 0.46) | .175 (4.45) |
| Total Number of Contacts: | Contact Rows: | 521 | P.C. Tail | .025 Square (0.64 Square) | .150 (3.81) |
| 005, 006, 072 | Single Row | 523 | P.C. Tail | .025 Square (0.64 Square) | .390 (9.91) |
| 010, 012, 144 | Dual Row | 524 | P.C. Tail | .018 Square (0.46 Square) | .175 (4.45) |
| Contact Rows: | Description: | Insulator Style: | 525 | P.C. Tail | .018 Square (0.46 Square) |
| 1 | Single Row | Flush Mounting Lugs | 540 | Wire Wrap | .025 Square (0.64 Square) |
| 2 | Dual Row | Flush Mounting Lugs | 541 | Wire Wrap | .025 Square (0.64 Square) |
| 4 | Single Row | .110 (2.79) Offset Lugs | 542 | Wire Wrap | .025 Square (0.64 Square) |
| 5 | Dual Row | .110 (2.79) Offset Lugs | 544 | Wire Wrap | .050 x .025 (1.27 x 0.64) |
| 6 | Single Row | .170 (4.32) Offset Lugs | 555 | EXTENDER BOARD BEND | (CODE 500 CONTACTS) |
| 8 | Dual Row | .170 (4.32) Offset Lugs | 556 | EXTENDER BOARD BEND | (CODE 520 CONTACTS) |
| Mounting Options: | Description: | 558 | 90 DEGREE BEND | (CODE 541 CONTACTS) | |
| 01 | No Mounting Lug | 559 | 90 DEGREE BEND | (CODE 541 CONTACTS) | |
| 02 | Ø.128" (Ø3.25mm) Mounting Holes | 560 | EXTENDER BOARD BEND | (CODE 523 CONTACTS) | |
| 03 | Ø.116" (Ø2.95mm) I.D. Floating Eyelets | | | | |
| 04 | Ø.156" (Ø3.96mm) Mounting Holes | | | | |
| 07 | M3-0.5 Metric Threaded Inserts | | | | |
| 08 | #4-40 Unified Threaded Inserts | | | | |
| 12 | Ø.128" (Ø3.25mm) Side Mounting Holes | | | | |

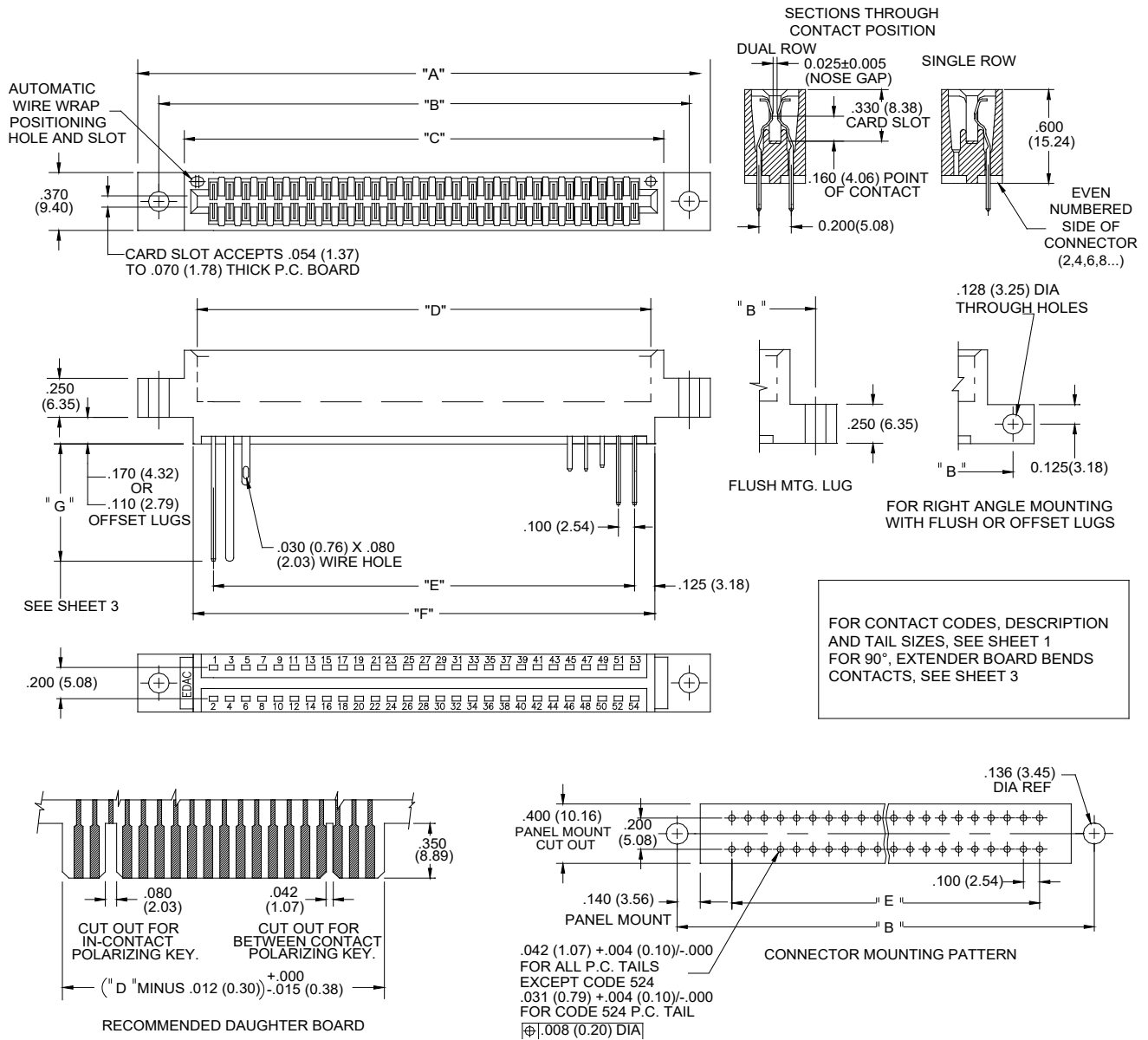
Ordering Code Notes:

- 1) All connector sizes up to 72 contacts single row / 144 contacts dual row are available upon request.
- 2) For details of the extender board and 90 degree bends refer to next pages.
- 3) For lug-less connectors, code 01 mounting, specify contact row code 1 or 2.
- 4) For details of the mounting options refer to page 3 & page 4.

845/895 SERIES



High Temp Card Edge Connectors 0.100" (2.54mm) Pitch

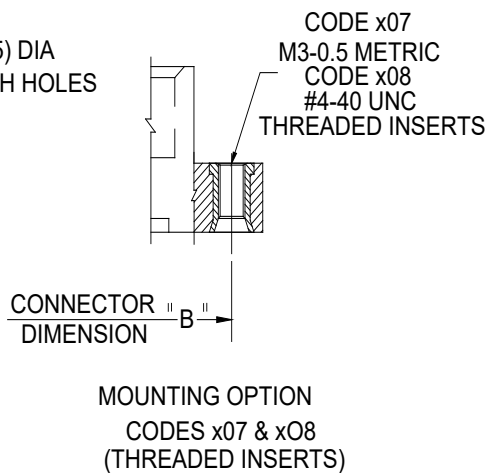
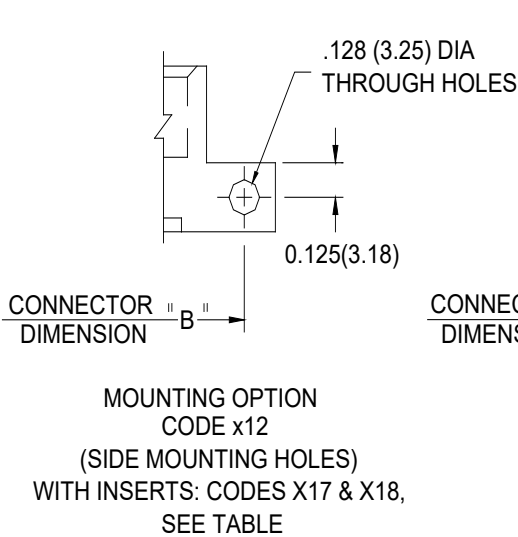
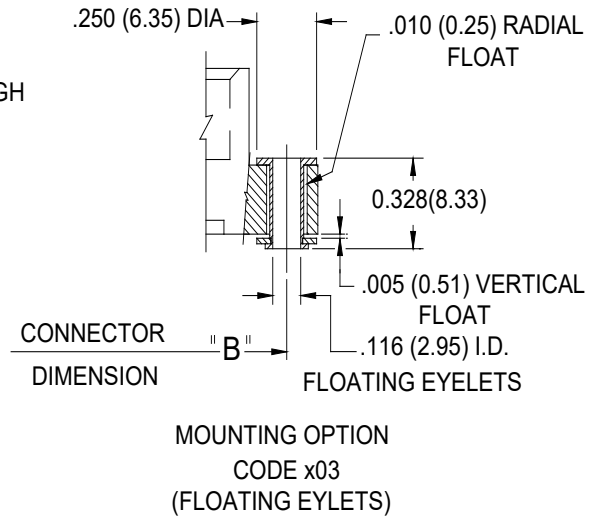
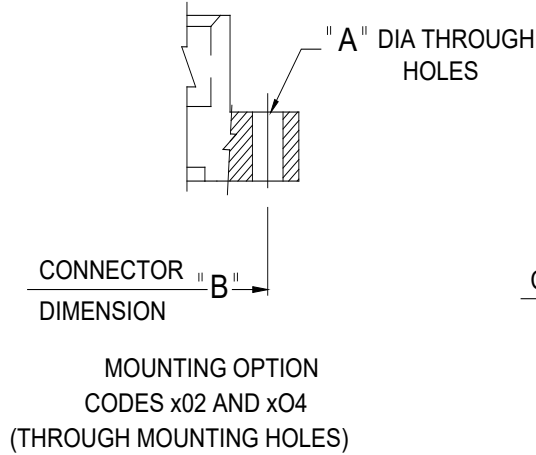
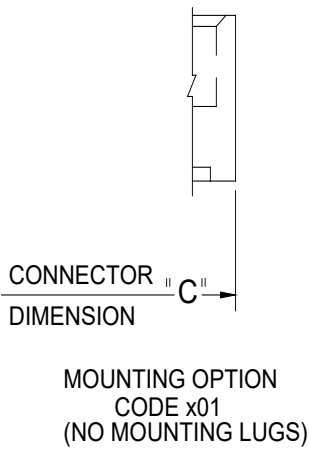


| NUMBER OF CONTACTS | | "A" | | "B" | | "C" | | "D" | | "E" | |
|--------------------|--------|-------|--------|-------|--------|-------|--------|-------|--------|-------|--------|
| Single | Double | Inch | mm | Inch | mm | Inch | mm | Inch | mm | Inch | mm |
| 5 | 10 | 1.306 | 33.92 | 1.022 | 25.96 | 0.746 | 18.96 | 0.600 | 15.24 | 0.400 | 10.16 |
| 10 | 20 | 1.806 | 46.82 | 1.522 | 38.66 | 1.246 | 32.66 | 1.100 | 27.94 | 0.900 | 22.86 |
| 15 | 30 | 2.106 | 54.28 | 1.822 | 48.88 | 1.546 | 39.82 | 1.400 | 35.56 | 1.200 | 30.48 |
| 18 | 36 | 2.306 | 59.82 | 2.022 | 52.36 | 1.746 | 44.36 | 1.600 | 40.64 | 1.400 | 35.56 |
| 18 | 36 | 2.606 | 66.98 | 2.322 | 68.98 | 2.046 | 52.92 | 1.900 | 48.26 | 1.700 | 43.18 |
| 22 | 44 | 3.006 | 76.20 | 2.722 | 69.44 | 2.446 | 62.48 | 2.300 | 58.42 | 2.100 | 53.34 |
| 25 | 50 | 3.306 | 84.82 | 3.022 | 78.76 | 2.746 | 69.76 | 2.600 | 66.04 | 2.400 | 60.96 |
| 30 | 60 | 3.806 | 96.82 | 3.522 | 89.86 | 3.246 | 82.86 | 3.100 | 78.74 | 2.900 | 73.66 |
| 35 | 70 | 3.906 | 99.96 | 3.622 | 92.06 | 3.346 | 84.94 | 3.200 | 81.28 | 3.000 | 76.20 |
| 35 | 70 | 4.406 | 109.88 | 4.022 | 102.06 | 3.846 | 98.06 | 3.800 | 93.98 | 3.500 | 88.96 |
| 38 | 78 | 5.406 | 130.76 | 4.822 | 104.88 | 4.846 | 97.92 | 4.700 | 93.98 | 4.300 | 89.68 |
| 40 | 80 | 5.806 | 129.84 | 5.822 | 122.88 | 5.246 | 133.60 | 5.400 | 129.54 | 4.900 | 104.68 |
| 60 | 120 | 6.806 | 173.82 | 6.522 | 160.06 | 6.246 | 159.06 | 6.100 | 154.94 | 5.900 | 129.86 |
| 72 | 144 | 8.606 | 207.09 | 8.322 | 190.89 | 8.046 | 189.88 | 7.900 | 189.88 | 7.700 | 180.28 |

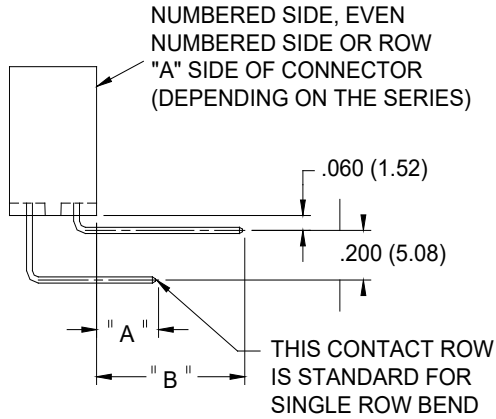
845/895 SERIES



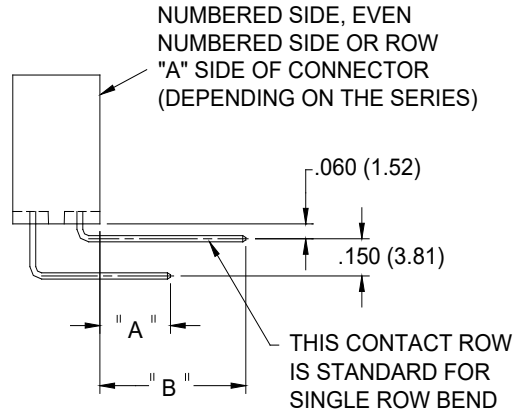
High Temp Card Edge Connectors 0.100" (2.54mm) Pitch



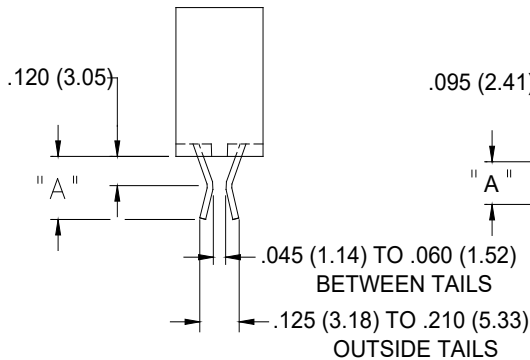
| CODE X02 AND X04- THROUGH MTG. HOLES | | |
|--------------------------------------|----------------|-------------|
| | CODE X02 | CODE X04 |
| "A" DIA. | 0.128(3.25) | 0.156(3.96) |
| CODE X07 AND X08- THREADED INSERTS | | |
| | CODE X07 | CODE X08 |
| INSERT | M3-0.5(METRIC) | #4-40 UNC |
| SIDE MOUNTING HOLES WITH INSERTS | | |
| | CODE X17 | CODE X18 |
| INSERT | M3-0.5(METRIC) | #4-40 UNC |



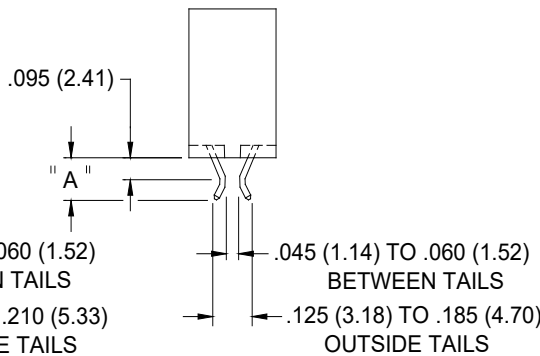
CONTACT CODE 558



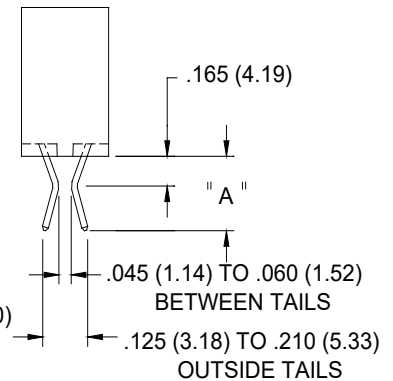
CONTACT CODE 559



CONTACT CODE 555 BEND USES WIRE HOLE CONTACTS



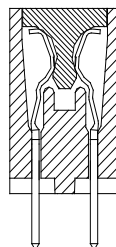
CONTACT CODE 556



CONTACT CODE 560

| MTG. OPTION | A | B |
|-------------|-------------|--------------|
| 555 | 0.245(6.22) | |
| 556 | 0.170(4.32) | |
| 558 | 0.235(5.97) | 0.635(16.13) |
| 559 | 0.285(7.24) | 0.635(16.13) |
| 560 | 0.375(9.53) | |

IN-CONTACT
POLARIZING KEY
P/N 345-240-328



BETWEEN CONTACT
POLARIZING KEY
P/N 345-240-318

