



### Main

Range of Product	Harmony 9001SK
Product or Component Type	Head for spring return push-button
Device short name	9001SK
Operator profile	Recessed, unmarked
Operator additional information	High guard with set of 7 color caps

### Complementary

Mounting diameter	1.18 in (30 mm)
Shape of signaling unit head	Round
Type of operator	Spring return
Net Weight	0.11 lb(US) (0.05 kg)




### Ordering and shipping details

Category	21429 - 9001 SK,SKY
Discount Schedule	CS1
GTIN	3389118036871
Nbr. of units in pkg.	1
Package weight(Lbs)	1.76 oz (49.895 g)
Returnability	Yes
Country of origin	MX

### Packing Units

Unit Type of Package 1	PCE
Package 1 Height	2.00 in (5.08 cm)
Package 1 width	2.30 in (5.842 cm)
Package 1 Length	2.90 in (7.366 cm)

### Offer Sustainability

Sustainable offer status	Green Premium product
California proposition 65	WARNING: This product can expose you to chemicals including: Lead and lead compounds, which is known to the State of California to cause cancer and birth defects or other reproductive harm. For more information go to <a href="http://www.P65Warnings.ca.gov">www.P65Warnings.ca.gov</a>
RECh Regulation	 <a href="#">RECh Declaration</a>
RECh free of SVHC	Yes
EU RoHS Directive	Pro-active compliance (Product out of EU RoHS legal scope)  <a href="#">EU RoHS Declaration</a>
Toxic heavy metal free	Yes
Mercury free	Yes
RoHS exemption information	 Yes

---

China RoHS Regulation	<a href="#">China RoHS Declaration</a>
Environmental Disclosure	<a href="#">Product Environmental Profile</a>
WEEE	The product must be disposed on European Union markets following specific waste collection and never end up in rubbish bins.

---

### Contractual warranty

---

Warranty	18 months
----------	-----------

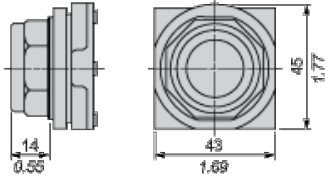
---

---

Dimensions

---

$\frac{\text{mm}}{\text{in.}}$

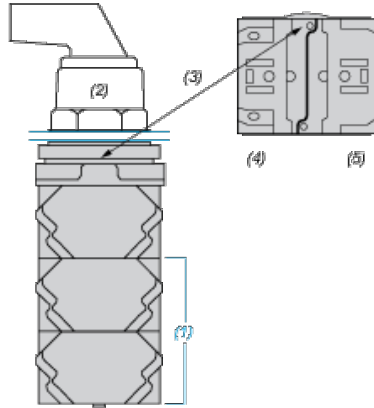


---

Contact Block Mounting Position

---

Top and Rear views



- (1) It is possible to mount up to 3 levels of contacts blocks (maximum of 6 contacts blocks)
- (2) Operator
- (3) Locating notch
- (4) Side 1
- (5) Side 2