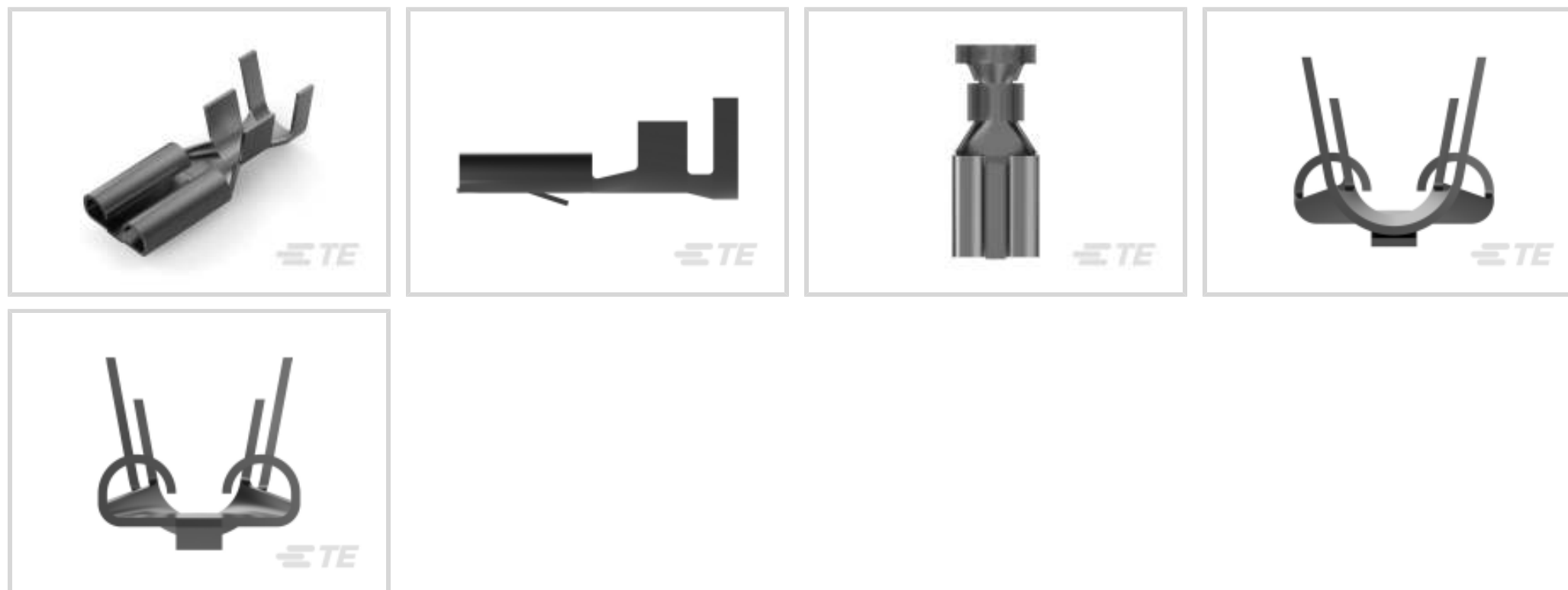




Terminals & Splices > Quick Disconnects



Quick Disconnect Terminal Type: **Receptacle**

Wire Size: **6 – 10 mm²**

Mating Tab Width: **9.53 mm [.375 in]**

Mating Tab Thickness: **1.22 mm [.048 in]**

Features

Product Type Features

Insertion Force	Normal
-----------------	--------

Configuration Features

Connection Capacity	Single
Compatible With Wire & Cable Type	Discrete Wire

Electrical Characteristics

Voltage Rating	250 V
----------------	-------

Contact Features

Quick Disconnect Terminal Type	Receptacle
Mating Tab Width	9.53 mm [.375 in]
Mating Tab Thickness	1.22 mm [.048 in]
Terminal Orientation	Straight
Contact Base Material	Phosphor Bronze
Terminal Plating Material	Tin
Crimp Type	F-Crimp



Barrel Type	Open
-------------	------

Termination Features

Product Terminates To	Wire & Cable
-----------------------	--------------

Mechanical Attachment

Locking Lance Height	1.25 mm
----------------------	---------

Wire Insulation Support	With
-------------------------	------

Mating Retention Type	Locking Lance
-----------------------	---------------

Dimensions

Terminal Material Thickness	.51 mm[.02 in]
-----------------------------	----------------

Product Length	29 mm[1.14 in]
----------------	----------------

Compatible Insulation Diameter Range	5 – 7 mm[.197 – .276 in]
--------------------------------------	--------------------------

Wire Size	6 – 10 mm ²
-----------	------------------------

Usage Conditions

Insulation Option	Uninsulated
-------------------	-------------

Operating Temperature Range	-40 – 110 °C[-40 – 230 °F]
-----------------------------	----------------------------

Industry Standards

UL Flammability Rating	UL 94V-2
------------------------	----------

Packaging Features

Packaging Quantity	1000
--------------------	------

Packaging Method	Strip/Reel
------------------	------------

Other

Terminals & Splices Comment	According to DIN 46340, Part 4
-----------------------------	--------------------------------

Product Compliance

[For compliance documentation, visit the product page on TE.com>](#)

EU RoHS Directive 2011/65/EU	Compliant
------------------------------	-----------

EU ELV Directive 2000/53/EC	Compliant
-----------------------------	-----------

China RoHS 2 Directive MIIT Order No 32, 2016	No Restricted Materials Above Threshold
---	---

EU REACH Regulation (EC) No. 1907/2006	Current ECHA Candidate List: JUNE 2023 (235) Candidate List Declared Against: JAN 2023 (233) Does not contain REACH SVHC
--	--



Halogen Content	Low Halogen - Br, Cl, F, I < 900 ppm per homogenous material. Also BFR/CFR/PVC Free
Solder Process Capability	Not applicable for solder process capability

Product Compliance Disclaimer

This information is provided based on reasonable inquiry of our suppliers and represents our current actual knowledge based on the information they provided. This information is subject to change. The part numbers that TE has identified as EU RoHS compliant have a maximum concentration of 0.1% by weight in homogenous materials for lead, hexavalent chromium, mercury, PBB, PBDE, DBP, BBP, DEHP, DIBP, and 0.01% for cadmium, or qualify for an exemption to these limits as defined in the Annexes of Directive 2011/65/EU (RoHS2). Finished electrical and electronic equipment products will be CE marked as required by Directive 2011/65/EU. Components may not be CE marked. Additionally, the part numbers that TE has identified as EU ELV compliant have a maximum concentration of 0.1% by weight in homogenous materials for lead, hexavalent chromium, and mercury, and 0.01% for cadmium, or qualify for an exemption to these limits as defined in the Annexes of Directive 2000/53/EC (ELV). Regarding the REACH Regulation, the information TE provides on SVHC in articles for this part number is based on the latest European Chemicals Agency (ECHA) 'Guidance on requirements for substances in articles' posted at this URL: <https://echa.europa.eu/guidance-documents/guidance-on-reach>

Compatible Parts



TE Part # 151667-2
 FF 375 REC 4-6MM2 TPBR



TE Part # 280074-2
 FF 375 TAB 6-10MM2 PTBR



TE Part # 151667-4
 FF 375 REC TERMINAL 11-10 AWG PBR



TE Part # 170268-2
 FF 375 REC 6-10MM2 TPBR



TE Part # 2-2150321-2
 OCEAN_2.0_Applicator-E-180F300F



TE Part # 2150321-2
 OCEAN_2.0_Applicator-E-180F300F



TE Part # 7-2150321-2
 OCEAN_2.0_Applicator-E-180F300F



TE Part # 7-2150321-7
 OCEAN_2.0_SPARE_PART_KIT-180F300F



TE Part # 880003-4
 FF 375 REC 2.5-4.0 MM2 .508X25.65 TPPHBZ

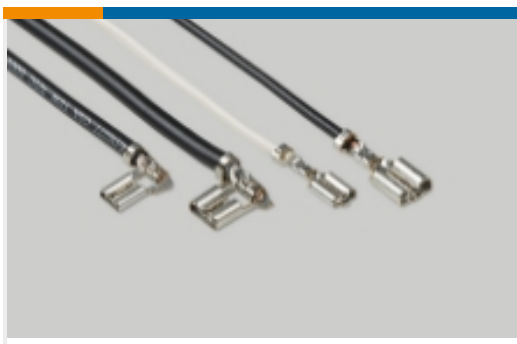
Also in the Series | **FASTIN-FASTON 375**



Crimp Terminal Housings(9)



Insertion & Extraction Tools(1)

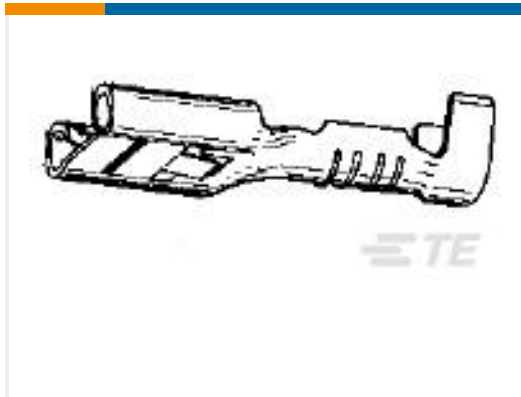


Quick Disconnects(20)

Customers Also Bought



TE Part #T4113001031-000
 M12,MALE,RA,A CODE,3P,PG7,GOLD



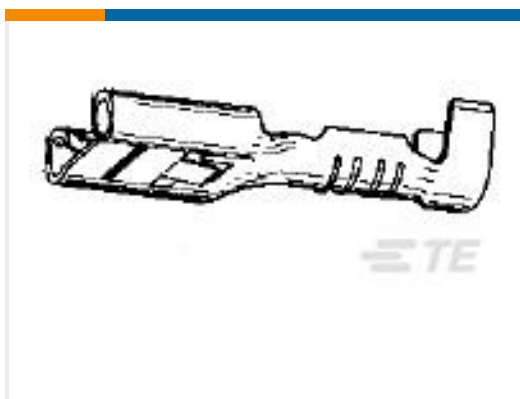
TE Part #151667-2
 FF 375 REC 4-6MM2 TPBR



TE Part #42281-1
 FF 250 REC 18-14AWG BR



TE Part #2-34152-2
 PG R 22-16 COMM 22-18 MIL 3/8



TE Part #280755-2
 FF 375 REC 6-10MM2 TPBR



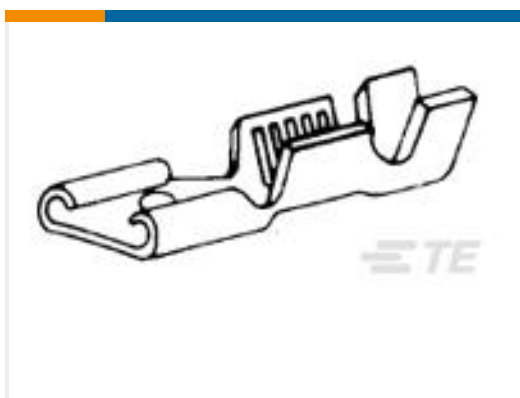
TE Part #1976144-1
 SDE COMMERCIAL HAND TOOL



TE Part #2035334-6
 CONTACT, FEMALE0.64 ,0.35SQMM



TE Part #2310223-1
 PROTECTIVE SLEEVE,2POS,PCON12



TE Part #60384-1
 .250 FAST REC IS 1000 BR

Documents

Product Drawings

[FF 375 REC 6-10MM2 TPPB](#)

English

CAD Files

[3D PDF](#)

3D

Customer View Model

[ENG_CVM_CVM_280755-4_L.2d_dxf.zip](#)



English

Customer View Model

[ENG_CVM_CVM_280755-4_L.3d_igs.zip](#)

English

Customer View Model

[ENG_CVM_CVM_280755-4_L.3d_stp.zip](#)

English

By downloading the CAD file I accept and agree to the [Terms and Conditions](#) of use.

Datasheets & Catalog Pages

[1654742_HOUSEHOLD_APPLIANCES_RAST5](#)

English

Product Specifications

[FASTIN-FASTON CONN. .110 INCH, .187 INCH, .250 INCH, .375 INCH SRS.](#)

English

Product Specification

English

Product Environmental Compliance

Product Compliance

English

Product Compliance

English