

PRODUCT NUMBER

10050682-X XX H T LF

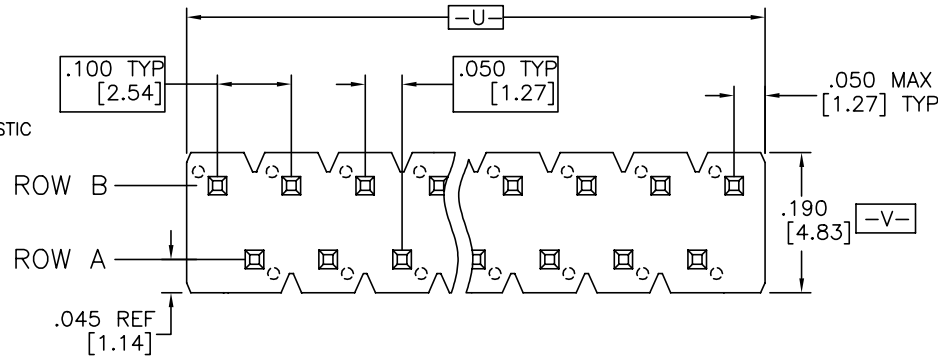
LEAD FREE OPTION  
SPECIAL OPTIONS  
SEE NOTE 7

HIGH TEMPERATURE PLASTIC  
SEE NOTE 1

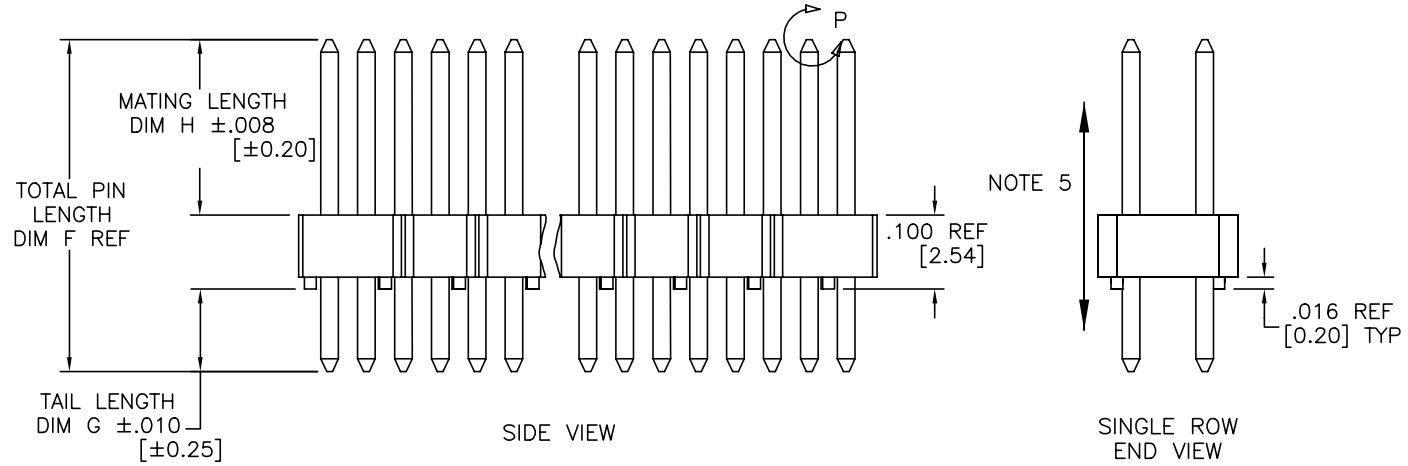
NO. OF POSITIONS  
SEE NOTE 10

PIN PLATING  
SEE SHEET 2

BASE PART NO.



TOP VIEW

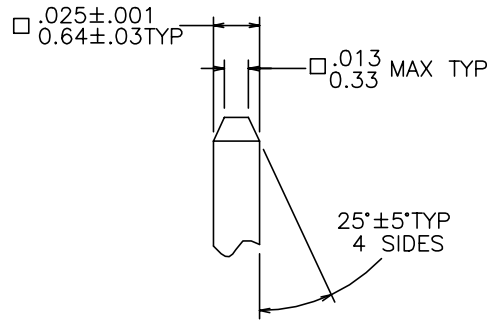


SIDE VIEW

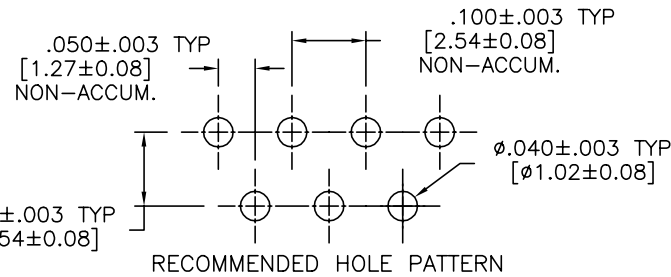
SINGLE ROW END VIEW

⊕ ⌀.020/.51 (M) U (M) V (S)

NOTE 3



DETAIL P  
TYP BOTH ENDS



RECOMMENDED HOLE PATTERN

mat'l. code		surface ISO 1302 ✓		tolerance ISO 406 ISO 1101		projection INCH/MM		product family BERGSTIK	
ltr ecn nodr date		tolerances unless otherwise specified		title		scale 1:1		BERGSTIK® II HEADER .100/2.54cc STAG. ROW	
A	V05-0169	DAI	2/16/05	angles	linea	XX±.01/XX±0.3		dwg no 10050682 sheet 1 of 2 size A3	
B	V05-0251	HTB	3/17/05	0°±2'		XXX±.005/XXX±0.13		type Product Customer Drawing	
C	M05-0098	MHT	5/23/05			XXXX±.0020/XXXX±0.051			
D	M05-0177	MHT	8/11/05	chr	T. BRUNGARD	12/03/04			
E	M06-0271	AGS	7/14/06	engr	H. SUNDY	12/03/04			
F	M08-0279	MHT	9/30/08	chr	H. SUNDY	12/03/04			
G	BL-N-17142	ZK	03/07/14	appd	H. SUNDY	12/03/04			
sheet	revision	G	G	G					
index	sheet	1	2	3					

FCI  
FCIconnect.com

Copyright FCI

PRODUCT NUMBER	TOTAL PIN LENGTH		TAIL LENGTH		MATING LENGTH		NO. OF PINS ROW A	NO. OF PINS ROW B	PACKAGING	DWG TUBE
	DIM F	DIM F	DIM G	DIM G	DIM H	DIM H				
	ENGLISH	METRIC	ENGLISH	METRIC	ENGLISH	METRIC				
10050682-X23H	0.661	16.79	0.082	2.08	0.479	12.16	11	12	TUBES	337144
10050682-X23HLF	0.661	16.79	0.082	2.08	0.479	12.16	11	12	TUBES	337144

PIN PLATING CODES:	
XXXXXXXX-4YY	120u"/3.05u MIN 93/7 SnPb OVER 50u"/1.27u MIN Ni
XXXXXXXX-4YYLF	100u"/2.54u MIN TIN OVER 50u"/1.27u MIN Ni

NOTES

- ① BODY MATERIAL :  
FOR HIGH-TEMPERATURE APPLICATIONS, SPECIFY AN "H" AT THE END OF THE PART NUMBER, PCT WILL BE SUPPLIED. FLAME RETARDENT PER UL94V-0.  
OR  
MINERAL FILLED LCP FLAME RETARDENT PER UL-94V-0. COLOR: BLACK.
- ② PIN MATERIAL : BRASS.
- ③ MEASURED WITH PART IN RESTRAINED CONDITION.
- 4. TWO SIDES OF PIN TIPS NOT PLATED. TYPICAL BOTH ENDS.
- ⑤ 2LBS/0.9KG MIN PIN RETENTION IN EITHER DIRECTION.
- 6. PACKAGED IN POLY BAGS.
- ⑦ EIGHT DIGIT PART NUMBERS FOLLOWED BY A "T" ARE PACKAGED IN TUBES. SEE SPECIFIC PART NUMBERS FOR AVAILABILITY.
- 8. MILITARY BERGSTIK HEADER  
P/N XXXXX-YYY-MIL.  
NOT AVAILABLE.
- 9. NOTCH CONFIGURATION WILL VARY PER VENDOR'S DISCRETION.
- ⑩ ANY NUMBER OF POSITIONS IN ROW B FROM 2 THRU 36.  
ROW A WILL HAVE ONE LESS POSITION THAN ROW B.

mat'l. code	surface ISO 1302 ✓	tolerance ISO 406 ISO 1101	projection 	product family BERGSTIK
ltr ecn nodr date	tolerances unless otherwise specified			title BERGSTIK® II HEADER .100/2.54cc STAG. ROW
G	angles 0°±2°	linea XX±.01/XX±.03 XXX±.005/XXX±.013 XXXX±.0020/XXXX±.051	INCH/MM scale 1:1	dwg no 10050682
	dr T. BRUNGARD 12/03/04	engr H. SUNDY 12/03/04	chr H. SUNDY 12/03/04	sheet 2 of 2 size A3
	appd H. SUNDY 12/03/04	type Product Customer Drawing		
sheet index	revision sheet			