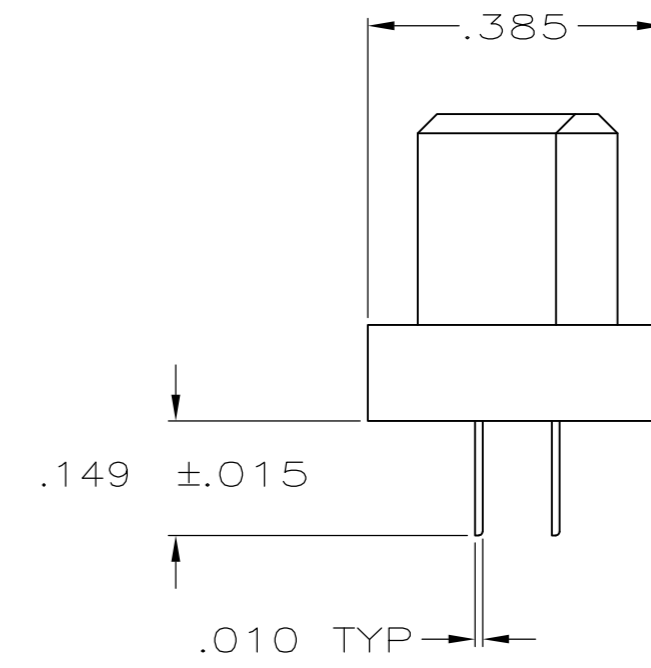
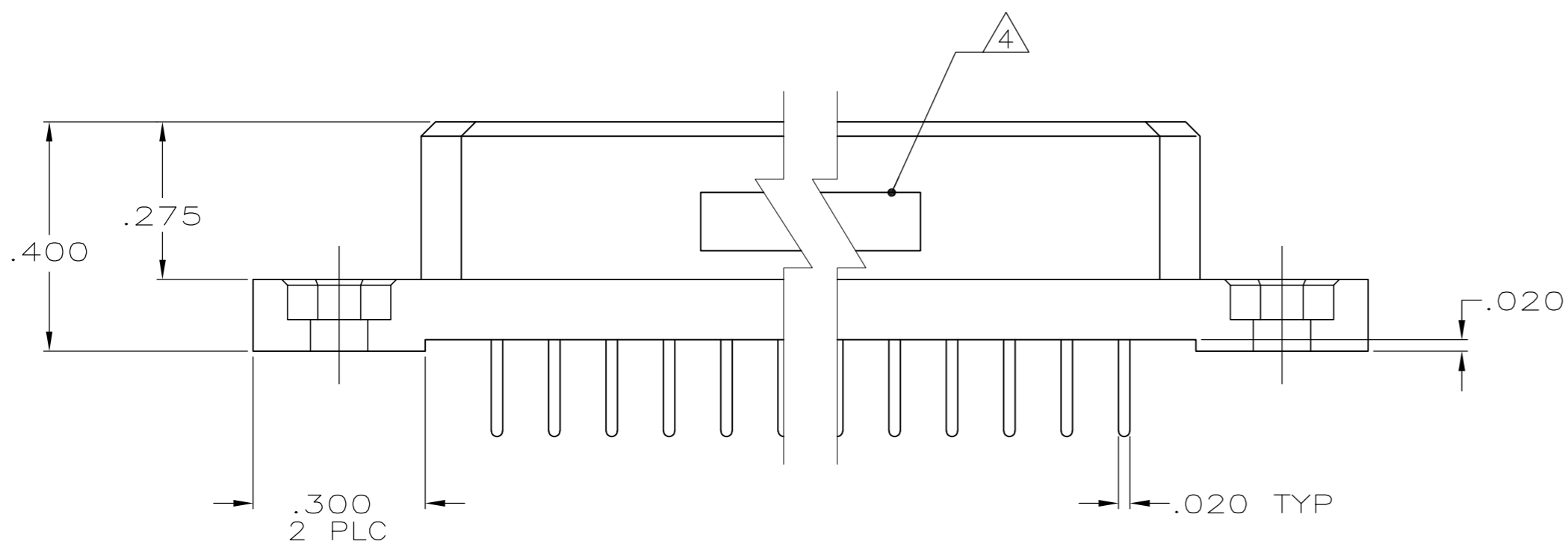
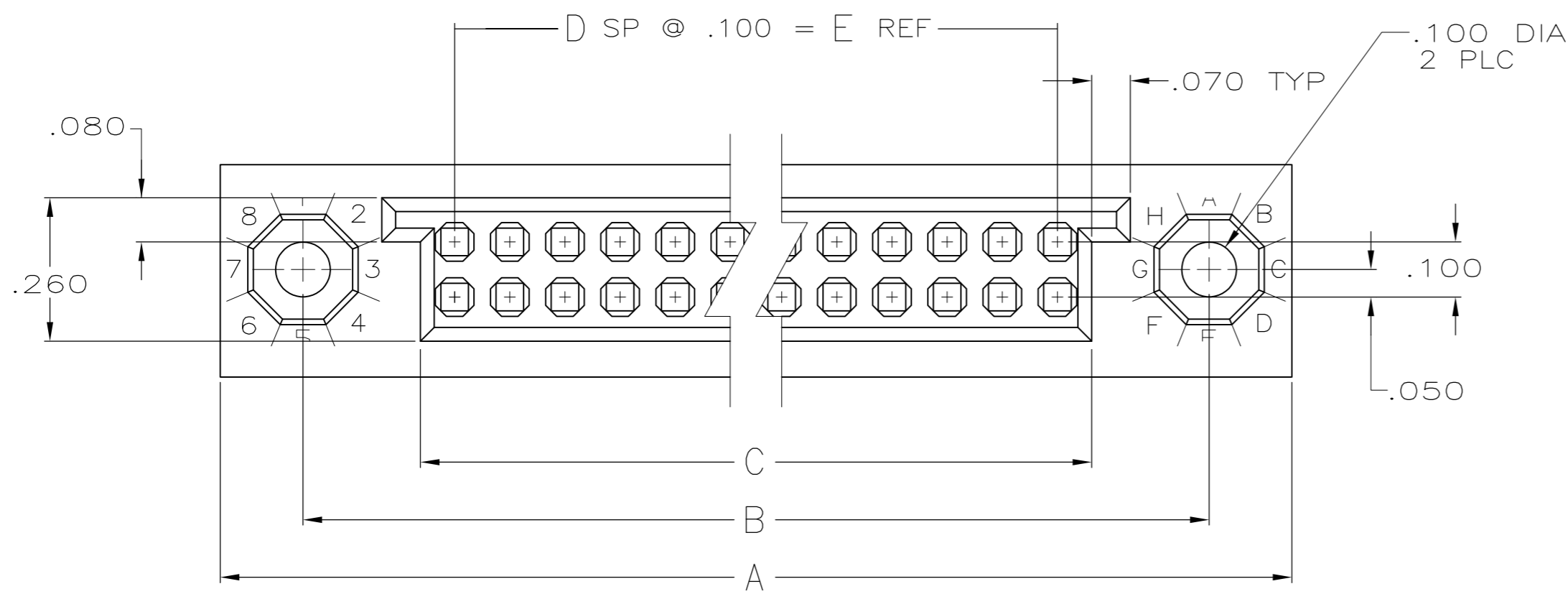


THIS DRAWING IS UNPUBLISHED. RELEASED FOR PUBLICATION
 © COPYRIGHT - By - ALL RIGHTS RESERVED.

LOC		DIST		REVISIONS			
P	LTR	DESCRIPTION		DATE	DWN	APVD	
DF	FO	L	REV PER ECO-12-009804	22JUN12	PY	DM	

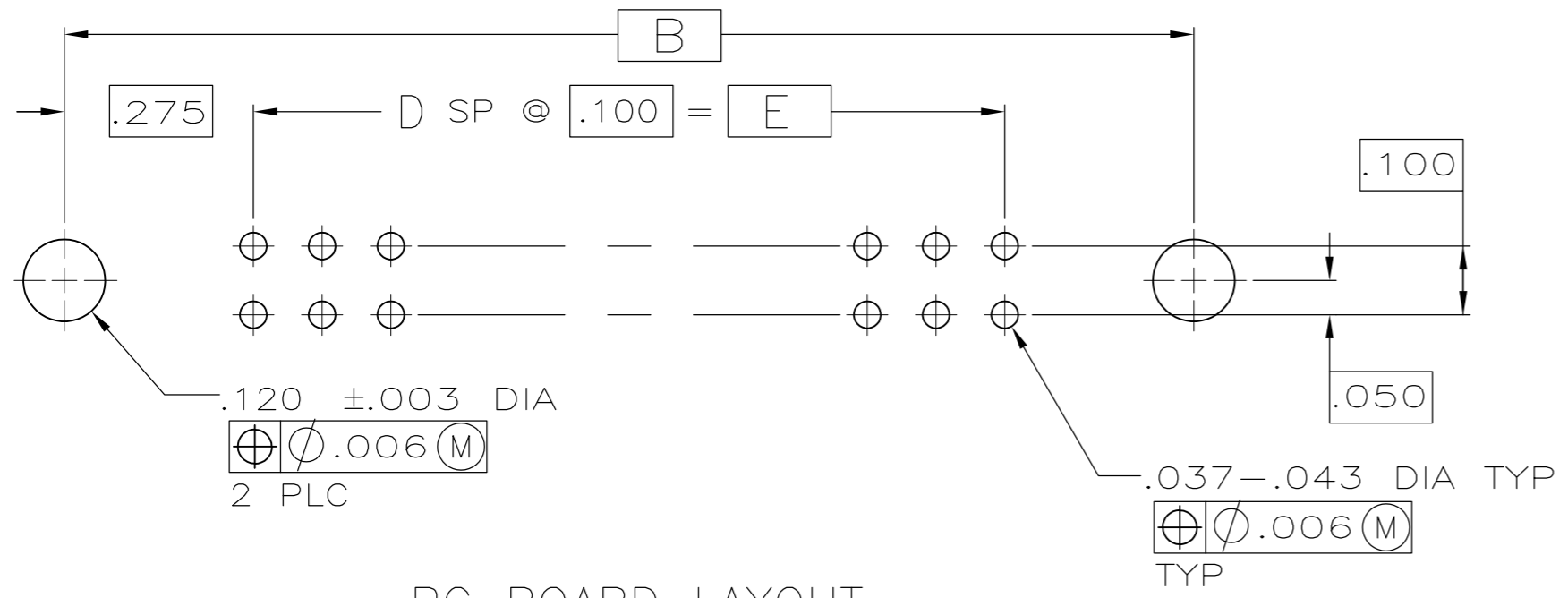


THIS DRAWING IS A CONTROLLED DOCUMENT.		DWN D. EVANS 7/30/85																				
DIMENSIONS: INCHES		CHK D. RUBENDALL 10/29/85																				
TOLERANCES UNLESS OTHERWISE SPECIFIED:		APVD -	NAME D. RUBENDALL																			
<table border="1"> <tr><td>0 PLC</td><td>±</td><td>-</td></tr> <tr><td>1 PLC</td><td>±</td><td>-</td></tr> <tr><td>2 PLC</td><td>±</td><td>.01</td></tr> <tr><td>3 PLC</td><td>±</td><td>.005</td></tr> <tr><td>4 PLC</td><td>±</td><td>-</td></tr> <tr><td>ANGLES</td><td>±</td><td>-</td></tr> </table>		0 PLC	±	-	1 PLC	±	-	2 PLC	±	.01	3 PLC	±	.005	4 PLC	±	-	ANGLES	±	-	PRODUCT SPEC -	BOX II ASSY, 2 ROW, WITH .149 SOLDER TAILS	
0 PLC	±	-																				
1 PLC	±	-																				
2 PLC	±	.01																				
3 PLC	±	.005																				
4 PLC	±	-																				
ANGLES	±	-																				
MATERIAL -		FINISH -	APPLICATION SPEC -	RESTRICTED TO -																		
CUSTOMER DRAWING		WEIGHT -	SIZE A2	CAGE CODE 00779																		
		SCALE 4:1	DRAWING NO C=533289	DRAWING NO 533289																		
		SHEET 1 of 2	REV L																			

THIS DRAWING IS UNPUBLISHED. RELEASED FOR PUBLICATION
 © COPYRIGHT - By - ALL RIGHTS RESERVED.

LOC		DIST		REVISIONS				
P	LTR	DESCRIPTION			DATE	DWN	APVD	
DF	FO	-	-	SEE SHEET 1	-	-	-	

- ① HOUSING MATERIAL: THERMOPLASTIC; COLOR: NATURAL (BROWN).
- ② CONTACT MATERIAL: BERYLLIUM COPPER OR COPPER-NICKEL-SILICON PER UNS C70260.
- ③ CONTACT FINISH: .000050-.000100 NICKEL UNDERPLATE ALL OVER. .000030 GOLD IN CONTACT AREA. TIN-PLATED SOLDER TAILS.
- ④ TE, PART NO & DATE CODE MARKED IN THIS APPROXIMATE AREA.
- ⑤ THIS ASSEMBLY USES LEAD FREE CONTACTS AND IS ROHS COMPLIANT.



PC BOARD LAYOUT

	2.900	29	3.024	3.450	3.750	60	⑤ 5-533289-5
	8.500	85	8.624	9.050	9.350	172	2-533289-0
	9.900	99	10.024	10.450	10.750	200	1-533289-9
OBSOLETE	9.400	94	9.524	9.950	10.250	190	1-533289-8
OBSOLETE	8.900	89	9.024	9.450	9.750	180	1-533289-7
OBSOLETE	8.400	84	8.524	8.950	9.250	170	1-533289-6
OBSOLETE	7.900	79	8.024	8.450	8.750	160	1-533289-5
OBSOLETE	7.400	74	7.524	7.950	8.250	150	1-533289-4
OBSOLETE	6.900	69	7.024	7.450	7.750	140	1-533289-3
OBSOLETE	6.400	64	6.524	6.950	7.250	130	1-533289-2
OBSOLETE	5.900	59	6.024	6.450	6.750	120	1-533289-1
OBSOLETE	5.400	54	5.524	5.950	6.250	110	1-533289-0
OBSOLETE	4.900	49	5.024	5.450	5.750	100	533289-9
OBSOLETE	4.400	44	4.524	4.950	5.250	90	533289-8
OBSOLETE	3.900	39	4.024	4.450	4.750	80	533289-7
OBSOLETE	3.400	34	3.524	3.950	4.250	70	533289-6
	2.900	29	3.024	3.450	3.750	60	533289-5
OBSOLETE	2.400	24	2.524	2.950	3.250	50	533289-4
	1.900	19	2.024	2.450	2.750	40	533289-3
OBSOLETE	1.400	14	1.524	1.950	2.250	30	533289-2
	.900	9	1.024	1.450	1.750	20	533289-1
	E	D	C	B	A	POSN	PART NUMBER

THIS DRAWING IS A CONTROLLED DOCUMENT.		DWN D. EVANS 09/04/85	STE TE Connectivity	
DIMENSIONS: INCHES		CHK D. RUBENDALL 10/29/85		
TOLERANCES UNLESS OTHERWISE SPECIFIED:		APVD D. RUBENDALL 10/29/85	NAME D. RUBENDALL	
0 PLC ± -		PRODUCT SPEC	BOX II ASSY, 2 ROW, WITH .149 SOLDER TAILS	
1 PLC ± -		APPLICATION SPEC	SIZE A2	CAGE CODE 00779
2 PLC ± .01		FINISH	DRAWING NO C=533289	RESTRICTED TO
3 PLC ± .005			SCALE -	SHEET 2 of 2
4 PLC ± -			REV L	
ANGLES ± -		WEIGHT -	CUSTOMER DRAWING	
MATERIAL				