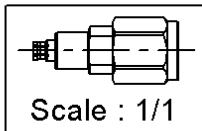
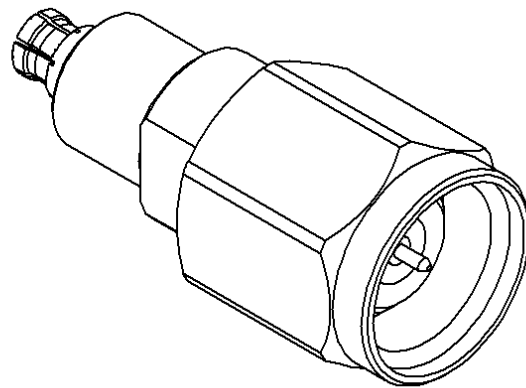
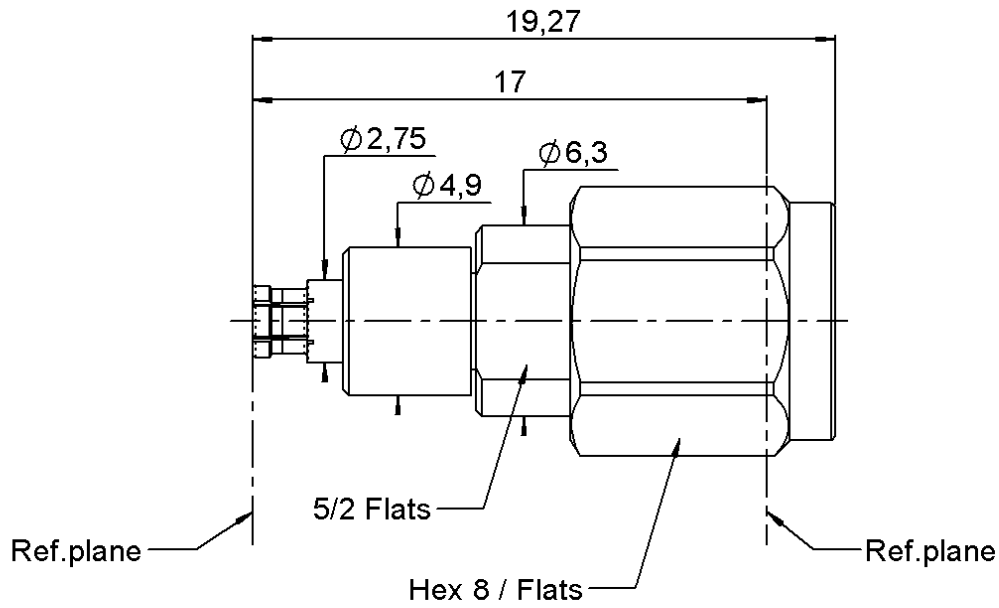


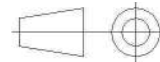
2.4MM MALE - SMPM FEMALE ADAPTER

R191.563.000

Série : ADAPT



All dimensions are in mm.



COMPONENTS	MATERIALS	PLATING (µm)
BODY	BERYLLIUM COPPER	GOLD 1.3 OVER NICKEL 2
CENTER CONTACT	BERYLLIUM COPPER	OR 1.3 OVER NICKEL PHOSPHORUS 2
OUTER CONTACT	-	-
INSULATOR	PEEK	-
GASKET	-	-
OTHERS PARTS	STAINLESS STEEL	PASSIVATED
-	-	-
-	-	-

Issue : 1329 B

In the effort to improve our products, we reserve the rights to make changes judged to be necessary.



DRAFT

2.4MM MALE - SMPM FEMALE ADAPTER

R191.563.000

Série : ADAPT

PACKAGING

SPECIFICATION

Standard	Unit	Other
1		Contact us

ELECTRICAL CHARACTERISTICS

ENVIRONMENTAL

Impedance		50 Ω
Frequency		0-40 GHz
VSWR	1.05 +	0,0100 x F(GHz) Maxi
Insertion loss		0.12 √F(GHz) dB Maxi
RF leakage	- (NA - F(GHz)) dB Maxi
Voltage rating		335 Veff Maxi
Dielectric withstanding voltage		500 Veff mini
Insulation resistance		5000 MΩ mini

Operating	-65/+165 °C
Hermetic seal	NA Atm.cm3/s
Panel leakage	NA

MECHANICAL CHARACTERISTICS

OTHER CHARACTERISTICS

Center contact retention		
Axial force – Mating end		6.7 N mini
Axial force – Opposite end		6.7 N mini
Torque		NA N.cm mini
Recommended torque		
Mating	2.4MM	95 N.cm
	SMPM	0 N.cm
		0 N.cm
Panel nut		NA N.cm
Mating life		500 Cycles mini
Weight		3,7600 g

Issue : 1329 B

In the effort to improve our products, we reserve the rights to make changes judged to be necessary.

RADIALL 

DRAFT