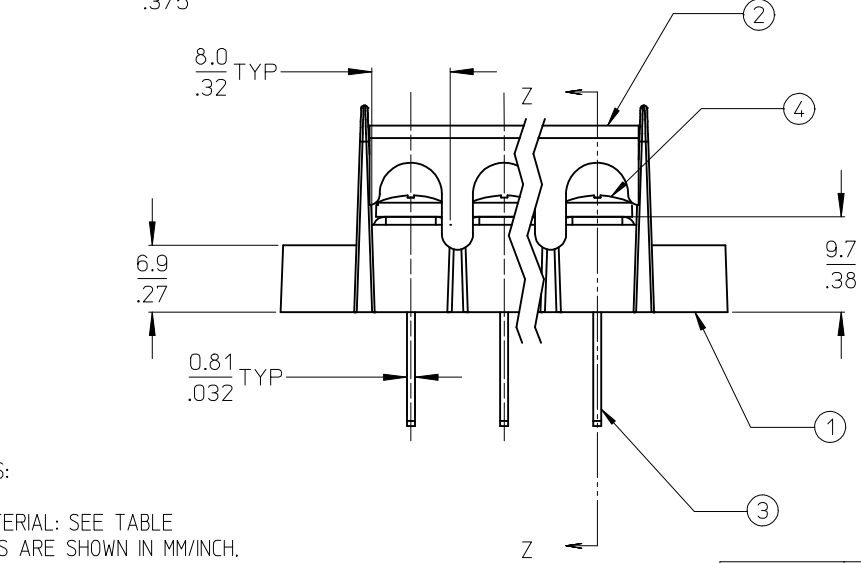
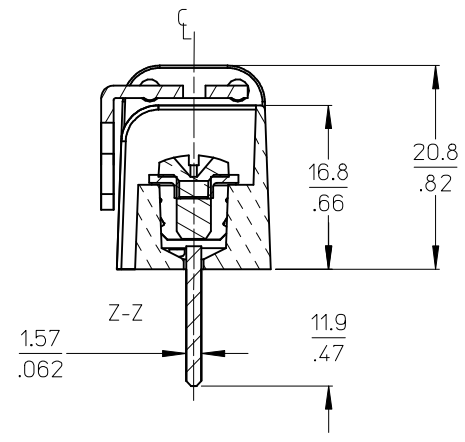


3 CIRCUIT SHOWN WITH COVER ROTATED 45°



NOTES:

- 1. MATERIAL: SEE TABLE
- 2. DIMS ARE SHOWN IN MM/INCH.
- 3. "XX" REFERS TO QUANTITY OF CIRCUITS.
- 4. ROHS COMPLIANT.

5	XX	SCREW&WASHER, #6-32X.250, PAN, PH/SL (-50 OPT)	STEEL	ZN, CLEAR CHROMATE
4	XX	SCREW, #6-32X.250, BHD, PH/SL (STD.)	STEEL	ZN, CLEAR CHROMATE
3	XX	TERM WIRE WRAP 6C	BRASS	TIN PLATE
2	1	COVER, HINGE	POLYESTER (PBT)	BLACK
1	1	INSULATOR, SR, PC, CS, H W/MTG.	POLYESTER (PBT)	BLACK
ITEM	QTY.	DESCRIPTION	MATERIAL	FINISH

RELEASED  
 EC NO: WNA2009-0832  
 DRWN: ENC INAS 2009/07/13  
 CHKD: C'YORK 2009/07/17  
 APPR: JMACNE IL 2009/07/17

QUALITY SYMBOLS  
 ▽=0  
 ▽=0

GENERAL TOLERANCES (UNLESS SPECIFIED)	
4 PLACES	± --- ± ---
3 PLACES	± --- ± .005
2 PLACES	± 0.13 ± .01
1 PLACE	± 0.3 ± ---
ANGULAR ± 2°	
DRAFT WHERE APPLICABLE MUST REMAIN WITHIN DIMENSIONS	

DIMENSION STYLE  
**MM/IN**

DRAWN BY DATE  
 J. ENCINAS 2009/07/10

CHECKED BY DATE  
 C. YORK 2009/07/10

APPROVED BY DATE  
 J. MACNEIL 2009/07/10

MATERIAL NO.

SEE CHART

SCALE  
**2:1**

DESIGN UNITS  
**INCH**

THIRD ANGLE PROJECTION

TITLE  
**.375" PCB BTS  
 CLOSED SIDE  
 W/HINGED COVER**

**molex** MOLEX INCORPORATED

DOCUMENT NO.  
**SD-38729-053**

SHEET NO.  
**1 OF 2**

THIS DRAWING CONTAINS INFORMATION THAT IS PROPRIETARY TO MOLEX INCORPORATED AND SHOULD NOT BE USED WITHOUT WRITTEN PERMISSION

NO. OF CIRCUITS	DIM. "A"		DIM. "B"		DIM. "C"		DIM. "D"		ASSEMBLY MATERIAL NO. (STANDARD)	ASSEMBLY MATERIAL NO. (-50 OPT)	INSULATOR MATERIAL NO.	COVER MATERIAL NO.
	mm	in	mm	in	mm	in	mm	in				
02	40.1	1.58	9.53	0.375	28.58	1.125	21.1	0.83			397280102	397282135
03	49.7	1.96	19.05	0.750	38.10	1.500	30.7	1.21			397280103	397282136
04	59.2	2.33	28.58	1.125	47.63	1.875	40.2	1.58		387291500	397280104	397282137
05	68.7	2.71	38.10	1.500	57.15	2.250	49.7	1.96			397280105	397282138
06	78.2	3.08	47.63	1.875	66.68	2.625	59.2	2.33	387291361	387291081	397280106	397282139
07	87.8	3.46	57.15	2.250	76.20	3.000	68.8	2.71	387291648		397280107	397282140
08	97.3	3.83	66.68	2.625	85.73	3.375	78.3	3.08			397280108	397282141
09	106.8	4.21	76.20	3.000	95.25	3.750	87.8	3.46			397280109	397282142
10	116.3	4.58	85.73	3.375	104.78	4.125	97.3	3.83			397280110	397282143
11	125.9	4.96	95.25	3.750	114.30	4.500	106.9	4.21			397280111	397282144
12	135.4	5.33	104.78	4.125	123.83	4.875	116.4	4.58			397280112	397282145
13	144.9	5.71	114.30	4.500	133.35	5.250	125.9	4.96			397280113	397282146
14	154.4	6.08	123.83	4.875	142.88	5.625	135.4	5.33			397280114	397282147
15	164.0	6.46	133.35	5.250	152.40	6.000	145.0	5.71			397280115	397282148

SEE SHEET ONE EC NO: WNA2009-0832 DRAWN: JENCINAS 2009/07/13 CHKD: CYORK 2009/07/17 APPR: JMACEIL 2009/07/17	DESCRIPTION REV A	QUALITY SYMBOLS	GENERAL TOLERANCES (UNLESS SPECIFIED)	DIMENSION STYLE	SCALE	DESIGN UNITS	THIRD ANGLE PROJECTION
		$\nabla=0$ $\nabla=0$	mm INCH	MM/IN	2:1	INCH	.375" PCB BTS CLOSED SIDE W/HINGED COVER MOLEX INCORPORATED SD-38729-053
		4 PLACES ± --- ± ---	DRAWN BY DATE	J. ENCINAS 2009/07/10			
		3 PLACES ± --- ± .005	CHECKED BY DATE	C. YORK 2009/07/10			
		2 PLACES ± 0.13 ± .01	APPROVED BY DATE	J. MACNEIL 2009/07/10			
1 PLACE ± 0.3 ± ---	MATERIAL NO.	SEE CHART					
ANGULAR ± 2 °		DRAFT WHERE APPLICABLE MUST REMAIN WITHIN DIMENSIONS		THIS DRAWING CONTAINS INFORMATION THAT IS PROPRIETARY TO MOLEX INCORPORATED AND SHOULD NOT BE USED WITHOUT WRITTEN PERMISSION		DOCUMENT NO.	SHEET NO.