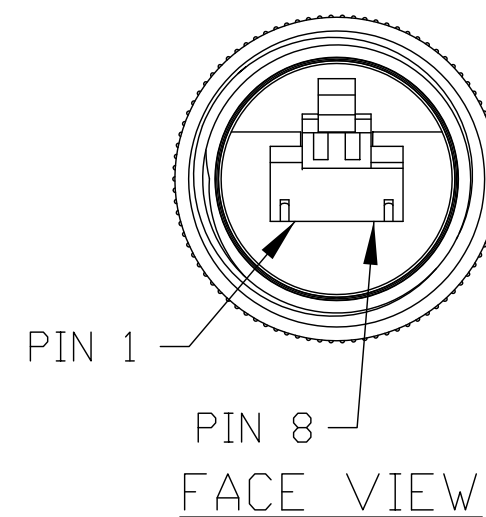
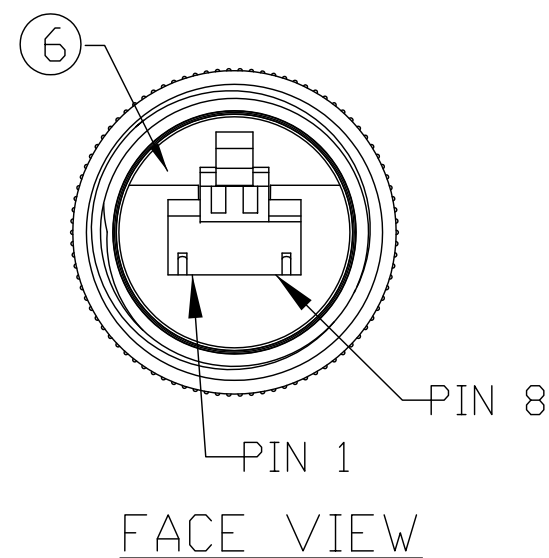
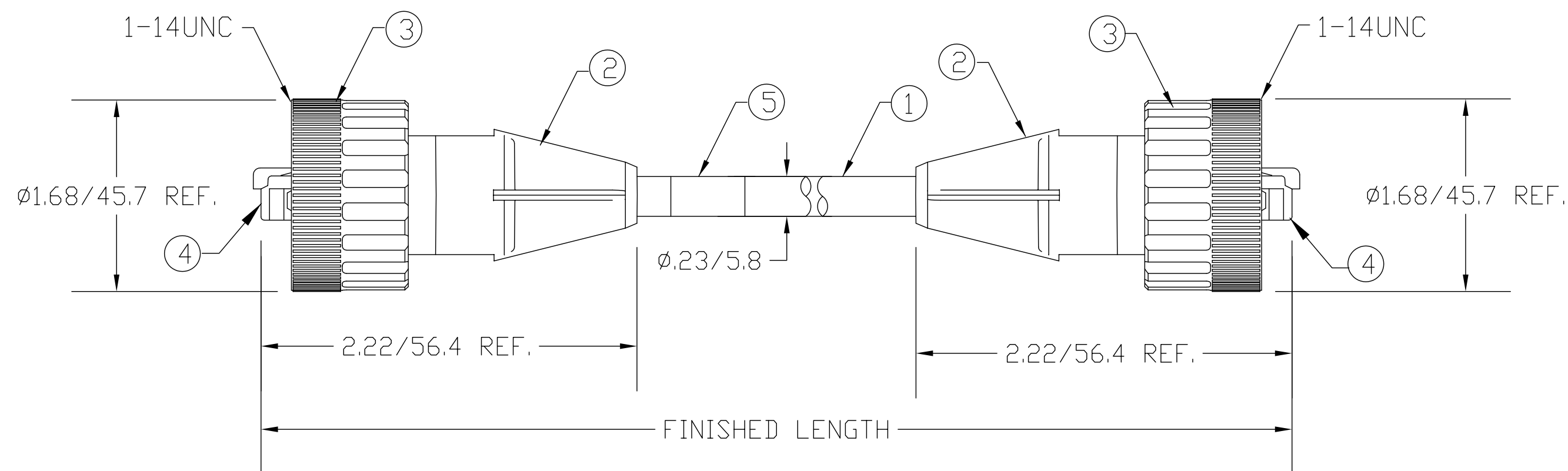
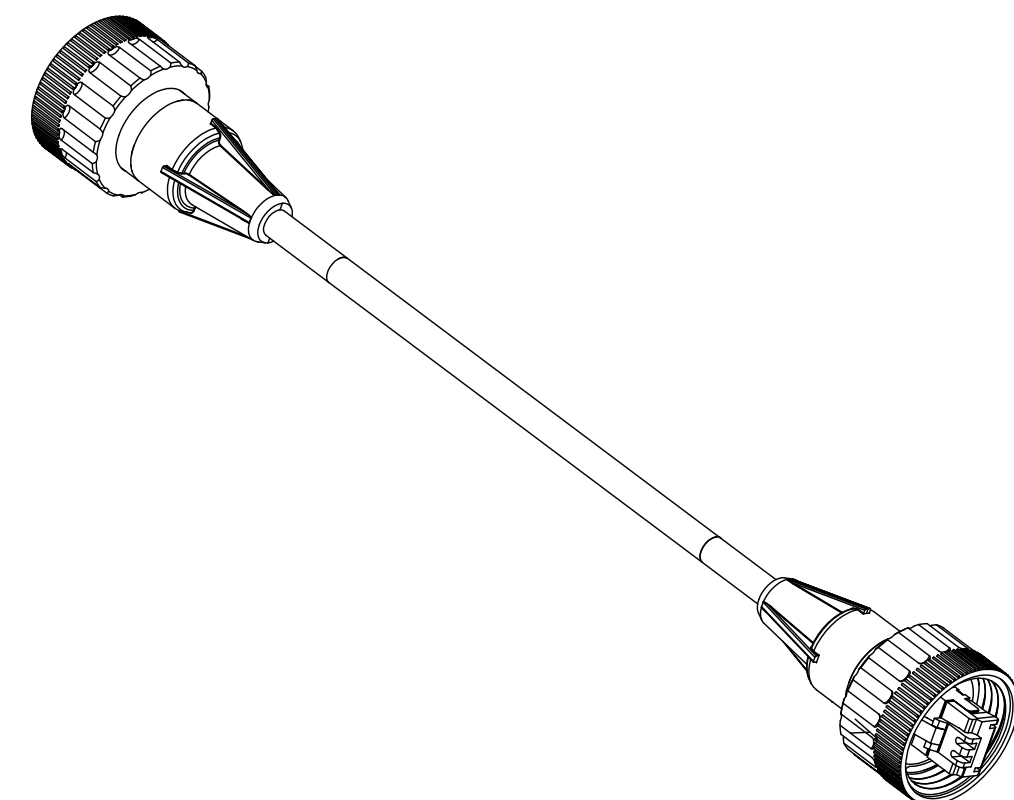


MATERIAL NUMBER	OLD PART NUMBER	FINISHED LENGTH
130050-0076	ENP1115M010	3.28' +2.19" -0 [1.0M +55.6 -0]



1	WHITE/BLUE	1
2	BLUE	2
3	WHITE/ORANGE	3
4	NOT USED	4
5	NOT USED	5
6	ORANGE	6
7	NOT USED	7
8	NOT USED	8
SHD	DRAIN WIRE	SHD

WIRING DIAGRAM

VOLTAGE RATING	125 VDC
AMPERAGE RATING	1.5 AMPS
PROTECTION	IP67
OPERATING TEMPERATURE	-20°C TO 80°C

ITEM	QTY.	DESCRIPTION	MATERIAL	FINISH
6	2	O-RING	VITON	BLACK
5	1	LABEL	PLASTIC FILM	BLACK/YELLOW
4	2	RJ45 PLUG	POLYCARBONATE	CLEAR
3	2	COUPLING NUT	ABS	BLACK
2	2	OVERMOLD	PUR	BLACK
1	1	ETHERNET CABLE-CAT5E	PUR JACKET	BLACK

RLSO DRAWING EC NO: WNA2010-0432 DRWN: TVICKERS 2010/01/14 CH'KD: B.WOODMA APPR: DTITUS 2010/01/15	QUALITY SYMBOL	GENERAL TOLERANCES (UNLESS SPECIFIED)	DIMENSION STYLE	SCALE	DESIGN UNITS	THIRD ANGLE PROJECTION
	$\nabla=0$ $\sphericalangle=0$	4 PLACES ±--- 3 PLACES ±--- 2 PLACES ±0.13 1 PLACE ±0.25	IN/MM mm INCH ±--- ±--- ±.005 ±.010 ±.020 ±.020	DRAWN BY DATE CHECKED BY DATE APPROVED BY DATE	1:1	
	DRAFT WHERE APPLICABLE MUST REMAIN WITHIN DIMENSIONS	ANGULAR ±1/2°	DTITUS 2010/01/15	TITLE <b>RJ-LNXX CORDSET MALE/MALE 10 BASE T PUR CABLE</b>	MOLEX	<b>MOLEX INCORPORATED</b>
	SEE CHART	MATERIAL NO.	DOCUMENT NO.	SHEET NO.	<b>SD-130050-010</b>	

THIS DRAWING CONTAINS INFORMATION THAT IS PROPRIETARY TO MOLEX INCORPORATED AND SHOULD NOT BE USED WITHOUT WRITTEN PERMISSION