

## Features

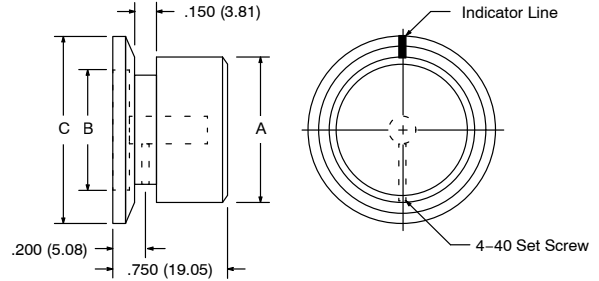
- .750" Dia. type
- Push-to-Turn type eliminates accidental revolution
- Saw cut indicator line located on skirt
- Single 4-40 set screw
- Available in natural aluminum (clear) or black
- Available in matte finish



# KILO DDSPT Series

## Knob – Machined Aluminum, Push-to-Turn Type

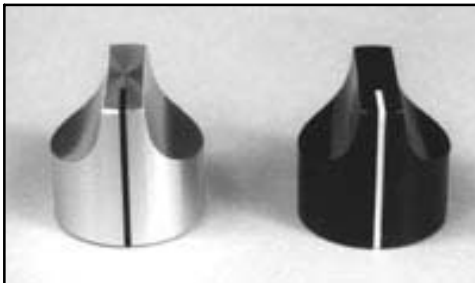
K5



KILO No.	NTE Part No.	Dimensions in inches (mm)				Finish
		Diameter (A)	B	C	Shaft Dia.	
NEW DDSPT-75-3-6	504-0060	.750 (19.05)	.590 (15.0)	1.113 (28.27)	.125 (3.2)	Clear Matte
NEW DDSPT-75-4-6	504-0061	.750 (19.05)	.590 (15.0)	1.113 (28.27)	.125 (3.2)	Black Matte
NEW DDSPT-75-3-5	504-0062	.750 (19.05)	.590 (15.0)	1.113 (28.27)	.250 (6.35)	Clear Matte
NEW DDSPT-75-4-5	504-0063	.750 (19.05)	.590 (15.0)	1.113 (28.27)	.250 (6.35)	Black Matte
NEW DDSPT-75-3-6mm	504-0064	.750 (19.05)	.590 (15.0)	1.113 (28.27)	.236 (6.0)	Clear Matte
NEW DDSPT-75-4-6mm	504-0065	.750 (19.05)	.590 (15.0)	1.113 (28.27)	.236 (6.0)	Black Matte

## Features

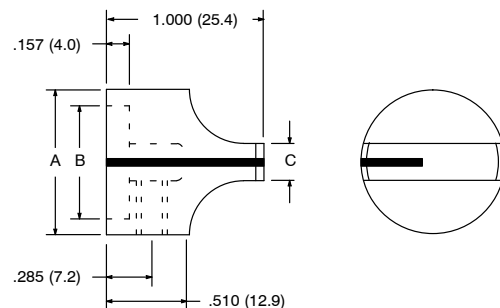
- .500", .750", and .925" Dia. types
- Available in natural aluminum (clear) or black
- Available in matte or gloss finish



# KILO HD Series

## Knob – Machined Aluminum

K4



KILO No.	NTE Part No.	Dimensions in inches (mm)				Finish
		Diameter (A)	B	C	Shaft Dia.	
HD-50-1-6	504-0045	.500 (12.7)	.375 (9.3)	.125 (3.2)	.125 (3.2)	Clear Gloss
HD-50-2-6	504-0046	.500 (12.7)	.375 (9.3)	.125 (3.2)	.125 (3.2)	Black Gloss
HD-50-4-5	504-0047	.500 (12.7)	.375 (9.3)	.125 (3.2)	.250 (6.35)	Black Matte
HD-50-4-6	504-0048	.500 (12.7)	.375 (9.3)	.125 (3.2)	.125 (3.2)	Black Matte
HD-75-2-5	504-0049	.750 (19.05)	.590 (15.0)	.187 (4.7)	.250 (6.35)	Black Gloss
HD-75-2-6	504-0050	.750 (19.05)	.590 (15.0)	.187 (4.7)	.125 (3.2)	Black Gloss
HD-75-4-5	504-0051	.750 (19.05)	.590 (15.0)	.187 (4.7)	.250 (6.35)	Black Matte
HD-90-1-5	504-0052	.925 (23.5)	.708 (17.9)	.250 (6.35)	.250 (6.35)	Clear Gloss
HD-90-2-5	504-0053	.925 (23.5)	.708 (17.9)	.250 (6.35)	.250 (6.35)	Black Gloss
HD-90-4-5	504-0054	.925 (23.5)	.708 (17.9)	.250 (6.35)	.250 (6.35)	Black Matte