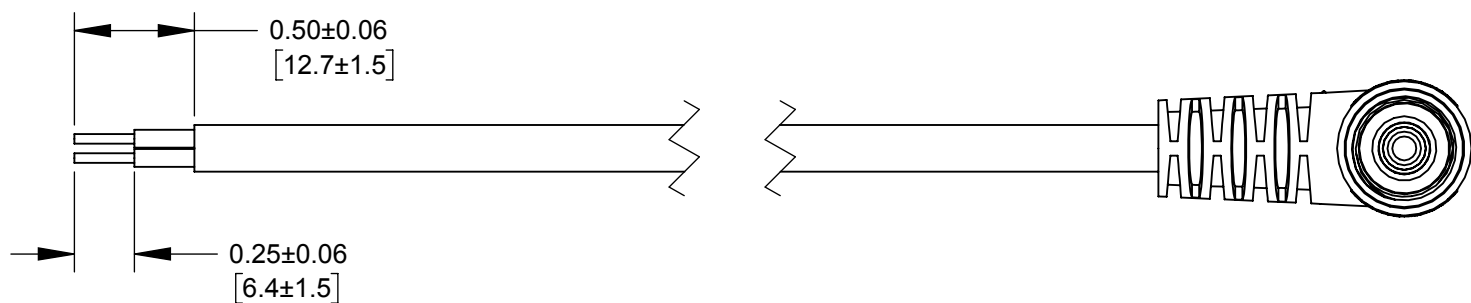
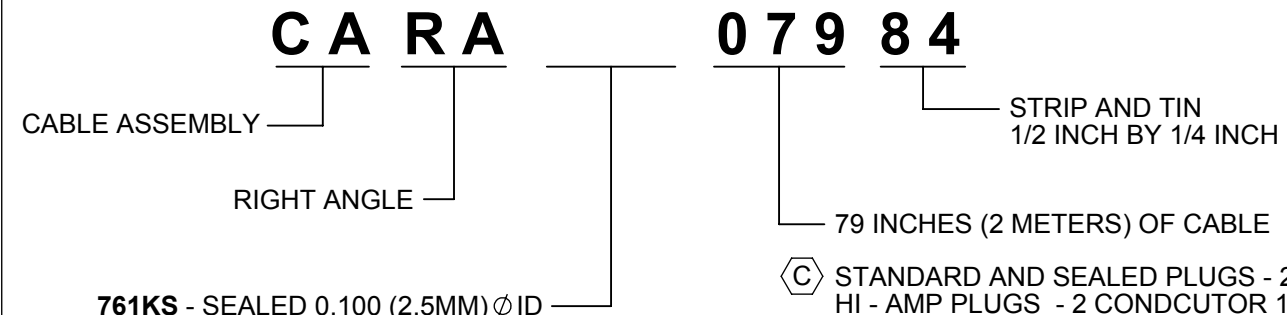


STRIP AND TIN



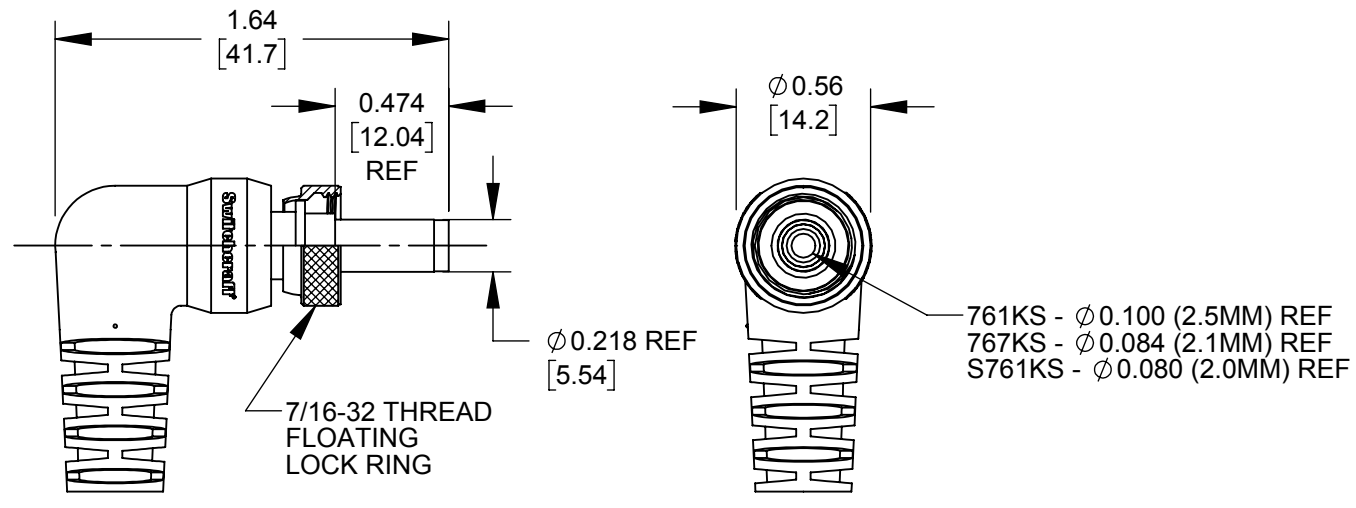
WIRING TABLE	
POWER PLUG	WIRE COLOR
TIP	RED
SLEEVE	BLACK



- 761KS - SEALED 0.100 (2.5MM) ϕ ID
- 767KS - SEALED 0.084 (2.1MM) ϕ ID
- S761KS - SEALED 0.080 (2.0MM) ϕ ID
- S10KS - HI AMP - SEALED 0.080(2.0MM) ϕ ID
- S10 - HI AMP NON-SEALED - 0.080(2.0MM) ϕ ID NON-LOCKING
- 760 - DC POWER PLUG 0.100 (2.5MM) ϕ ID NON-LOCKING
- 762 - DC POWER PLUG 0.084 (2.1MM) ϕ ID NON-LOCKING
- S760 - DC POWER PLUG 0.080 (2.0MM) ϕ ID NON-LOCKING
- 760K - DC POWER PLUG 0.100 (2.5MM) ϕ ID LOCKING
- 761K - DC POWER PLUG 0.100 (2.5MM) ϕ ID LOCKING
- 762K - DC POWER PLUG 0.084 (2.1MM) ϕ ID LOCKING
- 767K - DC POWER PLUG 0.084 (2.1MM) ϕ ID LOCKING
- S760K - DC POWER PLUG 0.080 (2.0MM) ϕ ID LOCKING
- S761K - DC POWER PLUG 0.080 (2.0MM) ϕ ID LOCKING

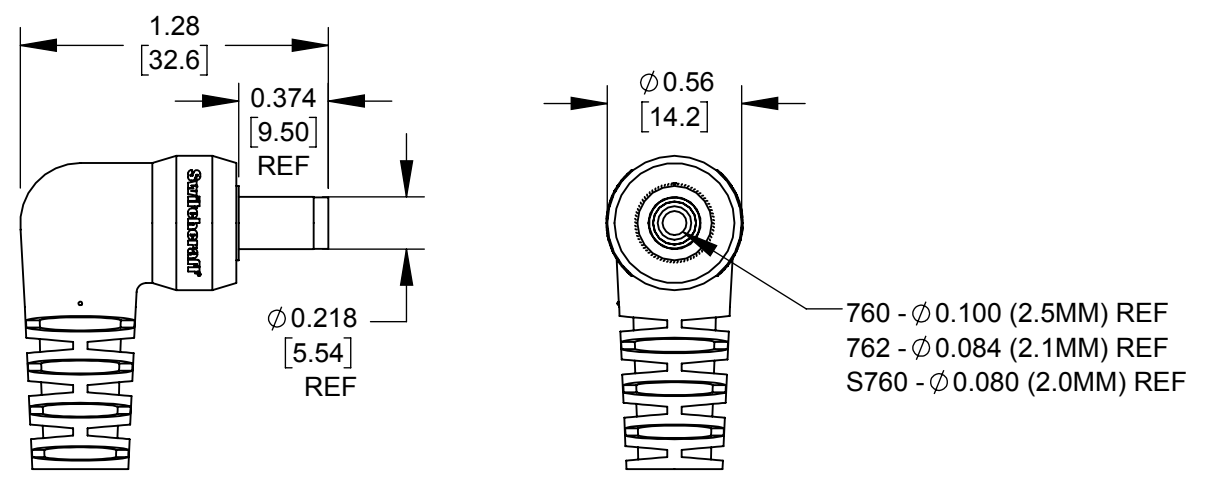
CUSTOMER DRAWING

					THIS DRAWING DESCRIBES A DESIGN CONSIDERED PROPRIETARY IN NATURE, DEVELOPED AND MANUFACTURED BY SWITCHCRAFT INC. AND IS RELEASED ON A CONFIDENTIAL BASIS FOR IDENTIFICATION PURPOSES ONLY.						
					UNLESS OTHERWISE SPECIFIED	SIZE	WIDTH	MULT	LBS/M	TEMPER	
					1. ALL DIMENSIONS IN INCHES [mm]	FINISH				MATERIAL	
					- TWO PLACE DECIMALS ± 0.02 [0.5]	SPEC No.				SPEC No.	
					- THREE PLACE DECIMALS ± 0.005 [0.13]	FIRST USED ON		SCALE		Switchcraft®	
						1.25:1					
C	27930	08-17-17	PC	TJK	DATE DRAWN	BY	CHKD	APVD	SHEET 1 OF 2		
B	27615	11-30-15	TO	TJK	3/19/15	AB	AB	TJK			
A	27477	4/2/15	TJK	TJK			3/19/15	4/2/15			
REV	ECO NUMBER	DATE	BY	APVD	NAME CABLE ASSEMBLY - MOLDED RIGHT ANGLE POWER PLUGS, RoHS					PART No.	REV
REVISIONS					DO NOT SCALE DRAWING					CARA_07984	C



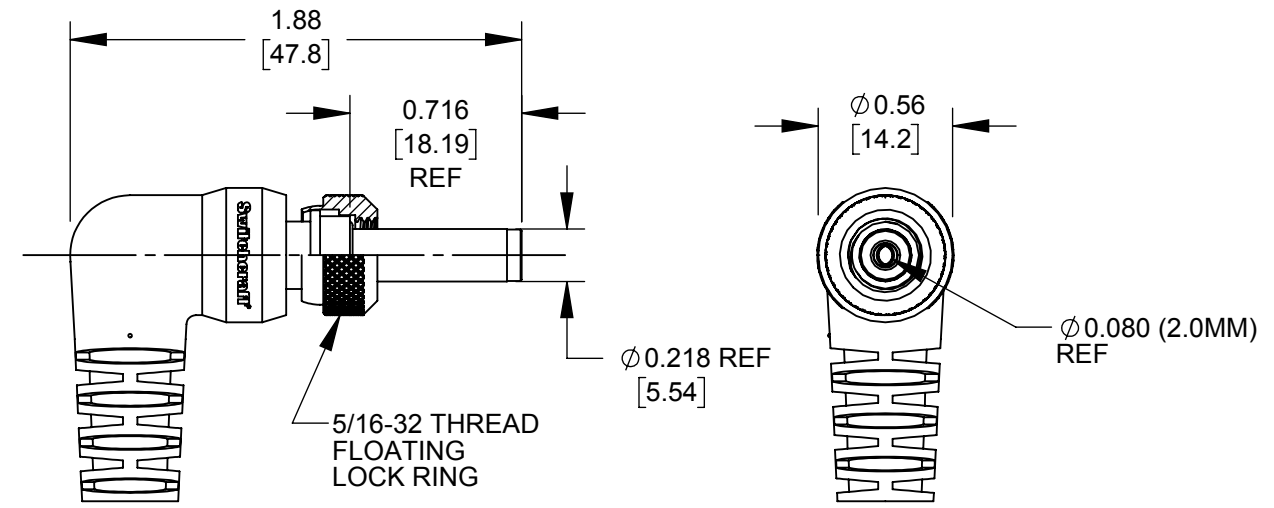
761KS, 767KS, AND S761KS SERIES SEALED PLUGS

- 761KS - ϕ 0.100 (2.5MM) REF
- 767KS - ϕ 0.084 (2.1MM) REF
- S761KS - ϕ 0.080 (2.0MM) REF

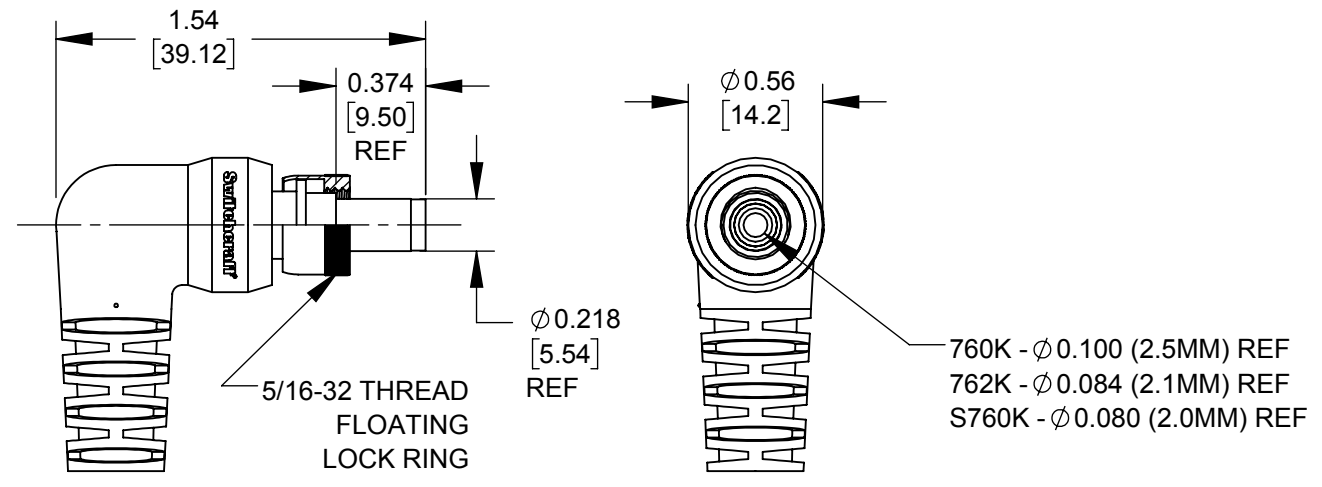


760, 762, AND S760 SERIES NON-LOCKING POWER PLUGS

- 760 - ϕ 0.100 (2.5MM) REF
- 762 - ϕ 0.084 (2.1MM) REF
- S760 - ϕ 0.080 (2.0MM) REF

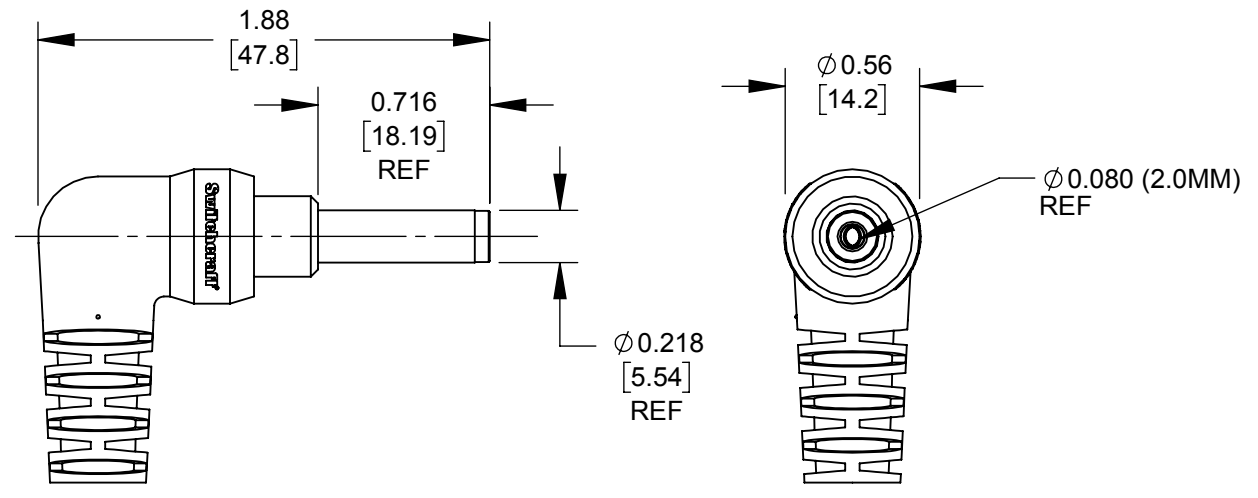


S10KS SERIES SEALED HI-AMP PLUG

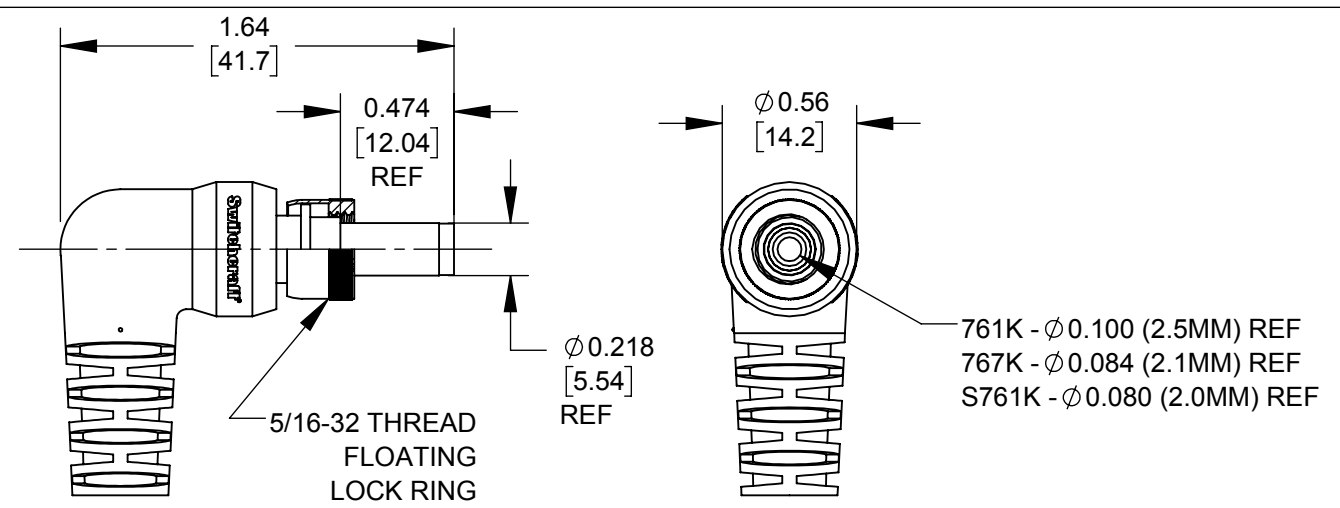


760K, 762K, AND S760K SERIES LOCKING POWER PLUG

- 760K - ϕ 0.100 (2.5MM) REF
- 762K - ϕ 0.084 (2.1MM) REF
- S760K - ϕ 0.080 (2.0MM) REF



S10 SERIES NON-SEALED NON-LOCKING HI-AMP PLUG



761K, 767K, AND S761K SERIES LOCKING POWER PLUGS

CUSTOMER DRAWING

SCALE 1.25:1	Switchcraft [®]	
DATE DRAWN 08/02/17		
DRAWN BY ALM	PART No. CARA 07984	REV C