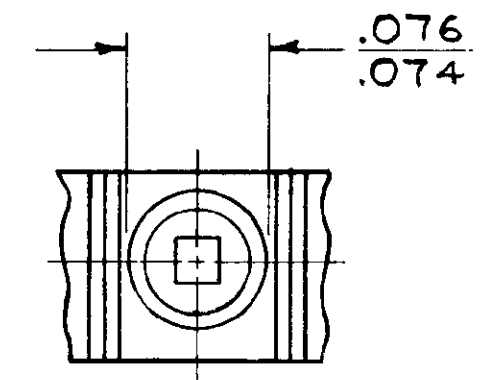
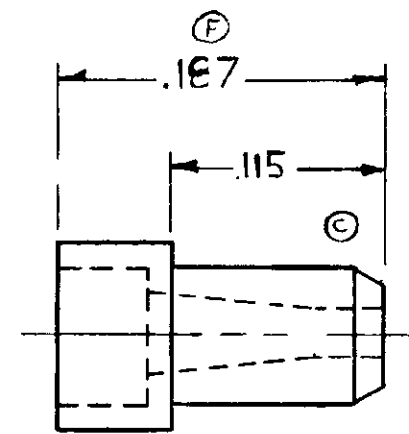
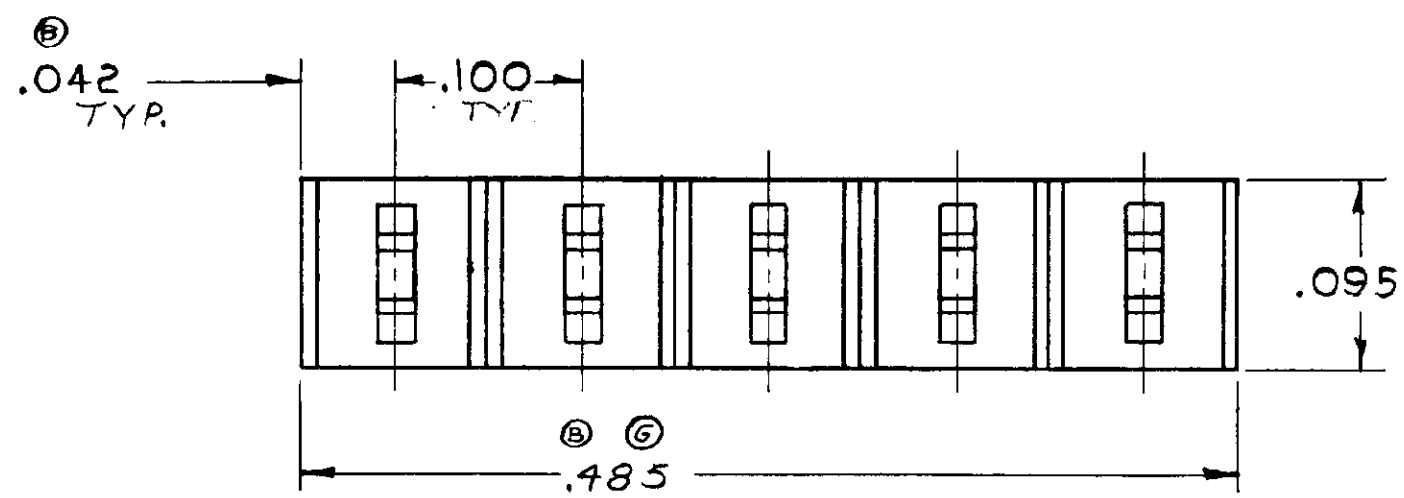
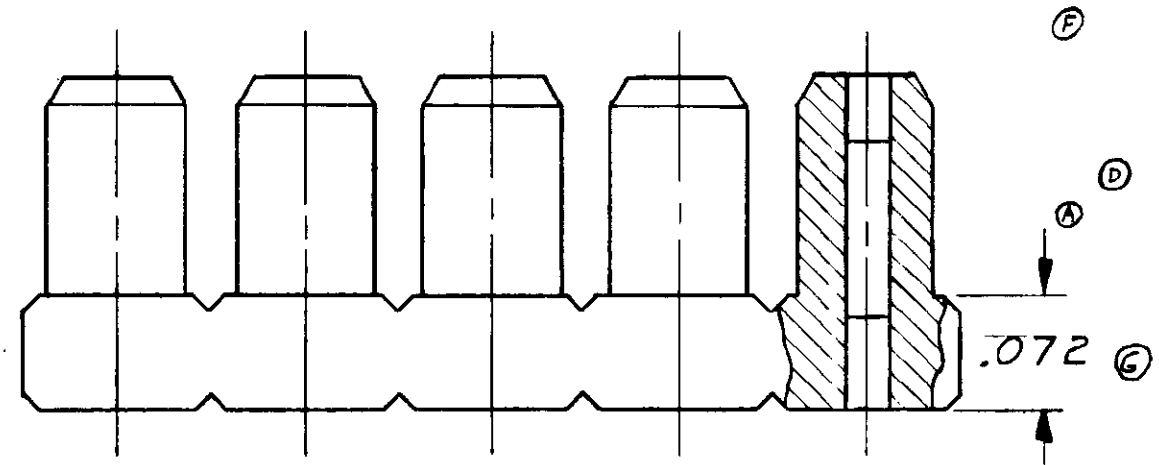


NUMBER 85920

© 1965 BY AMP INCORPORATED. ALL RIGHTS RESERVED. AMP PRODUCTS COVERED BY PATENTS AND/OR PATENTS PENDING. APPROVED PER GOVT CONTRACT NO.

REVISIONS				
SYM	ZONE	DESCRIPTION	DATE	APPROVAL
O		RELEASED WAS N15168-71	8-29-65	L.S.B. J.W.
A		REVISED	W-195 4-30-65	m.S. R.M.
B		REVISED	W-351 6-4-65	m.S. J.M.
C		ADD CHAMFER	W-982 2-4-66	m.S.
D		REVISED	Y-354 4-7-66	m.S. R.M.
E		REVISED - ADD -2 & -3	Y-745 9-7-66	m.S. R.M.
F		REVISED	1161 1-10-67	m.S. J.H.
G	✓	REVISED	2008 2-11-69	m.S. J.H.
H	✓	100% - 2 PER ECN 0690-93	7-93	PAC J.H.



PART NO.	COLOR
85920-1	NATURAL
<del>85920-2</del>	<del>RED</del>
85920-3	BLACK

OBSOLETE

UNLESS OTHERWISE SPECIFIED  
DIMENSIONS ARE IN INCHES  
TOLERANCES ON

FRACTIONS ± #	DECIMALS ± #	ANGLES ± #
------------------	-----------------	---------------

MATERIAL  
ZYTEL 101  
OR EQUIV.

HEAT TREAT  
— # —

AMP INFO AD H 14	QTY REQD	NOMENCLATURE OR DESCRIPTION	PART OR IDENTIFYING NO.	MATERIAL AND PLATING
LIST OF MATERIALS OR PARTS LIST				
SIGNATURE OR <i>C. Osterman</i>		DATE 1/7/65		
CHK <i>R.L. Miller</i>		DATE 3/31/65		
DSGN ENGR <i>C. Snyder</i>		DATE 3/31/65		
APPD <i>B. Smith</i>		DATE 3/31/65		
DSGN APPD		CODE IDENT NO 00779		
OTHER APPD		SIZE B		
		NUMBER 85920		
SCALE 10-1		WT CALC ACTUAL SHEET		



AMP INCORPORATED  
HARRISBURG, PENNSYLVANIA

BUSHING - INSULATOR  
AMP MODU MINIATURE .100 SPACING.