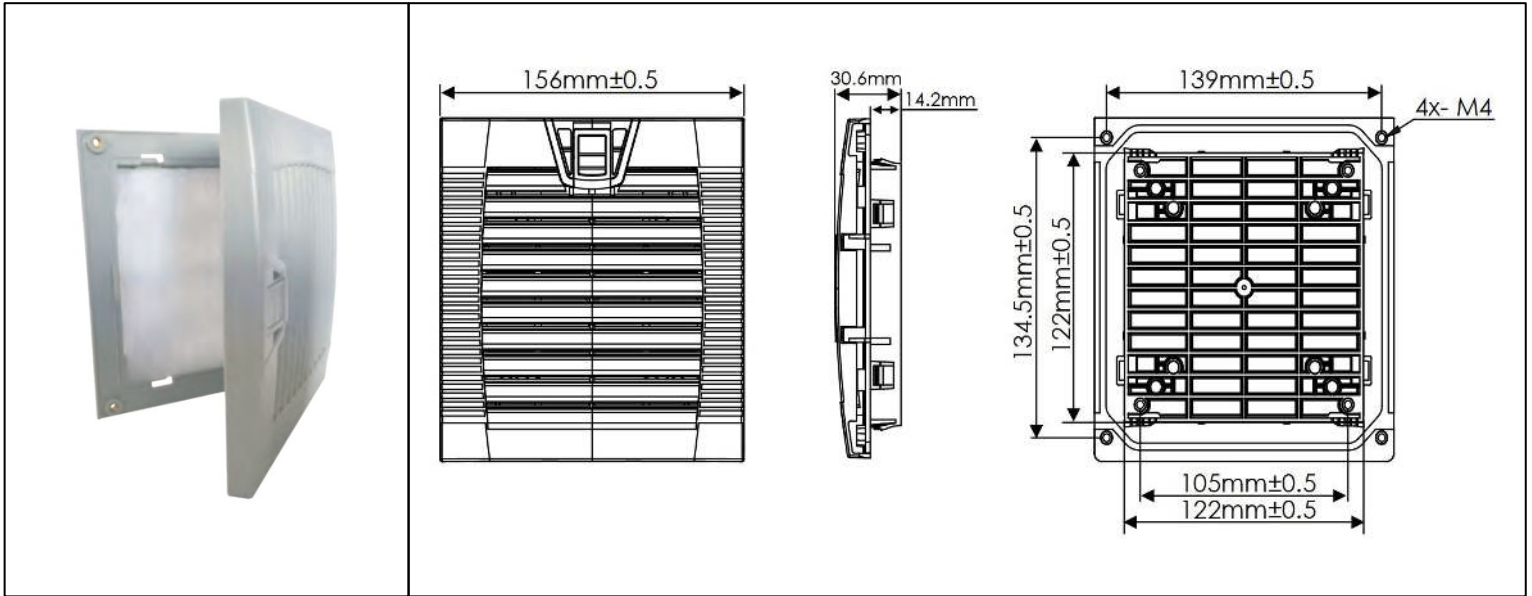


LFGH120



Hinged Louvered Fan Guard



Part Number	LFGH120
Frame Description	ABS Resin, UL94 V-0 Plastic with UV Resistant additive. Louvers at 45° angle. Includes sealing gasket around edge. Protection grade IP44-IP54. Snap-in or Screw Mount.
Filter Mesh Material	Nylon Fiber - Synthetic Resin. Filters >8 Microns.
Color	Gray is standard. Black available upon request, minimums order quantity may apply.
Matching Fan Series	OA109, OA125, OA4715, OD1225, OD1232, OD1238
Included Hardware	1 Bag - 4 ea. M4x8, washer, lock washer. 1 Bag - 4 ea. M4x12, nut, star washer.
Replacement Filter Media Packs	5 Pieces, Part Number LFG120BF/PK

