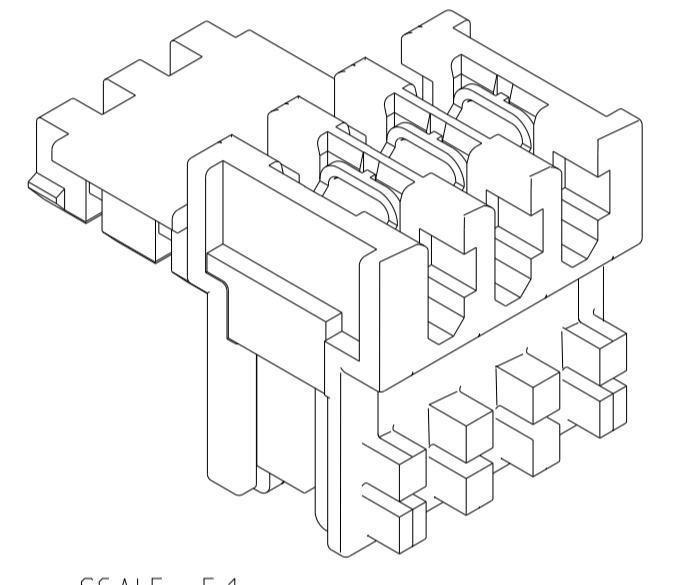
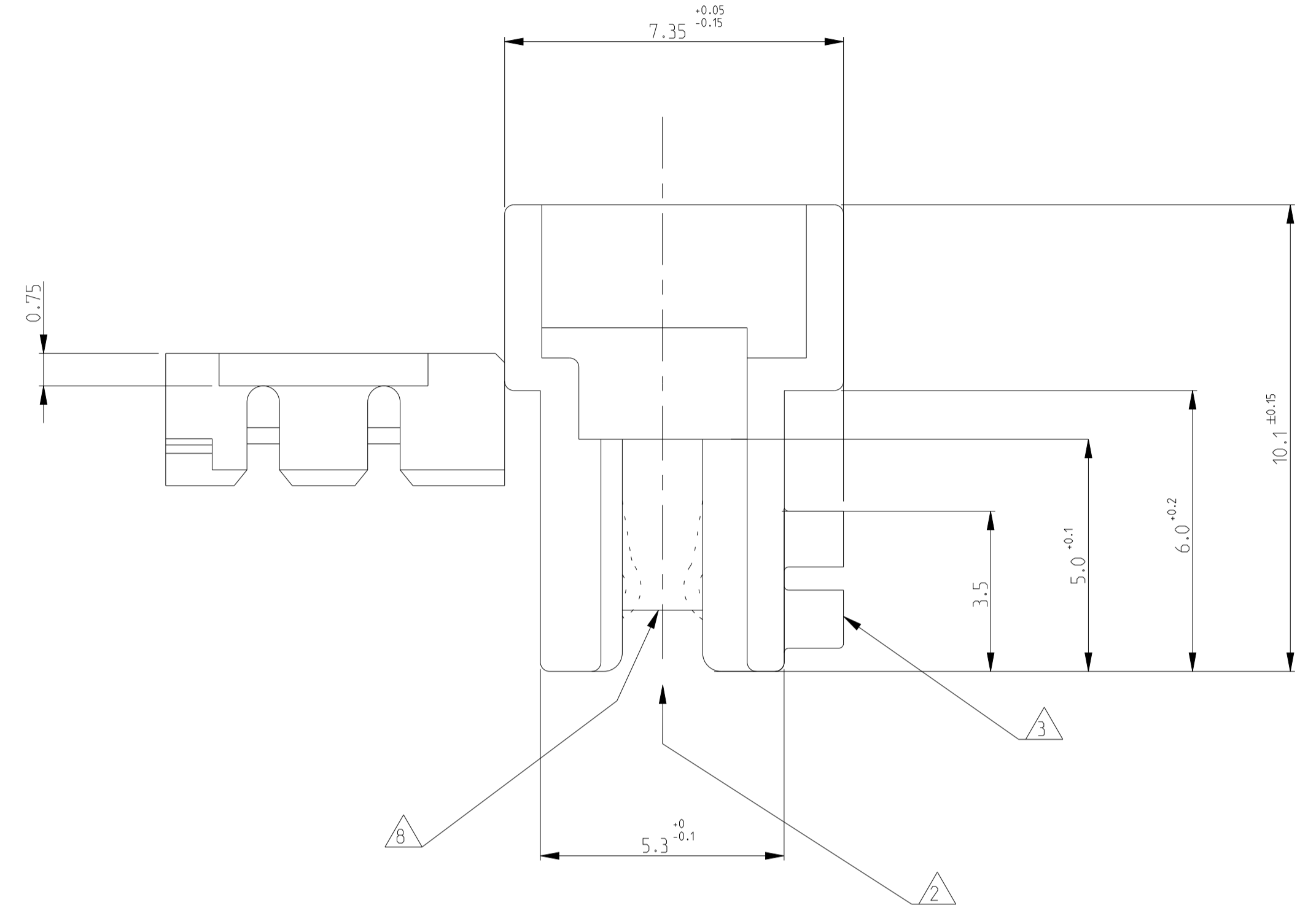
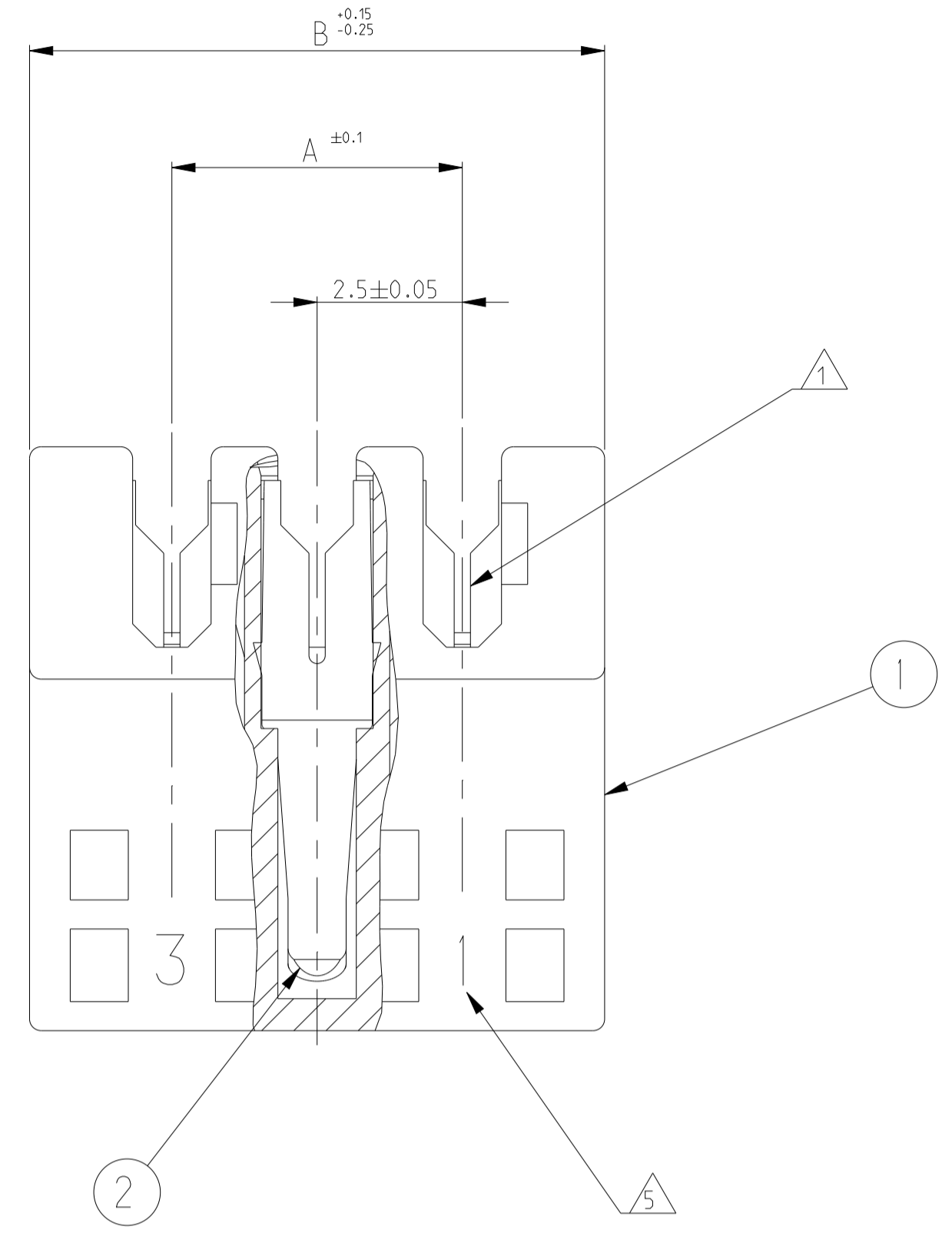
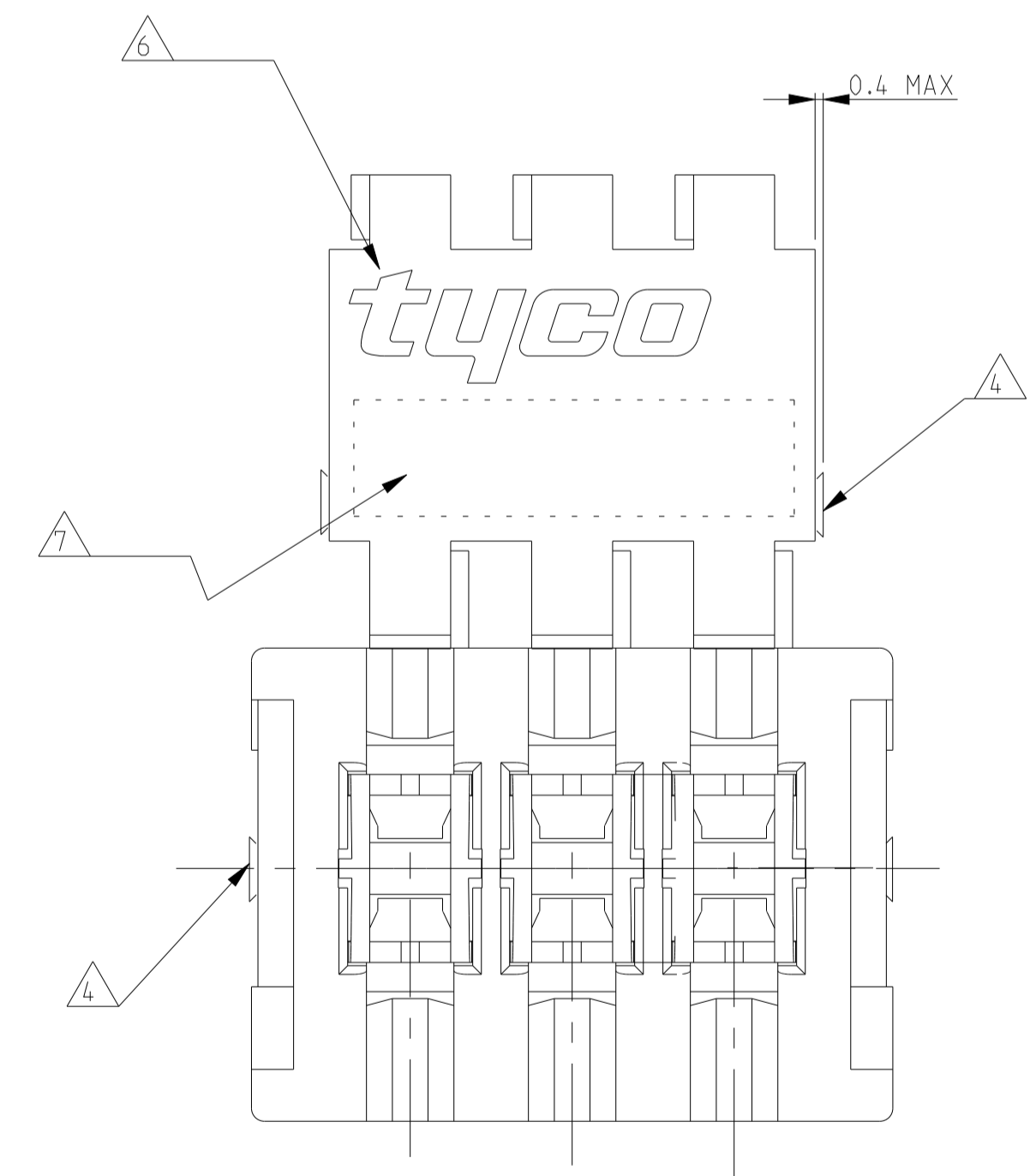


REVISONS		DATE	DWN	APVD
D3	ECR-22-128794	10FEB2022	DC	FL
D4	ECR-22-130044	01MAR2022	DC	FL
D5	ECR-22-134224	04APR2022	DC	FL
D6	ECR-22-162225	16JAN2023	DC	FL



SCALE 5:1  
 P/N 0-284932-3 AS SHOWN



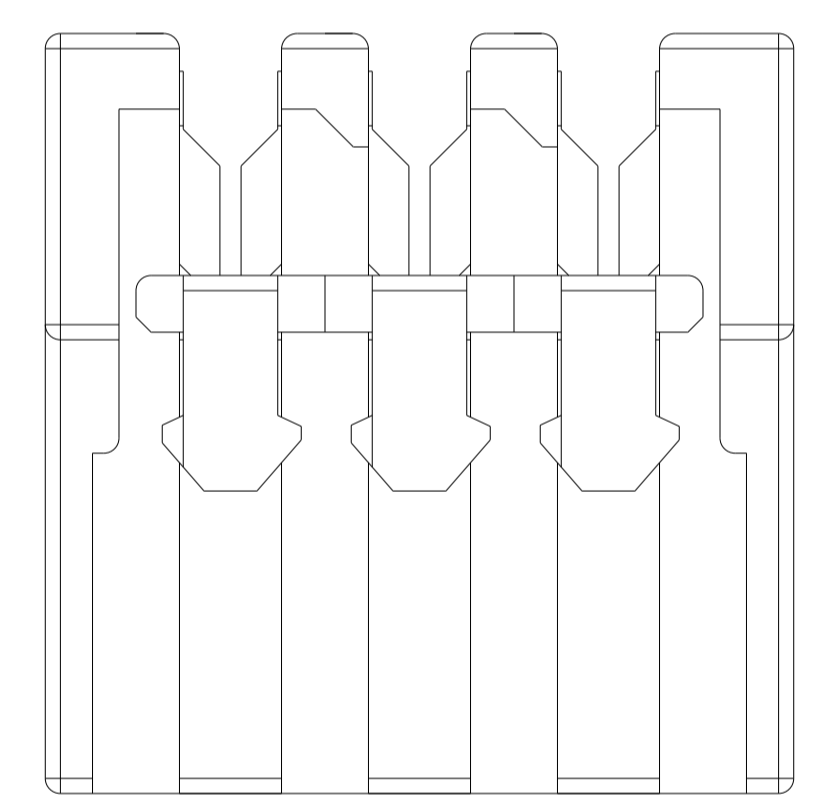
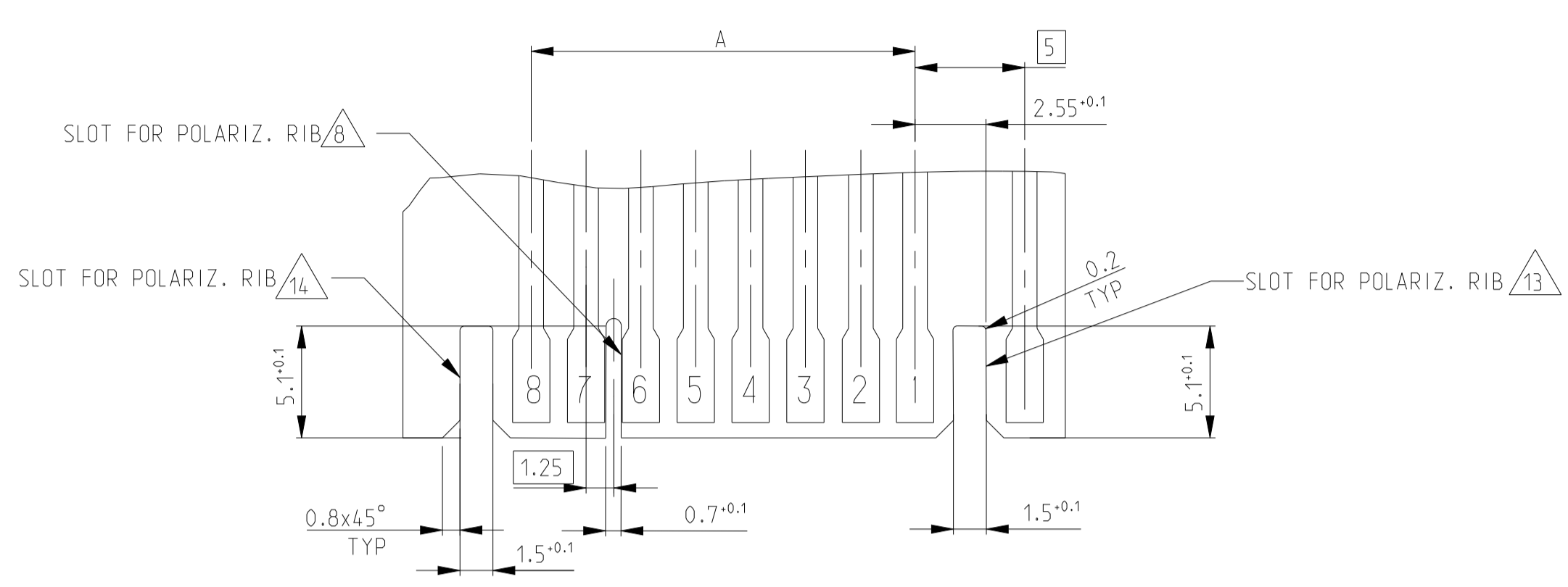
- 1 WIRE RANGE : STRANDED 0.22-0.35 mm<sup>2</sup> (INS. DIA. 1.30±0.1)
- 2 MATING PART: PCB FRAME P/N 964575 (PCB THK 1.5±0.14 COPPER CLADDING INCLUDED) SEE PRODUCT SPEC. 108-18056 FOR FRAME APPLICATION
- 3 KEYING RIBS TO BE REMOVED BY TERMINATION MACHINE
- 4 CUT OFF DIMENSION DUE TO PRODUCTION PROCESS
- 5 CIRCUIT No. IDENTIFICATION
- 6 TE TRADEMARK (OPTIONAL POSITION)
- 7 TAMPOGRAPHIC COLOUR CODE AREA (P/Ns IDENTIFICATION BEFORE CRIMPING)
- 8 POLARIZATION RIB BETWEEN CAVITIES. (SEE SHEET 2 TYPICAL POLARIZATION CUTOFF ON PCB)
- 9 PRELIMINARY PART NOT RELEASED FOR PRODUCTION.
- 10 X - CAVITY LOADED WITH CONTACT  
 O - CAVITY WITHOUT CONTACT
- 11 PBT GF
- 12 PA GF. UL94-V0 & GWEPT 750 NO-FLAME. NATURAL
- 13 POLARIZATION RIB IN CAVITY 1. (SEE SHEET 2 TYPICAL POLARIZATION CUTOFF ON PCB)
- 14 POLARIZATION RIB IN LAST CAVITY. (SEE SHEET 2 TYPICAL POLARIZATION CUTOFF ON PCB)
- 15 ALTERNATIVE RESIN PBT GF

16 PART RELEASED WITHOUT EXTENSIVE TERMINATION TESTS

-				THIS DRAWING IS A CONTROLLED DOCUMENT.		DWN R. FABRIS 27FEB2004		TE Connectivity	
SEE TABLE				DIMENSIONS: mm		CHK -			
PH. BRONZE, TIN PLATED				IDC RECEPTACLE CONTACT		2		APVD G. TURCO 27FEB2004	
PBT GLASS FIBER FILLED				FEMALE HOUSING		1		NAME	
MATERIAL				DESCRIPTION		ITEM		DUOPLUG 2.5 FEMALE CONNECTOR STANDARD VERSION, KEYED (FULLY LOADED)	
1				REVISIONE DELL'ASSEMBLATO (REVISION OF EACH ASSY NOI)				SIZE CAGE CODE DRAWING NO	
0.1A PER ASSEMBLATO (0.1A PER ASSY)				ELENCO DEI COMPONENTI (PARTS LIST)				RESTRICTED TO	
				MATERIAL SEE TABLE				A1 00779 C=284932	
								WEIGHT	
								CUSTOMER DRAWING	
								SCALE 10:1 SHEET 1 OF 2 REV D6	

LOC		DIST		REVISIONS			
P	LTN	DESCRIPTION	DATE	DMN	APVD		
-	-	SEE SHEET 1	-	-	-		

RECOMMEND TYPICAL POLARIZATION CUTOFF ON PCB



P/N 0-284932-3 AS SHOWN

COLOUR CODE	11	10	9	8	7	6	5	4	3	2	1	POLARIZ. RIB LAST CAVITY	POLARIZ. RIB CAVITY 1	POLARIZ. RIB	HSG POS	DIM.A	DIM.B	TE P/N	TE P/N	TE P/N		
BLACK																2/3	13	30.0	34.9	4-284932-3	1-2311501-3	4-2402722-3
GREEN					X	X	0	X	0	X						4/5	6	12.5	17.4	3-284932-6	2311505-6	3-2402722-6
BLUE																				1-284932-6	4-2311500-6	1-2402722-6
																					2311501-2	-
BLACK																9/10	11	25.0	29.9	1-284932-1	1-2311501-1	1-2402722-1
BLACK																7/8	10	22.5	27.4	1-284932-0	2-2311500-0	1-2402722-0
																					1-2311500-9	-
BLACK																2/3	9	20.0	24.9	0-284932-9	2311500-9	2402722-9
																					4-2311500-8	-
ORANGE																2/3	8	17.5	22.4	2-284932-8	3-2311500-8	2-2402722-8
BLACK																1/2 and 7/8				0-284932-8	2-2311500-8	2402722-8
RED																2/3	7	15.0	19.9	0-284932-7	1-2311500-7	2402722-7
																					7-2311500-6	-
BLACK																1/2	6	12.5	17.4	2-284932-6	3-2311500-6	2-2402722-6
RED																2/3				0-284932-6	2-2311500-6	2402722-6
RED																4/5				3-284932-5	5-2311500-5	3-2402722-5
GREEN																3/4	5	10.0	14.9	2-284932-5	4-2311500-5	2-2402722-5
ORANGE																2/3				4-284932-5	3-2311500-5	4-2402722-5
BLACK																3/4				0-284932-5	2-2311500-5	2402722-5
BLACK																3/4				2-284932-4	4-2311500-4	2-2402722-4
ORANGE																1/2	4	7.5	12.4	0-284932-4	3-2311500-4	2402722-4
																					2-2311500-4	-
RED																2/3	3	5.0	9.9	3-284932-3	6-2311500-3	3-2402722-3
GREEN																1/2				2-284932-3	5-2311500-3	2-2402722-3
BLACK																1/2				0-284932-3	4-2311500-3	2402722-3

THIS DRAWING IS A CONTROLLED DOCUMENT. DMN R. FABRIS 27/FEB/2004  
 DIMENSIONS: mm TOLERANCES UNLESS OTHERWISE SPECIFIED:  
 0 PLC ±0.2  
 1 PLC ±0.2  
 2 PLC ±0.2  
 3 PLC ±0.2  
 4 PLC ±0.2  
 ANGLES ±0.1°  
 MATERIAL: SEE TABLE FINISH: -  
 CUSTOMER DRAWING

DUOPLUG 2.5 FEMALE CONNECTOR STANDARD VERSION, KEYED (FULLY LOADED)  
 108-18056  
 116-18049-1  
 WEIGHT: -  
 SCALE: 10:1 SHEET 2 OF 2 REV: 06

TE Connectivity  
 NAME: DUOPLUG 2.5 FEMALE CONNECTOR STANDARD VERSION, KEYED (FULLY LOADED)  
 SIZE: A1 CAGE CODE: 00779 DRAWING NO: 284932  
 RESTRICTED TO: -