

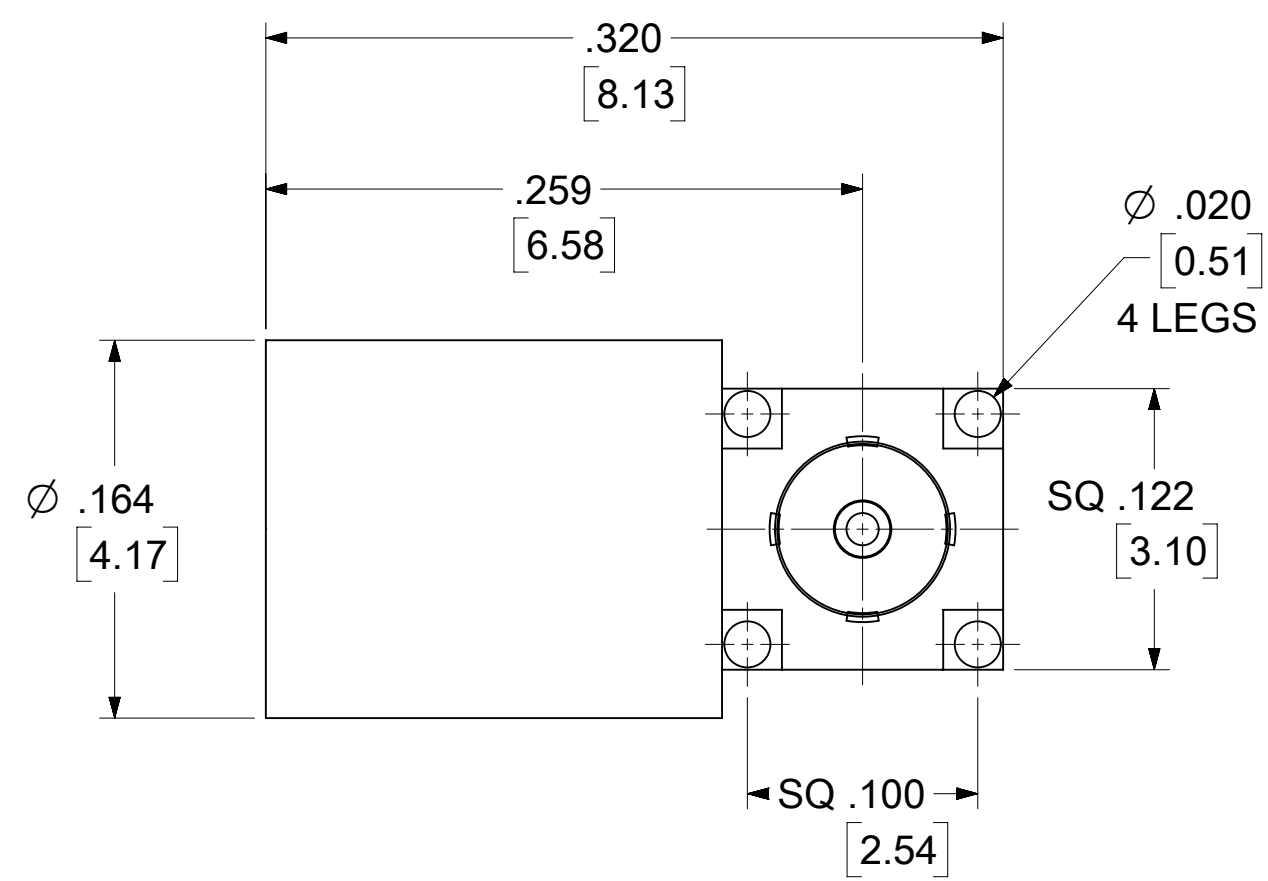
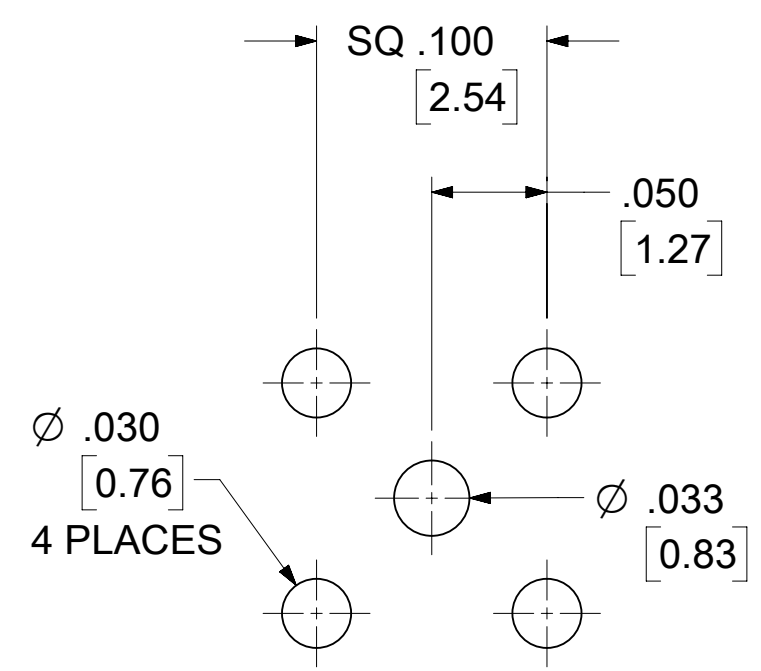
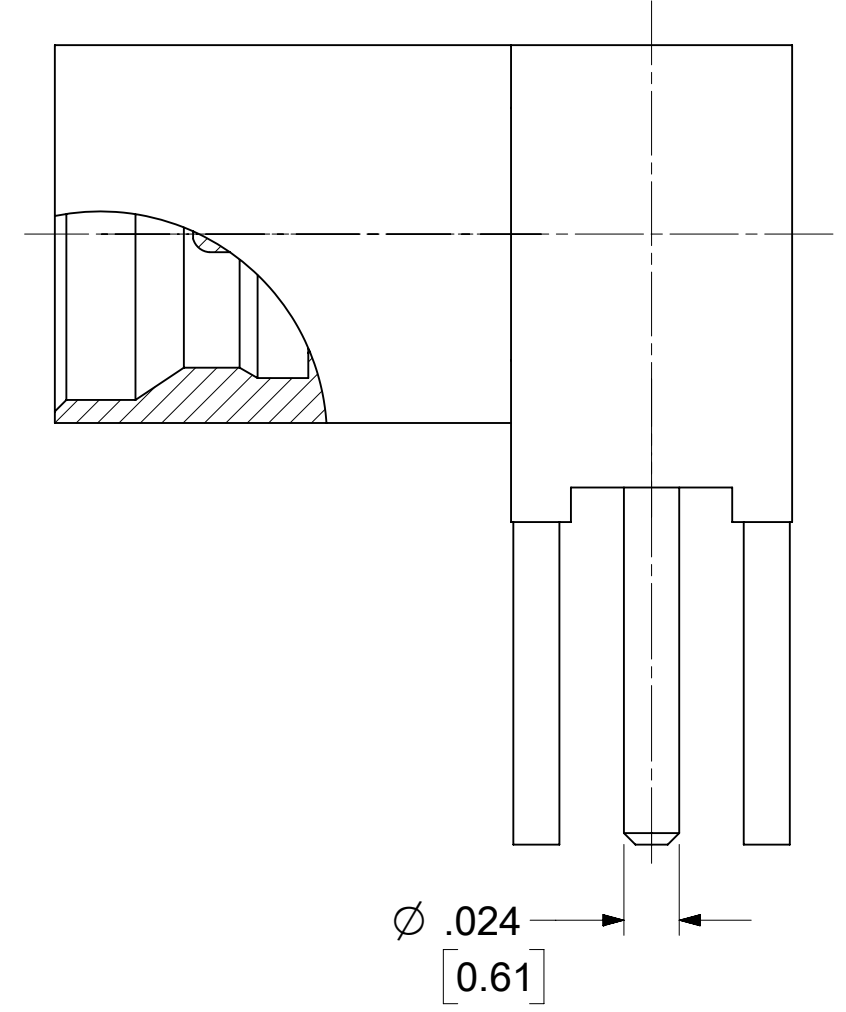
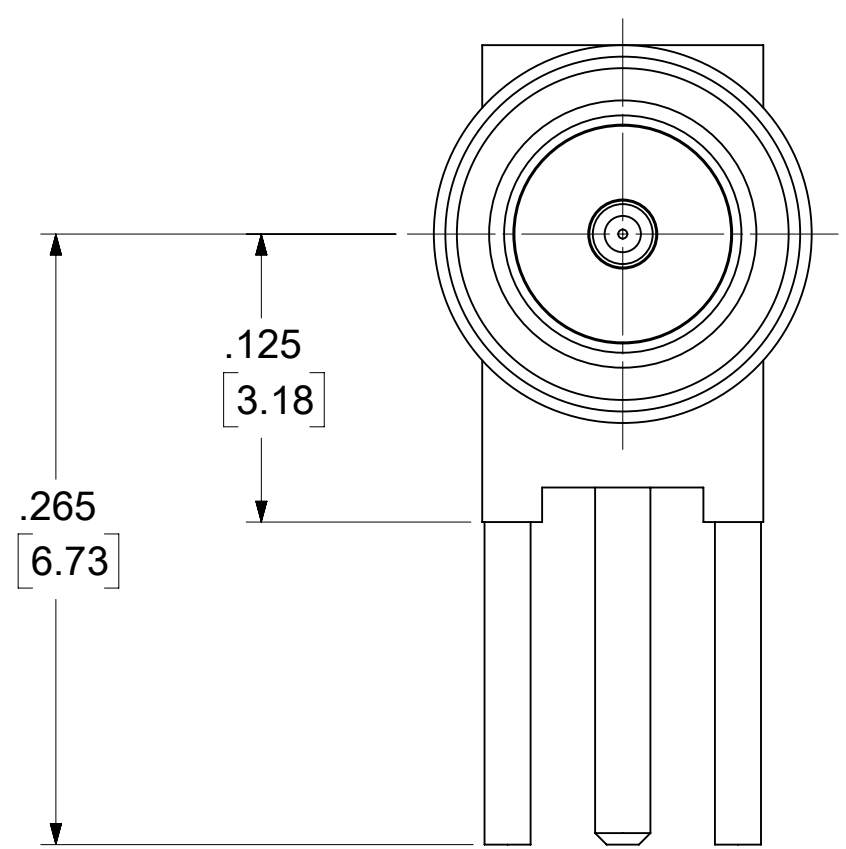
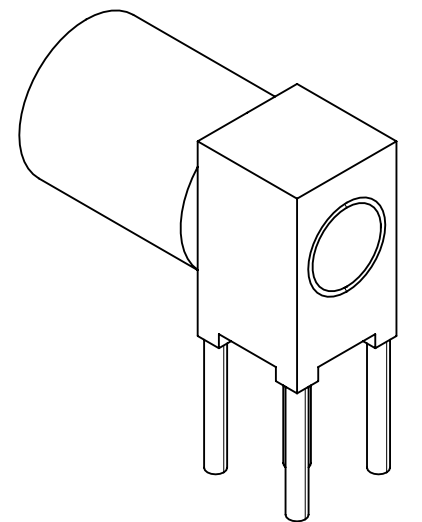
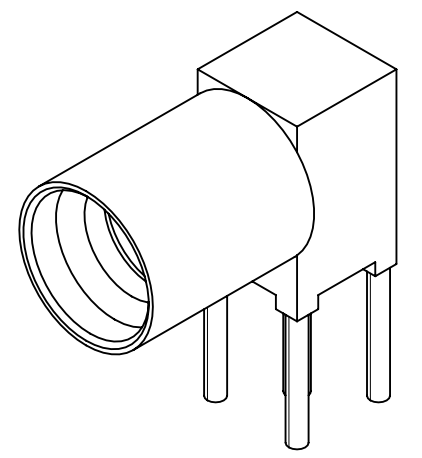
MATERIALS AND FINISHES:

BODY: BRASS
 PLATED GOLD (20μ-in MIN)
 OVER NICKEL

INSULATOR: PTFE

CONTACT: BERYLLIUM COPPER
 PLATED GOLD (50μ-in MIN)
 OVER NICKEL

CAP: BRASS
 PLATED GOLD (20μ-in MIN)
 OVER NICKEL



RECOMMENDED PCB CONFIGURATION

LABEL FORMAT FOR
 73406-0241

PART NUMBER: 73406-0240
 ORDER NUMBER: 73406-0241
 MOLEX
 DATE: YYWW

73406-0241	73406-0240 ONE PER BAG	895420470
73406-0240	73406-0240 TRAY	895420040
PART NO.	DESCRIPTION	PACKING SPEC

MIL-STD-348A, FIG. 326.2	INTERFACE
SPECIFICATION	DESCRIPTION

DOCUMENT STATUS	P1	RELEASE DATE	2022/08/25 06:22:13
-----------------	----	--------------	---------------------

THIS DRAWING CONTAINS INFORMATION THAT IS PROPRIETARY TO MOLEX ELECTRONIC TECHNOLOGIES, LLC AND SHOULD NOT BE USED WITHOUT WRITTEN PERMISSION

DIMENSION UNITS INCH/MM	SCALE NTS	CURRENT REV DESC: ADD 73406-0241 PER EWR #15321-B	molex		
GENERAL TOLERANCES (UNLESS SPECIFIED)					
ANGULAR TOL ± 2.0°	4 PLACES ±	EC NO: 718857	PRODUCT CUSTOMER DRAWING		
3 PLACES ±	2 PLACES ±	DRWN: RYEH 2022/08/03	DOCUMENT NUMBER		
1 PLACE ±	0 PLACES ±	CHK'D: YCHENG 2022/08/25	SD-73406-024		
		APPR: YCHENG 2022/08/25	DOC TYPE DOC PART REVISION		
		INITIAL REVISION:	PSD 001 A1		
		DRWN: RYEH 2012/06/06	MATERIAL NUMBER		
		APPR: MHUANG 2012/07/27	CUSTOMER		
DRAFT WHERE APPLICABLE MUST REMAIN WITHIN DIMENSIONS	THIRD ANGLE PROJECTION	DRAWING C-SIZE	SERIES 73406	SHEET NUMBER 1 OF 1	