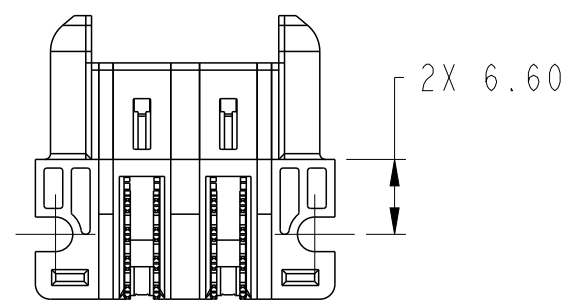
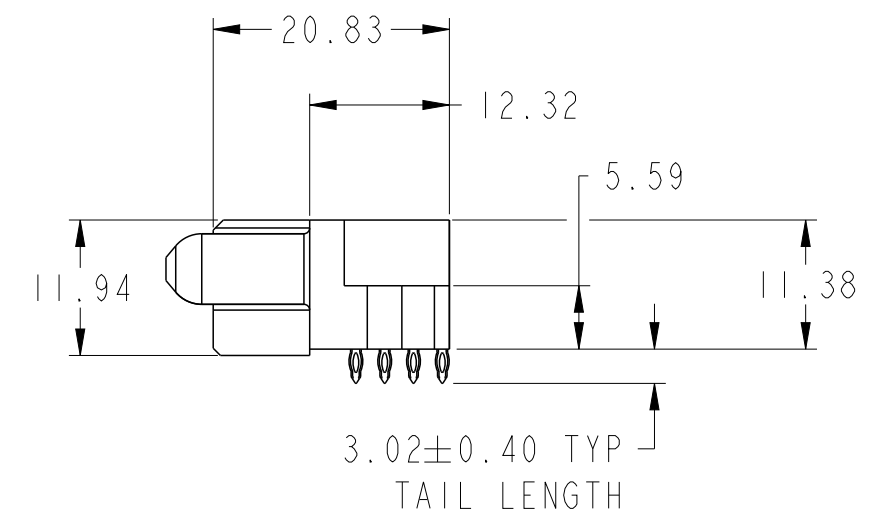
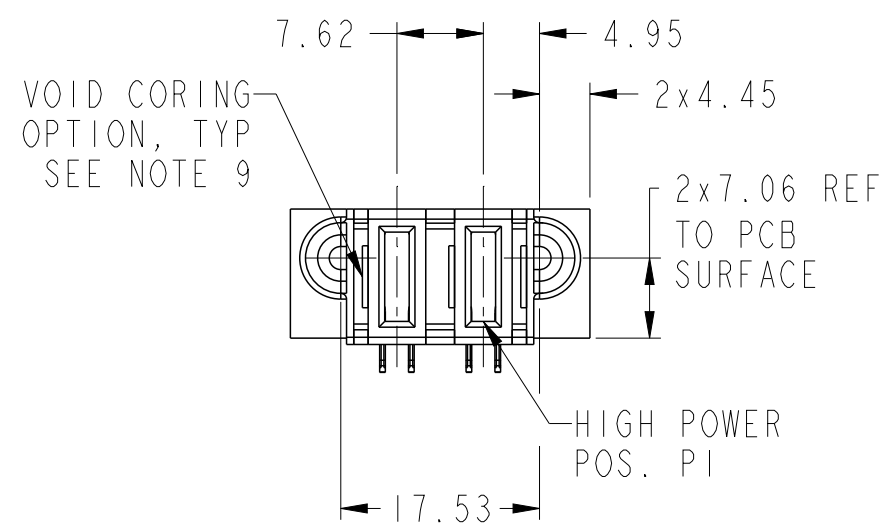
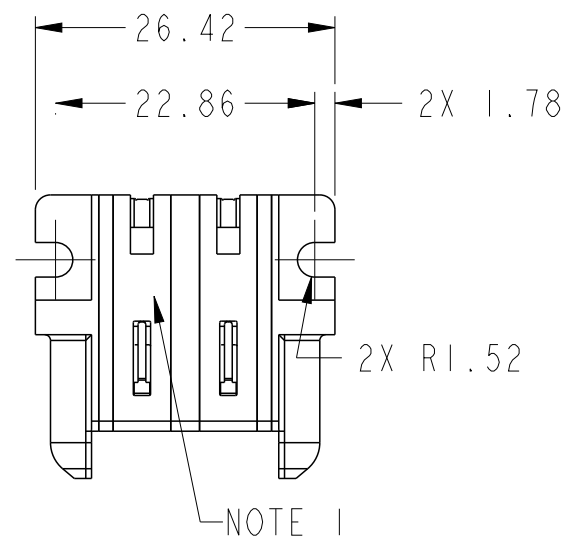


PRODUCT NUMBER SEE SHEET 2

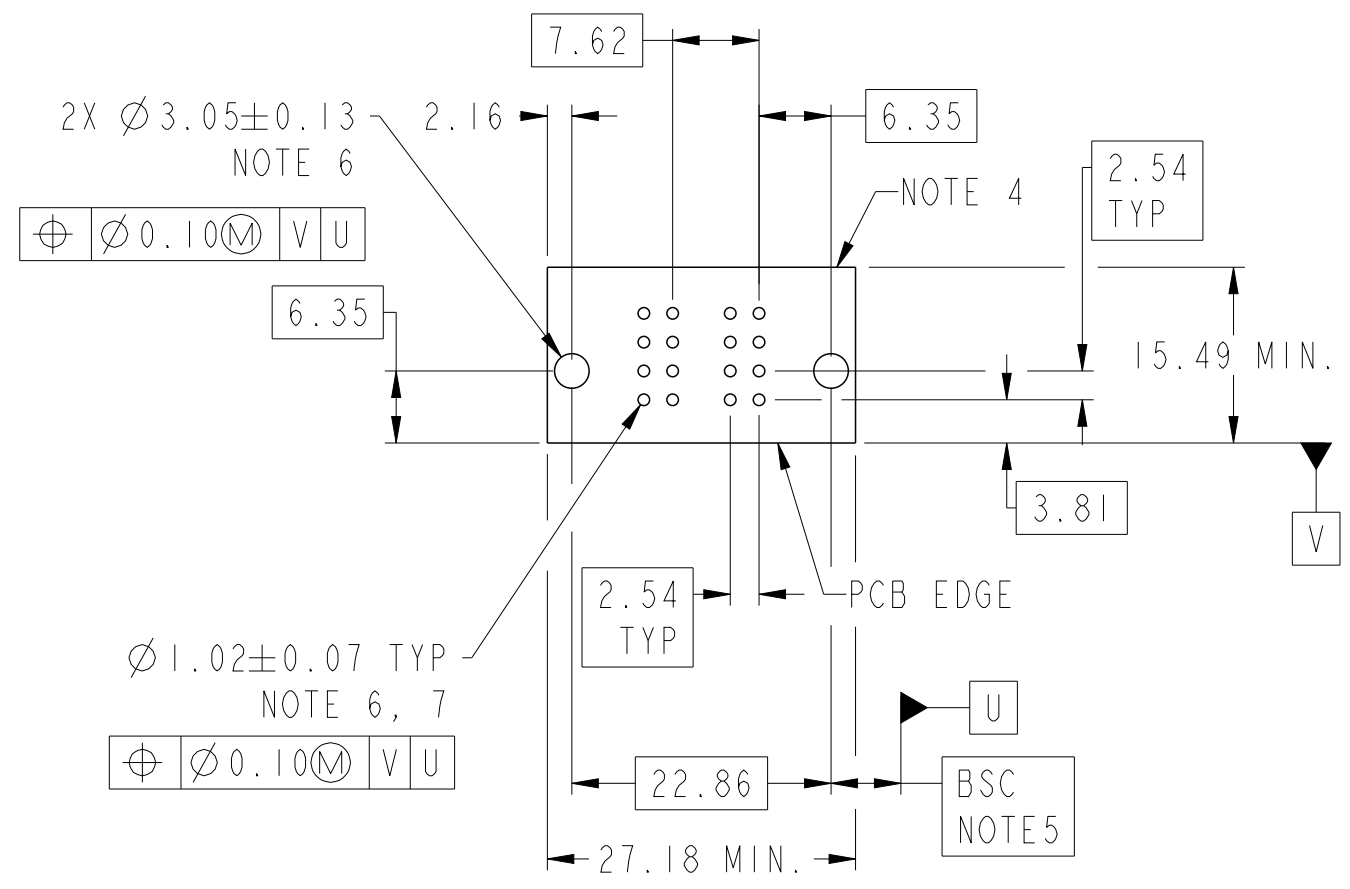


Copyright FCI.

spec ref	*	dr	Peng-Bing Fu	2012/09/06	projection	MM	size	A3	scale	3:2												
tolerance std	ASME Y14.5	eng	Peng-Bing Fu	2013/03/13			ecn no	-	rel level	Released												
TOLERANCES UNLESS OTHERWISE SPECIFIED		chr	-	-																		
surface	<table border="1"> <tr> <td>linear</td> <td>0.X</td> <td>±0.5</td> </tr> <tr> <td></td> <td>0.XX</td> <td>±0.25</td> </tr> <tr> <td></td> <td>0.XXX</td> <td>±0.10</td> </tr> <tr> <td>angular</td> <td>0°</td> <td>±2°</td> </tr> </table>	linear	0.X	±0.5		0.XX	±0.25		0.XXX	±0.10	angular	0°	±2°	appr	Pei-Ming Zheng	2013/03/13	product family	PwrBlade+				
linear	0.X	±0.5																				
	0.XX	±0.25																				
	0.XXX	±0.10																				
angular	0°	±2°																				
ASME Y14.5				title	2ACP RA PF RECEPTACLE		dwg no	10106119-2000001		rev	A											
		www.fci.com	cat. no.		Product - Customer Drw			sheet 1 of 3														

PRODUCT NO.	ROWS	HP			
		E1	P2	P1	E2
10106119-2000001LF	DCBA		H7	H7	

CODE	DESCRIPTION
H7	STD HIGH POWER CONTACT(3.02)



Copyright FCI.

dr	Peng-Bing Fu	2012/09/06	projection	MM	size	A3	scale	3:2
eng	Peng-Bing Fu	2013/03/13		← →	ecn no	-		
chr	-	-			product family	PwrBlade+	rel level	Released
appr	Pei-Ming Zheng	2013/03/13						

	title	2ACP RA PF RECEPTACLE	dwg no	10106119-2000001	rev	A
www.fci.com	cat. no.	Product - Customer Drw		sheet 2 of 3		

NOTES:

- 1) "FCI", PART NUMBER AND DATE CODE TO BE MARKED ON THIS SURFACE.
THE MARK CAN BE OMITTED IF THERE IS NOT ENOUGH SPACE ON THIS SURFACE.
- 2) MATERIALS:
-HOUSING - GLASS FILLED WITH HIGH TEMP THERMOPLASTIC, UL94V-0.
-SIGNAL CONTACT - COPPER ALLOY.
-POWER CONTACT - HIGH CONDUCTIVITY COPPER ALLOY.
- 3) PLATING SPECIFICATION REFER TO FCI 10116351
- 4) DENOTES CONNECTOR KEEP OUT ZONE.
- 5) DATUM AND BASIC DIMENIONS WERE ESTABLISHED BY CUSTOMER.
- 6) ALL HOLE DIAMETERS ARE FINISHED HOLE SIZES.
- 7) 1.15 ± 0.025 MM DRILLED HOLE PLATED WITH 0.00762MM MIN Sn
OVER 0.0254-0.0762MM Cu PLATING TO ACHIEVE A 1.02 ± 0.07 MM HOLE.
- 8) PRODUCT SPECIFICATION REFER TO FCI GS-12-658.
APPLICATION SPECIFICATION REFER TO FCI GS-20-141.
PRODUCT PACKAGED IN TRAYS, REFER TO FCI GS-14-1502.
- 9) THE VOID CORING IN BETWEEN POWER MODULES, SIGNAL
MODULES AND END MODULES ARE OPTIONAL AND THE SHAPE
MAY BE DIFFERENT FOR OPTIMIZE THE MOLDING PROCESS. THE
VOID CORING WILL NOT EFFECT TO PRODUCT FUNCTION.



Copyright FCI.

dr	Peng-Bing Fu	2012/09/06	projection 	MM 	size	A3	scale	3:2
eng	Peng-Bing Fu	2013/03/13			ecn no	-		
chr	-	-	product family	PwrBlade+	rel level	Released		
appr	Pei-Ming Zheng	2013/03/13			title	2ACP RA PF RECEPTACLE		dwg no 10106119-2000001 rev A
www.fci.com		cat. no.	Product - Customer Drw		sheet 3 of 3			