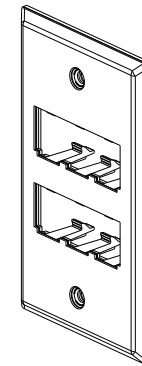
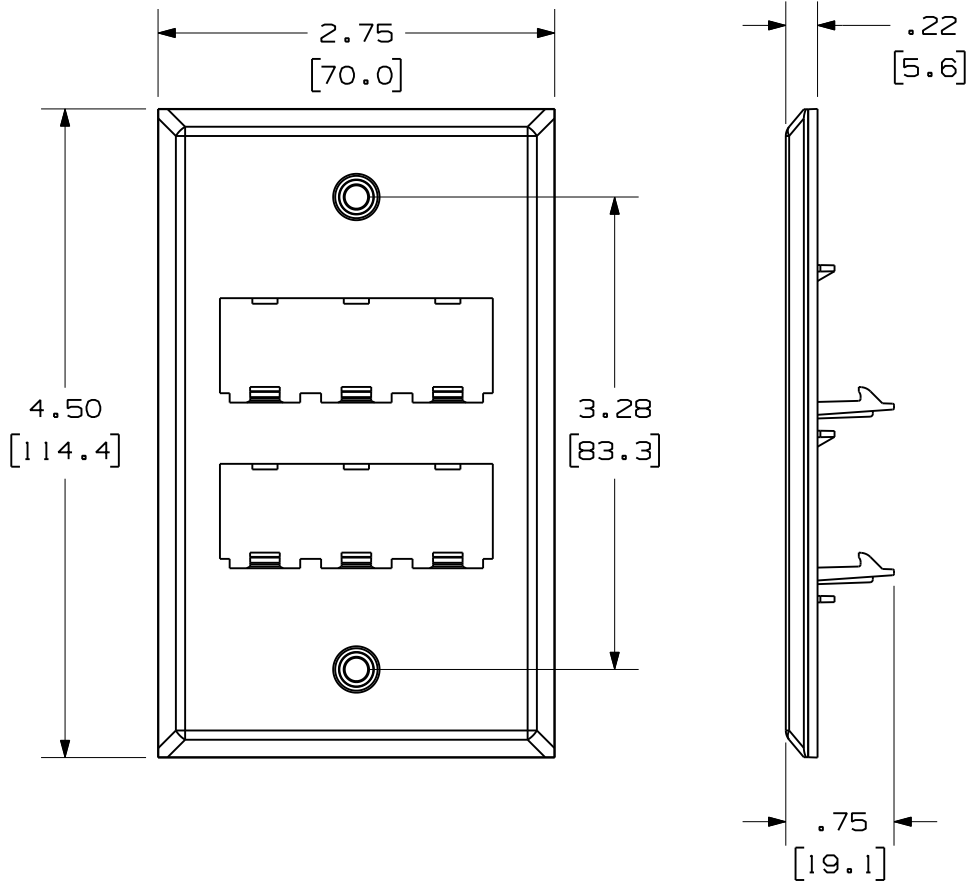


THIS COPY IS PROVIDED ON A RESTRICTED BASIS AND IS NOT TO BE USED IN ANY WAY DETRIMENTAL TO THE INTERESTS OF PANDUIT CORP.

PANDUIT P/N	WEIGHT
CFP6SY	1.47 LB/10 PCS (666.8 g/10 PCS)

NOTES:

- SEE CURRENT CATALOG FOR ADDITIONAL PART NUMBER SUFFIXES TO INDICATE COLOR AND OR PACKAGE QUANTITY.
- SEE CATALOG FOR COMPLETE LIST OF PARTS APPLICABLE FOR USE WITH THIS PART.
- DIMENSIONS IN PARENTHESES ARE IN METRIC.
- CFP6SY KIT CONTAINS:
1- FACEPLATE
2- #6-32 X 1" MOUNTING SCREW

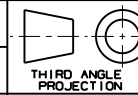


MODEL FILENAME	M02418AA/01	SIZE A
DRAWING FILENAME	M02479FF_DC138/00B	

MINI-COM 6 POSITION STAINLESS STEEL FACEPLATE CUSTOMER DRAWING



I.I. NUMBER	N/A
PRODUCT SPEC/ PKG SPEC	N/A
ASSY METHOD/ TEST METHOD	N/A
SCALE	NONE



ALL DIMENSIONS ARE GIVEN IN INCHES, UNLESS OTHERWISE SPECIFIED.
DIMENSIONAL TOLERANCES ARE:
(.X) ± (.XXX) ±.005(1.3)
(.XX) ±.03(1.8) ANGLES ± 1°

DRAWN BY JsP	REVIEW DRAWING NUMBERS	PART NO. CFP6SY
DATE 4-26-06	MAT'L FACEPLATE- 304 STAINLESS STEEL BACKING- ABS	DRAWING NO. 02479-138
CHK'D MJD		

REV	DATE	BY	CHK	DESCRIPTION	ECN	R	CUST	SUP	OTH
I	1-25-11	BJN	Jc0	A. FACEPLATE MATERIAL WAS 430 S.S.	02479-138	Jc0	Jc0		
R	4-26-06	JsP	MJD	RELEASED TO PRODUCTION	02479-138				