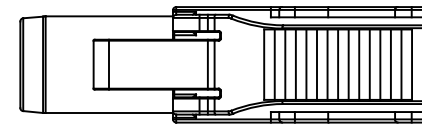
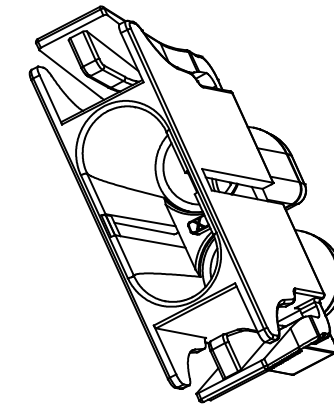
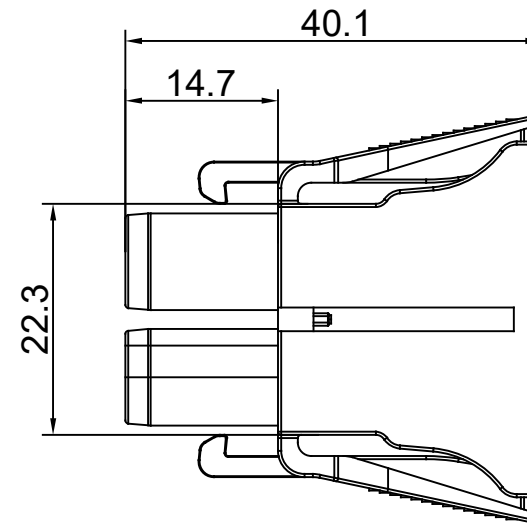
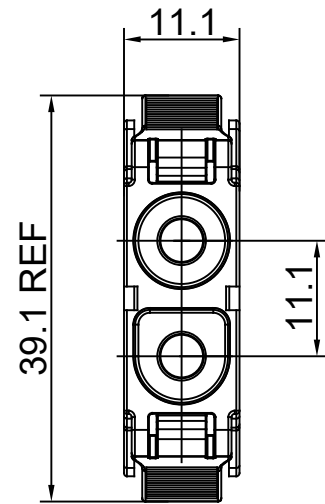


REVISIONS					
REV	ECO	DESCRIPTION	DATE	BY	APPR
A1	--	FIRST RELEASED	APR-10-2020	BLINK	TOMMY



NOTES: (UNLESS OTHERWISE SPECIFIED)

1. MATERIAL:

SHELL: THERMOPLASTIC, UL94 V-0.

2. SPECIFICATIONS:

2.1, OPERATING TEMPERATURE: -40~125°C.

2.2, MATING CYCLES DURABILITY: 100 CYCLES MIN (MATING WITH PL000727).

2.3, RoHS COMPLIANT.

3. ALL DIMENSIONS ARE FOR REFERENCE USE ONLY.

TITLE: TELECOM 4mm CONNECTOR PLUG HOUSING
 DWG NO.: PL000728
 REV: A1
 SH: 1
 OF: 1

QUANTITY	PART NUMBER	DESCRIPTION	ITEM												
MATERIALS LIST															
UNLESS OTHERWISE SPECIFIED 1) All dimensions are in metric(mm). 2) Tolerances are as follows: 1 PL DEC ±0.30 2 PL DEC ±0.15 3 PL DEC ±0.08 Fractions ±1/64 Angles ±1° 3) Note reference =		<table border="1"> <tr> <th>SIGNATURES</th> <th>DATE</th> </tr> <tr> <td>DRAWN: BLINK</td> <td>APR-10-2020</td> </tr> <tr> <td>CHECKED: ORION</td> <td>APR-13-2020</td> </tr> <tr> <td>ENGINEER:</td> <td></td> </tr> <tr> <td>APPROVAL: TOMMY</td> <td>APR-15-2020</td> </tr> <tr> <td>CUSTOMER:</td> <td></td> </tr> </table>	SIGNATURES	DATE	DRAWN: BLINK	APR-10-2020	CHECKED: ORION	APR-13-2020	ENGINEER:		APPROVAL: TOMMY	APR-15-2020	CUSTOMER:		<p style="text-align: center; font-size: 24pt;">Amphenol</p> <p>Sine Systems - www.amphenol-sine.com 44724 Morley Drive Clinton Township, MI 48036</p>
SIGNATURES	DATE														
DRAWN: BLINK	APR-10-2020														
CHECKED: ORION	APR-13-2020														
ENGINEER:															
APPROVAL: TOMMY	APR-15-2020														
CUSTOMER:															
MATERIAL SPECIFICATIONS:		<p style="text-align: center;">4MM, FEMALE PLUG HOUSING FOR USE WITH PL000729, PRM SERIES™</p>													
PROCESS SPECIFICATIONS:		<table border="1"> <tr> <th>SIZE</th> <th>TYPE</th> <th>DWG NO.</th> <th>REVISION</th> </tr> <tr> <td>B</td> <td>C-</td> <td>PL000728</td> <td>A1</td> </tr> </table>	SIZE	TYPE	DWG NO.	REVISION	B	C-	PL000728	A1	<table border="1"> <tr> <td>SCALE: NONE</td> <td>SHEET 1 OF 1</td> </tr> </table>	SCALE: NONE	SHEET 1 OF 1		
SIZE	TYPE	DWG NO.	REVISION												
B	C-	PL000728	A1												
SCALE: NONE	SHEET 1 OF 1														
NEXT ASSY:		THIS DRAWING IS SUPPLIED FOR INFORMATION ONLY. DESIGN FEATURES, SPECIFICATIONS AND PERFORMANCE DATA SHOWN HEREON ARE THE PROPERTY OF THE AMPHENOL CORPORATION. NO RIGHTS OF REPRODUCTION ARE IMPLIED. ALL DIMENSIONS ARE SUBJECT TO NORMAL MANUFACTURING VARIATIONS.													