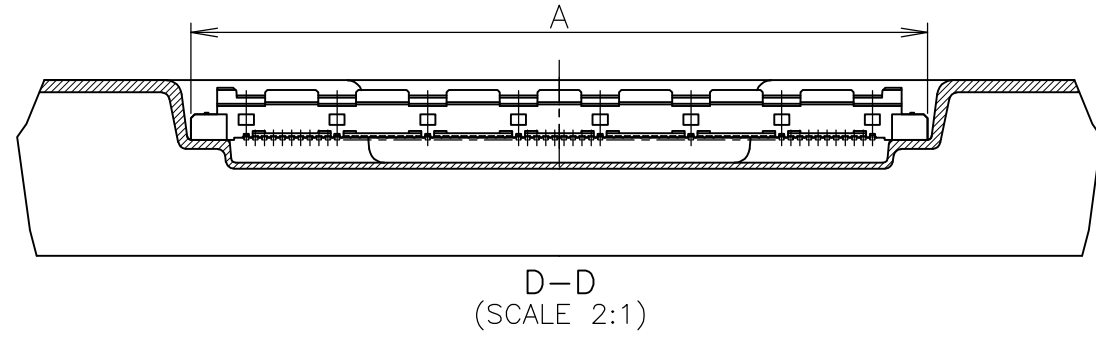
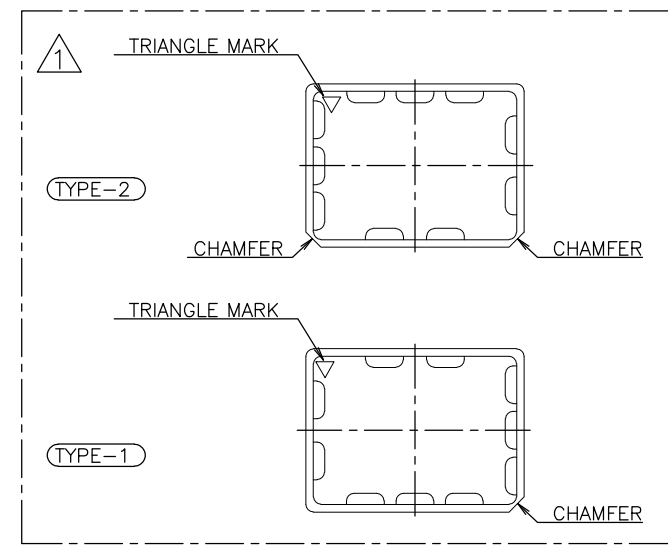
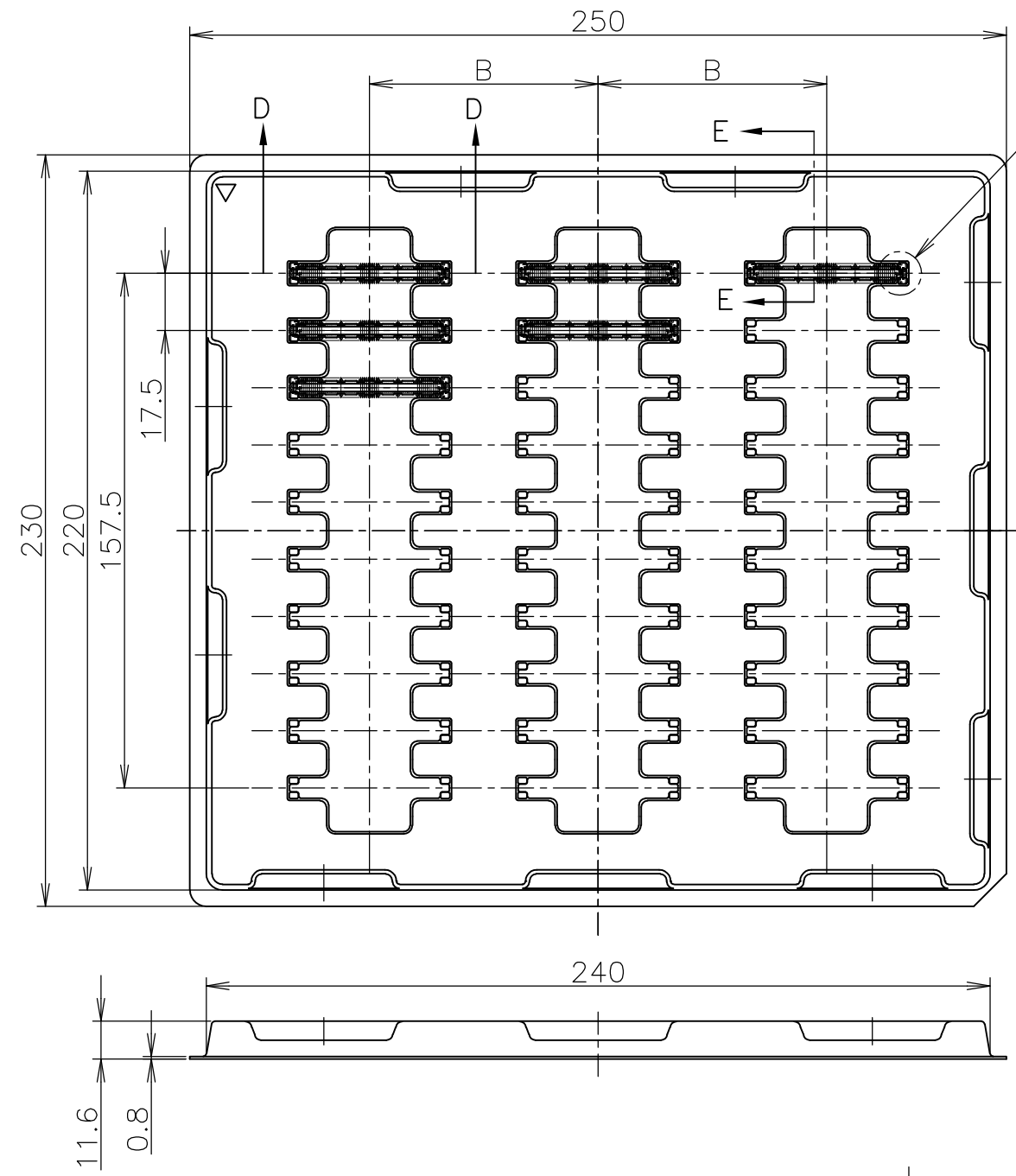


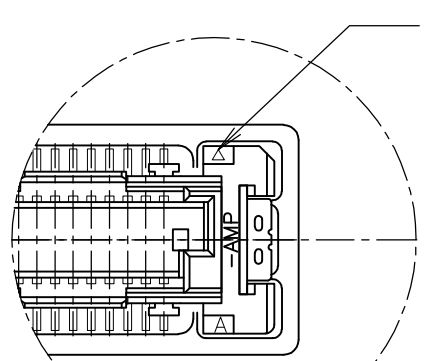
THIS DRAWING IS UNPUBLISHED. RELEASED FOR PUBLICATION MAY, 1995.
 © COPYRIGHT 1995 BY TYCO ELECTRONICS CORPORATION. ALL RIGHTS RESERVED.

LOC	DIST	REVISIONS					
J		P	LTR	DESCRIPTION	DATE	DWN	APVD
		B	REVISED		11JUN07	Y.S	Y.N

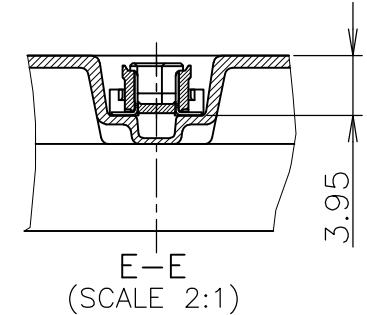
AS SHOWN: TYPE-1



▲ TRAY TYPE-1 AND TYPE-2 MUST BE
 PILED UP BY TURNS.
 (REFER TO PACKING SPECIFICATIONS)



POSITION NO.1



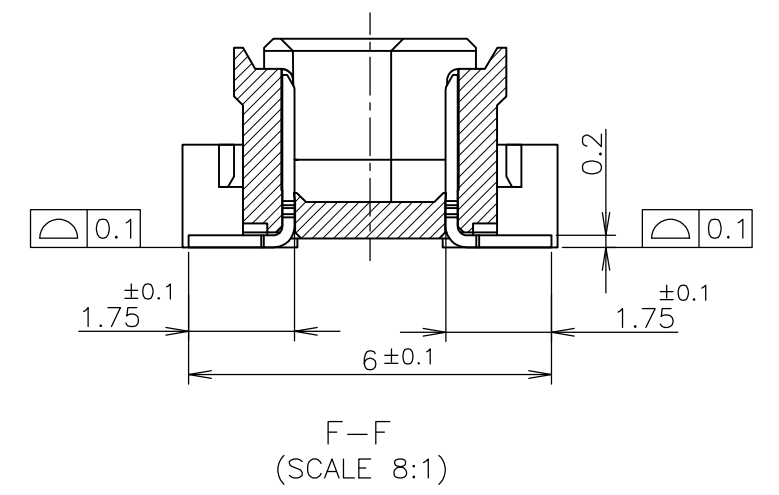
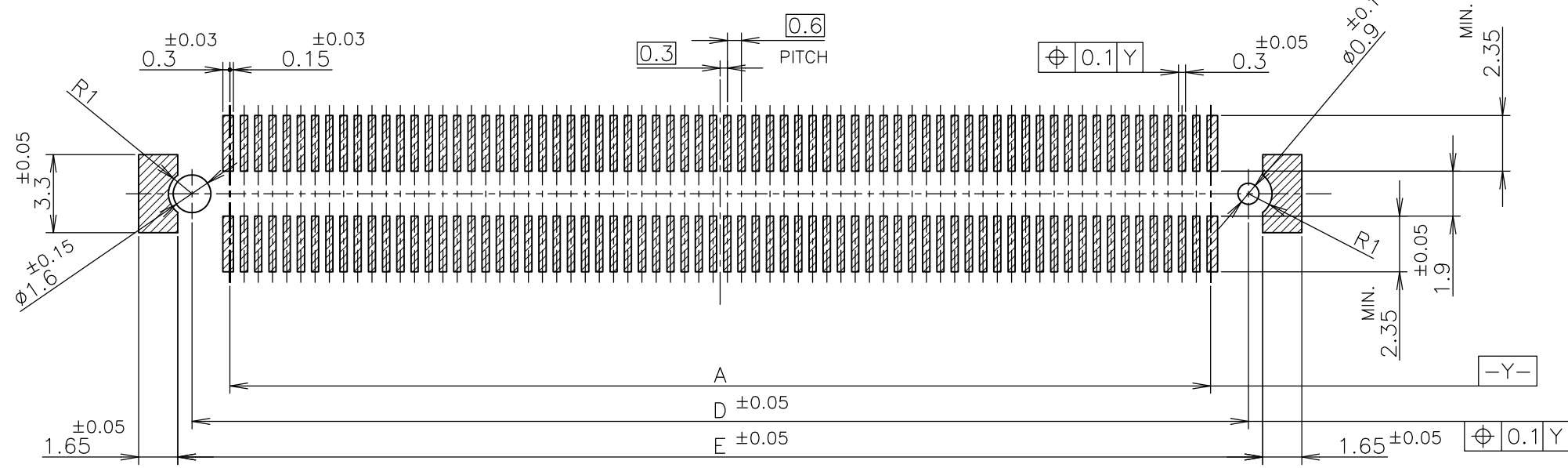
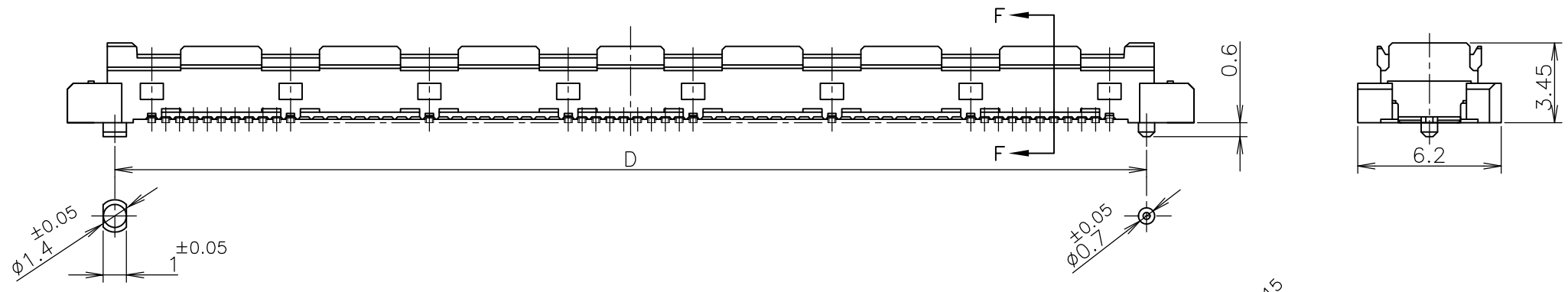
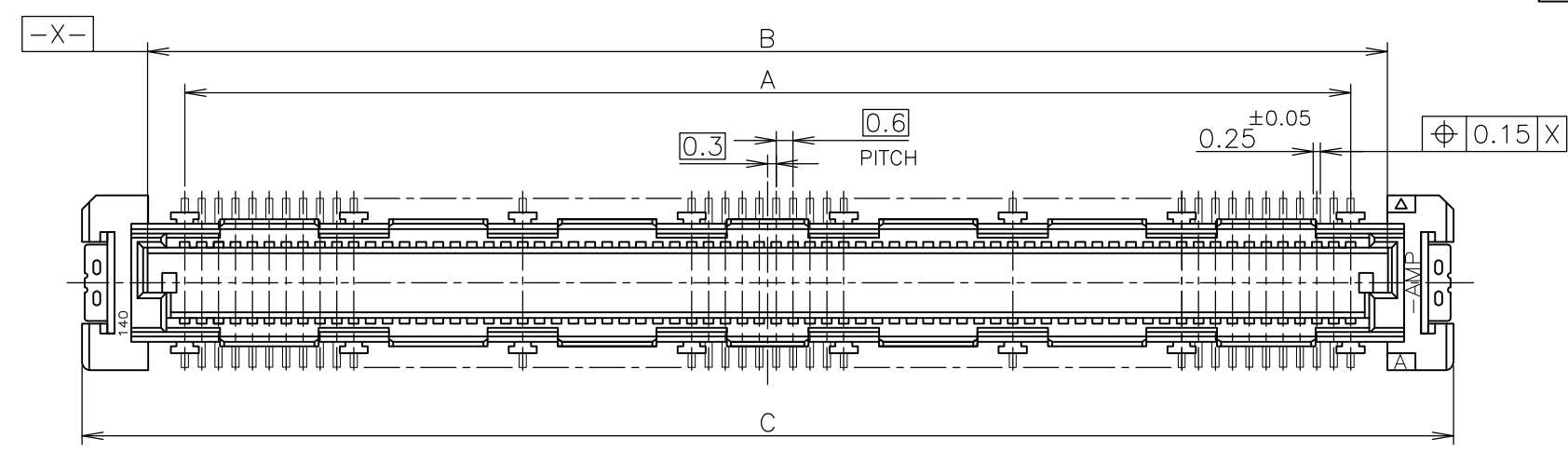
DETAIL C
 (SCALE 4:1)

THIS DRAWING IS A CONTROLLED DOCUMENT.		DWN Y.SHINO 8MAY07	Tyco Electronics AMP K.K. Kawasaki, Japan	
DIMENSIONS: MM		CHK Y.NAKAZAWA 8MAY07	NAME	
TOLERANCES UNLESS OTHERWISE SPECIFIED:		APVD T.FUTATSUGI 8MAY07	PRODUCT SPEC	
0 PLC ± 0.3		108-60047		
1 PLC ± 0.3		APPLICATION SPEC		
2 PLC ± 0.3		114-5255		
3 PLC ± 0.3		SIZE CAGE CODE DRAWING NO RESTRICTED TO		
4 PLC ± 0.3		A3 00779 C-2013011		
ANGLES ± 3°		CUSTOMER DRAWING		
FINISH		SCALE 1:2 SHEET 1 OF 2 REV B		

5	50	43	21.7	50	2013011-3
ROW	QTY	B	A	POS.	PART NO.

THIS DRAWING IS UNPUBLISHED. RELEASED FOR PUBLICATION MAY, 1995.
 © COPYRIGHT 1995 BY TYCO ELECTRONICS CORPORATION. ALL RIGHTS RESERVED.

LOC	DIST	REVISIONS					
J		P	LTR	DESCRIPTION	DATE	DWN	APVD
			-	SEE SHEET 1	-	-	-



RECOMMENDED P.C.BOARD LAYOUT

- 2 MATERIAL ; HOUSING : HIGH TEMP THERMO PLASTIC
UL94V-0
- CONTACT : COPPER ALLOY
- SOLDER PEG : COPPER ALLOY
- 3 FINISH ; CONTACT
- UNDER PL Ni 0.0013mm MIN ALL OVER.
- CONTACT AREA : 0.00076 MIN Au PL.
- SOLDERING AREA : 0.00005 MIN Au PL.
- SOLDER PEG
- UNDER PL Ni 0.0005mm MIN ALL OVER.
- ALL OVER : 0.003mm MIN Sn-Pb PL.
- 4. SEE PACKING ASSY DWG AS FINAL ASSY PART NUMBER.

THIS DRAWING IS A CONTROLLED DOCUMENT.		DWN		Tyco Electronics		Tyco Electronics AMP K.K.													
DIMENSIONS: MM		TOLERANCES UNLESS OTHERWISE SPECIFIED:		NAME		Kawasaki, Japan													
<table border="1"> <tr><td>0 PLC</td><td>± 0.3</td></tr> <tr><td>1 PLC</td><td>± 0.3</td></tr> <tr><td>2 PLC</td><td>± 0.3</td></tr> <tr><td>3 PLC</td><td>± 0.3</td></tr> <tr><td>4 PLC</td><td>± 0.3</td></tr> <tr><td>ANGLES</td><td>± 3°</td></tr> </table>		0 PLC	± 0.3	1 PLC	± 0.3	2 PLC	± 0.3	3 PLC	± 0.3	4 PLC	± 0.3	ANGLES	± 3°	APVD		PRODUCT SPEC		SOFT TRAY ASSY	
0 PLC	± 0.3																		
1 PLC	± 0.3																		
2 PLC	± 0.3																		
3 PLC	± 0.3																		
4 PLC	± 0.3																		
ANGLES	± 3°																		
MATERIAL		FINISH		APPLICATION SPEC		FH 0.6BTB CONNECTOR													
2		3		WEIGHT		PLUG 4H STD Au PLATED 0.00076MM													
E		D		SIZE		RESTRICTED TO													
18.8		17.6		A3		CAGE CODE													
C		B		00779		DRAWING NO													
17		14.4		G-2013011		SCALE													
A		POS		CUSTOMER DRAWING		4:1													
50				SCALE		SHEET													
				4:1		2 OF 2													
				SCALE		REV													
				4:1		B													