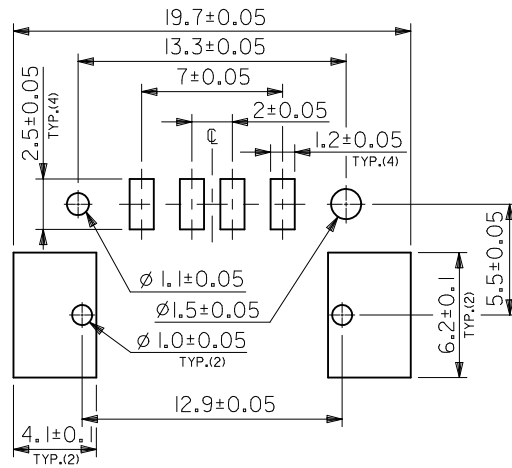
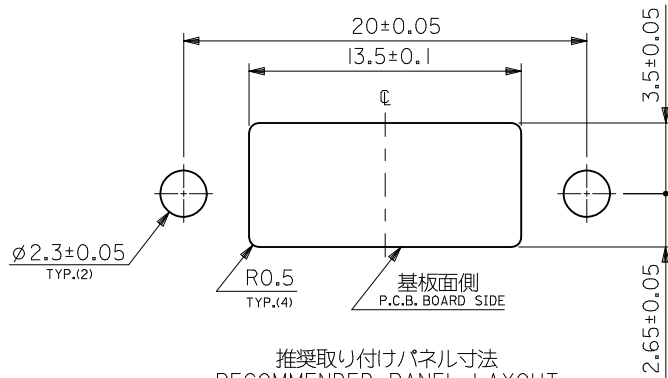


MODEL NO. 54366-***19

REVISED EC NO: J2011-0208 DRWN: TENAGASE 2010/08/06 CHKD: CHIKANO 2010/08/06 APPR: MYAGI 2010/09/03	GENERAL TOLERANCES (UNLESS SPECIFIED)		DIMENSION STYLE MM ONLY		SCALE --- METRIC		DESIGN UNITS METRIC		THIRD ANGLE PROJECTION	
	10 UNDER ±0.2		DRAWN BY DATE		TITLE		USB I/O CONN. (SIDE FLANGE REVERSE SMT TYPE) -LEAD FREE-		MOLEX INCORPORATED	
	10 OVER 30 UNDER ±0.25		CHECKED BY DATE MSASAO 2004/03/24		MATERIAL NO.					
	30 OVER ±0.3		APPROVED BY DATE		54366-0419		SD-54366-007		1 OF 2	
ANGULAR ±3 °		DRAFT WHERE APPLICABLE MUST REMAIN WITHIN DIMENSIONS		SIZE A3		THIS DRAWING CONTAINS INFORMATION THAT IS PROPRIETARY TO MOLEX INCORPORATED AND SHOULD NOT BE USED WITHOUT WRITTEN PERMISSION				



推奨基板寸法
RECOMMENDED PCB LAYOUT



推奨取り付けパネル寸法
RECOMMENDED PANEL LAYOUT

注記
NOTES:

1. 材質
MATERIAL
ハウジング : PA(ホリアミド) 、ガラス充填
白色、UL94V-0
HOUSING : PA (POLYONAMETHYLENE TEREPHTHALAMIDE)
,GLASS FILLED,WHITE,UL94V-0

ターミナル : 燐青銅 (t=0.3)
TERMINAL : PHOSPHOR BRONZE(t=0.3)
シェル : 黄銅 (t=0.4)
SHELL : BRASS(t=0.4)
2. メッキ仕様
PLATING
ターミナル
TERMINAL
接点部 : 金メッキ 最小0.75マイクロメートル
CONTACT AREA:GOLD 0.75 MICROMETER MINIMUM
半田付け部 : 錫メッキ 最小1.0マイクロメートル
SOLDER TAIL AREA:TIN 1.0 MICROMETER MINIMUM
下地メッキ : ニッケルメッキ 最小1.25マイクロメートル
UNDER PLATING:NICKEL 1.25 MICROMETER MINIMUM
シェル : 錫メッキ 最小1.0マイクロメートル
SHELL:TIN 1.0 MICROMETER MINIMUM
下地メッキ ニッケルメッキ 最小2.0マイクロメートル
UNDER PLATING:NICKEL 2.0 MICROMETER MINIMUM
3. テール平坦度は、最大0.1ミリメートル
TAIL COPLANARITY TO BE 0.1MMAXIMUM
4. 本製品は54366-***12の鉛フリー品である。
THIS PRODUCT IS LEAD FREE OF 54366-***12.

MODEL NO. 54366-***19

REVISED EC NO: J2011-0208 DRWN: TENAGASE 2010/08/06 CHKD: CHIKANO 2010/08/06 APPR: MYAGI 2010/09/03	GENERAL TOLERANCES (UNLESS SPECIFIED)		DIMENSION STYLE MM ONLY	SCALE ---	DESIGN UNITS METRIC	THIRD ANGLE PROJECTION	
	10 UNDER	±0.2	DRAWN BY DATE	TITLE USB I/O CONN. (SIDE FLANGE REVERSE SMT TYPE) -LEAD FREE-			
	10 OVER 30 UNDER	±0.25	CHECKED BY MSASAO	DATE 2004/03/24	MOLEX INCORPORATED		
	30 OVER	±0.3	APPROVED BY	DATE	MATERIAL NO. 54366-0419	DOCUMENT NO. SD-54366-007	SHEET NO. 2 OF 2
A	DESCRIPTION ANGULAR ±3 ° DRAFT WHERE APPLICABLE MUST REMAIN WITHIN DIMENSIONS	SIZE A3	THIS DRAWING CONTAINS INFORMATION THAT IS PROPRIETARY TO MOLEX INCORPORATED AND SHOULD NOT BE USED WITHOUT WRITTEN PERMISSION				

