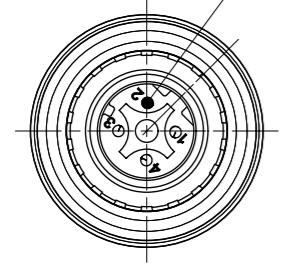


VIEW FROM THE FRONT SIDE

PIN	WIRE COLOR
1	YE
2	WH
3	OR
4	BU

SHIELD CONNECTED TO COUPLING NUTS



VIEW FROM THE FRONT SIDE

PART No. MATRIX

E	W	W	A	0	6	2	1	0	M	X	X	X
---	---	---	---	---	---	---	---	---	---	---	---	---

E=ETHERNET

HEADS:
W=M12 4-Pole Ultra Lock D-Coding
W=M12 4-Pole Ultra Lock D-Coding

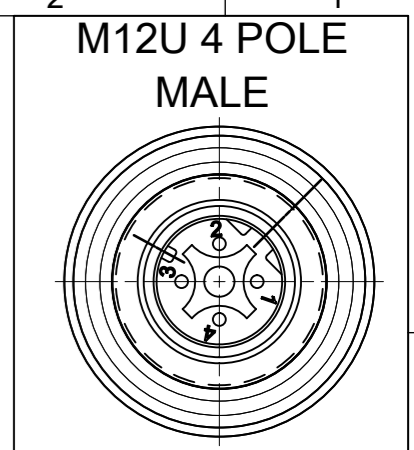
HEADS STYLE:
062=MALE STR / MALE RA

UNITS:
M = METER
T=10x METER

LENGTH EXAMPLES:
005=0.5m
010=1m
150=15m

WIRING TYPE:
A=4 Pole STRAIGHT WIRED

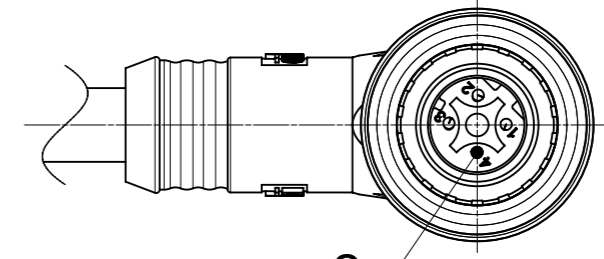
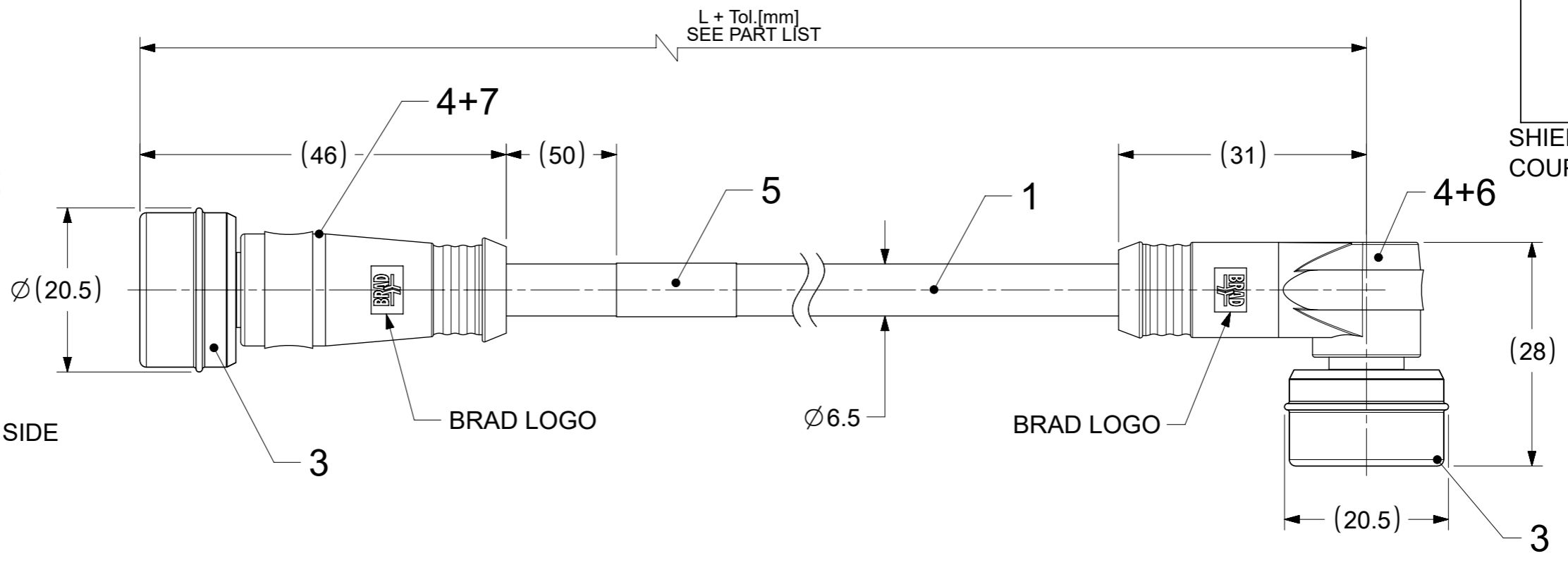
CABLE TYPE



VIEW FROM THE FRONT SIDE

PIN	WIRE COLOR
1	YE
2	WH
3	OR
4	BU

SHIELD CONNECTED TO COUPLING NUTS



VIEW FROM THE FRONT SIDE

PART LIST

MOLEX PN	ENGINEERING No	L+Tol. [mm]
1201080097	EWWA06210M006	600+45
1201080098	EWWA06210M010	1000 +56
1201080099	EWWA06210M020	2000 +89
1201080100	EWWA06210M050	5000+165
1201080101	EWWA06210M100	10000+317
1201080151	EWWA06210M030	3000+89

BOM

ITEM	QTY.	DESCRIPTION	MATERIAL	FINISH/COLOR
7	1	LEEVE SHIELD	BRASS	Ni-PLATED
6	1	SHIELD CLOSURE CAP-90	BRASS	Ni-PLATED
5	1	LABEL	VINYL	YELLOW
4	-	MOULDING MATERIAL	TPU	BLACK
3	2	ULTRALOCK MALE ASSEMBLY	-	-
2	8	CONTACT MALE	BRASS	Au OVER Ni
1	-	ETHERNET CABLE-CAT5eES	PUR	GREEN

NOTES :

ACC. TO CAT5e ETHERNET STD.
 MAX. VOLTAGE : 30V
 MAX. CURRENT : 1.5A
 IP RATING : IP67
 TEMPERATURE RANGE : -20°C TO +75°C

<p>FUNCTIONAL SYMBOLS</p> <p>FA = 0</p> <p>FE = 0</p> <p>FEV = 0</p> <p>DIVISIONAL SYMBOLS</p>	<p>THIS DRAWING CONTAINS INFORMATION THAT IS PROPRIETARY TO MOLEX ELECTRONIC TECHNOLOGIES, LLC AND SHOULD NOT BE USED WITHOUT WRITTEN PERMISSION</p> <p>SCALE: 3:2</p> <p>GENERAL TOLERANCES (UNLESS SPECIFIED)</p> <p>ANGULAR TOL ± 1.0°</p> <p>4 PLACES ±</p> <p>3 PLACES ±</p> <p>2 PLACES ± 0.05</p> <p>1 PLACE ± 0.3</p> <p>0 PLACES ± 0.5</p> <p>DRAFT WHERE APPLICABLE MUST REMAIN WITHIN DIMENSIONS</p>	<p>CURRENT REV DESC:</p> <p>EC NO: 703538</p> <p>DRWN: SSM 2022/03/29</p> <p>CHK'D: RSILLER 2022/04/22</p> <p>APPR: RSILLER 2022/04/22</p> <p>INITIAL REVISION:</p> <p>DRWN: SSM 2022/03/29</p> <p>APPR: RSILLER 2022/04/22</p> <p>THIRD ANGLE PROJECTION</p>		<p>PRODUCT CUSTOMER DRAWING</p> <p>DOCUMENT NUMBER: 1201080097</p> <p>DOC TYPE: PSD</p> <p>DOC PART: 000</p> <p>REVISION: A</p>	<p>SHEET NUMBER: 1 OF 1</p>
<p>GENERAL TOLERANCES (UNLESS SPECIFIED)</p>		<p>EC NO: 703538</p> <p>DRWN: SSM 2022/03/29</p> <p>CHK'D: RSILLER 2022/04/22</p> <p>APPR: RSILLER 2022/04/22</p>		<p>PRODUCT CUSTOMER DRAWING</p>	
<p>INITIAL REVISION:</p>		<p>DRWN: SSM 2022/03/29</p> <p>APPR: RSILLER 2022/04/22</p>		<p>DOCUMENT NUMBER: 1201080097</p> <p>DOC TYPE: PSD</p> <p>DOC PART: 000</p> <p>REVISION: A</p>	
<p>DRAFT WHERE APPLICABLE MUST REMAIN WITHIN DIMENSIONS</p>		<p>THIRD ANGLE PROJECTION</p>		<p>SHEET NUMBER: 1 OF 1</p>	