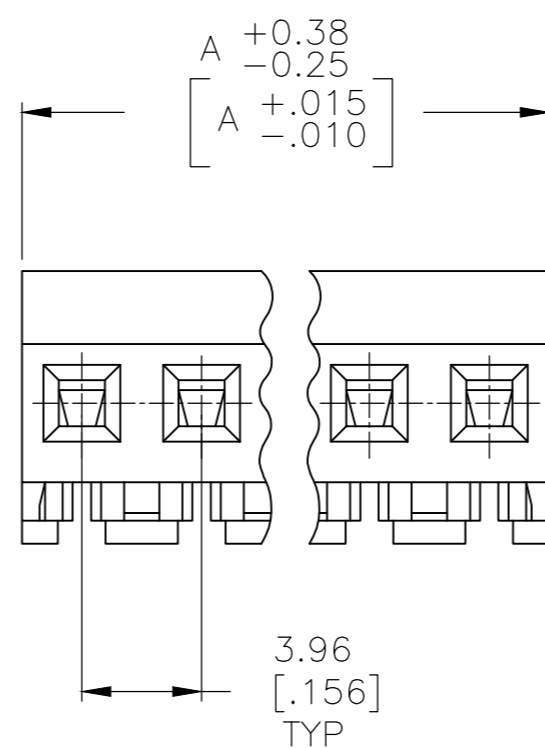
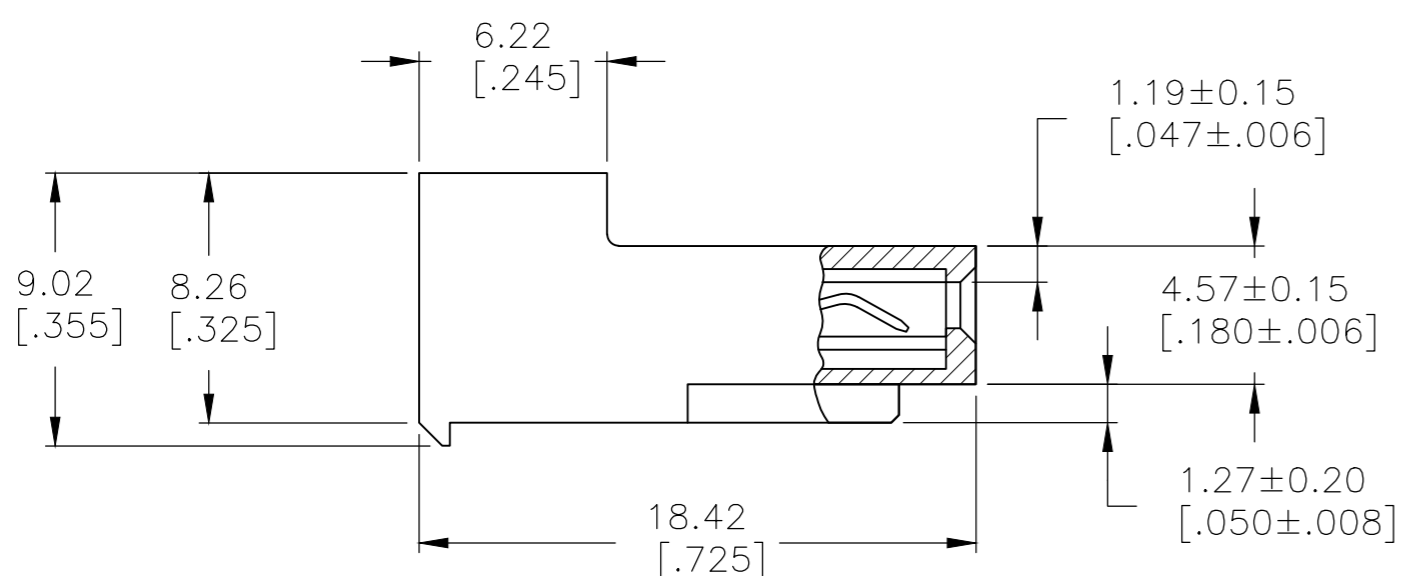
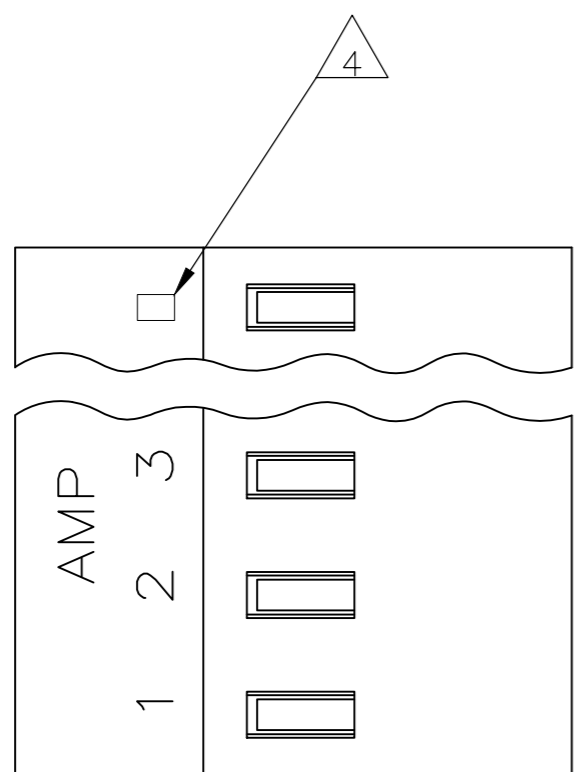


THIS DRAWING IS UNPUBLISHED. RELEASED FOR PUBLICATION  
 © COPYRIGHT - By - TE CONNECTIVITY ALL RIGHTS RESERVED.

LOC	DIST	REVISIONS					
CM	00	P	LTR	DESCRIPTION	DATE	DWN	APVD
		V		REVISED PER ECR-20-000820	27MAY2020	PC	SW



1 MATERIAL: CONNECTOR - NYLON UL94V-2 (YELLOW).  
 CONTACTS - 0.00076[.000030] GOLD THK OR 0.00008[.000003] MIN THK GOLD FLASH OVER 0.00068[.000027] THK PALLADIUM NICKEL, PER TE CONNECTIVITY'S DISCRETION, IN CONTACT AREA WITH BRIGHT TIN-LEAD FOR 641223-2 THRU 2-641223-4, MATTE WHISKER MITIGATED TIN FOR 3-641223-2 THRU 5-641223-4 OVER NICKEL UNDERPLATE.

2 CONTACTS ACCEPT 20 AWG WIRE WITH 2.41[.095] MAX INSULATION DIAMETER.

3 CONTACTS MUST ACCEPT 1.14±0.03 [.045±.001] SQUARE POST AND REMAIN LOCKED IN POSITION.

4 IDENTIFICATION NUMBER FOR LAST CIRCUIT MAY NOT APPEAR ON ALL ASSEMBLIES.

5 DIMENSIONS IN BRACKETS ARE IN INCHES.

6 HOUSING FEATURES ARE: CLOSED END WITHOUT LOCKING RAMP.

7 OBSOLETE PARTS: OBSOLETE CIS STREAMLINING PER D.RENAUD/D.SINISI

95.10	[3.744]	24	5-641223-4
91.14	[3.588]	23	5-641223-3
87.17	[3.432]	22	5-641223-2
83.21	[3.276]	21	5-641223-1
79.25	[3.120]	20	5-641223-0
75.29	[2.964]	19	4-641223-9
71.32	[2.808]	18	4-641223-8
67.36	[2.652]	17	4-641223-7
63.40	[2.496]	16	4-641223-6
59.44	[2.340]	15	4-641223-5
55.47	[2.184]	14	4-641223-4
51.51	[2.028]	13	4-641223-3
47.55	[1.872]	12	4-641223-2
43.59	[1.716]	11	4-641223-1
39.62	[1.560]	10	4-641223-0
35.66	[1.404]	9	3-641223-9
31.70	[1.248]	8	3-641223-8
27.74	[1.092]	7	3-641223-7
23.77	[.936]	6	3-641223-6
19.81	[.780]	5	3-641223-5
15.85	[.624]	4	3-641223-4
11.89	[.468]	3	3-641223-3
7.92	[.312]	2	3-641223-2

7	SUPERCEDED BY 5-641223-4	95.10	[3.744]	24	—2-641223-4
7	SUPERCEDED BY 5-641223-3	91.14	[3.588]	23	—2-641223-3
7	SUPERCEDED BY 5-641223-2	87.17	[3.432]	22	—2-641223-2
7	SUPERCEDED BY 5-641223-1	83.21	[3.276]	21	—2-641223-1
7	SUPERCEDED BY 5-641223-0	79.25	[3.120]	20	—2-641223-0
7	SUPERCEDED BY 4-641223-9	75.29	[2.964]	19	—1-641223-9
7	SUPERCEDED BY 4-641223-8	71.32	[2.808]	18	—1-641223-8
7	SUPERCEDED BY 4-641223-7	67.36	[2.652]	17	—1-641223-7
7	SUPERCEDED BY 4-641223-6	63.40	[2.496]	16	—1-641223-6
	OBSOLETE	59.44	[2.340]	15	—1-641223-5
7	SUPERCEDED BY 4-641223-4	55.47	[2.184]	14	—1-641223-4
7	SUPERCEDED BY 4-641223-3	51.51	[2.028]	13	—1-641223-3
	OBSOLETE	47.55	[1.872]	12	—1-641223-2
	OBSOLETE	43.59	[1.716]	11	—1-641223-1
7	SUPERCEDED BY 4-641223-0	39.62	[1.560]	10	—1-641223-0
7	SUPERCEDED BY 3-641223-9	35.66	[1.404]	9	—641223-9
7	SUPERCEDED BY 3-641223-8	31.70	[1.248]	8	—641223-8
7	SUPERCEDED BY 3-641223-7	27.74	[1.092]	7	—641223-7
7	SUPERCEDED BY 3-641223-6	23.77	[.936]	6	—641223-6
7	SUPERCEDED BY 3-641223-5	19.81	[.780]	5	—641223-5
7	SUPERCEDED BY 3-641223-4	15.85	[.624]	4	—641223-4
7	SUPERCEDED BY 3-641223-3	11.89	[.468]	3	—641223-3
7	SUPERCEDED BY 3-641223-2	7.92	[.312]	2	—641223-2

DIM A NO OF CIRCUITS PART NO

THIS DRAWING IS A CONTROLLED DOCUMENT.		DWN B. LEWIS 12 FEB 91		
DIMENSIONS: mm [INCHES]		CHK R. SWING 12 FEB 91		
TOLERANCES UNLESS OTHERWISE SPECIFIED:		APVD D. CLARK 20 FEB 91	NAME	
0 PLC ± -	1 PLC ± -	PRODUCT SPEC	MTA-156 CONNECTOR ASSEMBLY, 20 AWG, STANDARD	
2 PLC ± -	3 PLC ± -	108-1051	SIZE	CAGE CODE
4 PLC ± -	ANGLES ± -	114-1020	A2	00779
MATERIAL	FINISH	WEIGHT	DRAWING NO	RESTRICTED TO
1	1	-	C=641223	-
CUSTOMER DRAWING			SCALE	SHEET
			4:1	1 OF 1
			REV	V