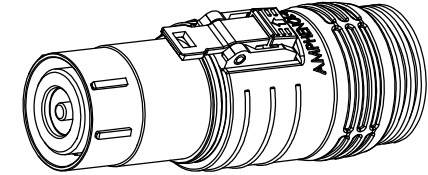


THIS DRAWING IS SUPPLIED FOR INFORMATION ONLY. DESIGN FEATURES, SPECIFICATIONS AND PERFORMANCE DATA SHOWN HEREON ARE THE PROPERTY OF THE AMPHENOL CORPORATION. NO RIGHTS OF REPRODUCTION ARE IMPLIED. ALL DIMENSIONS ARE SUBJECT TO NORMAL MANUFACTURING VARIATIONS.

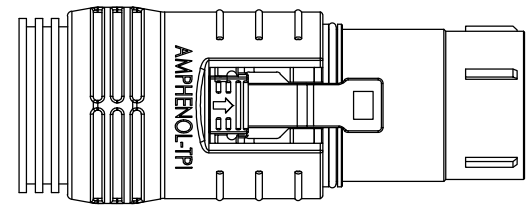
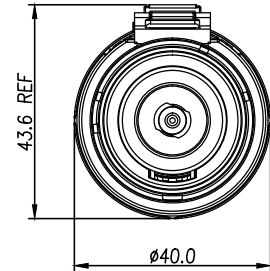
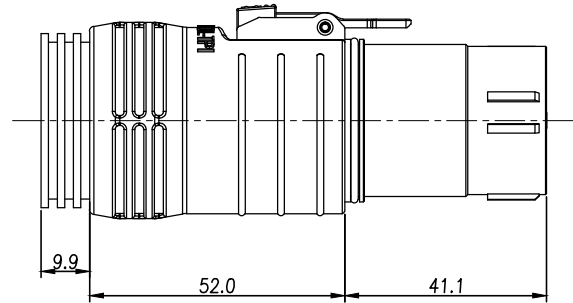
Customer Drawing

| REVISIONS |      |     |                 |          |     |      |
|-----------|------|-----|-----------------|----------|-----|------|
| REV       | ZONE | ECO | DESCRIPTION     | DATE     | BY  | APPR |
| A         | --   | --  | INITIAL RELEASE | 11/14/19 | Tim | JL   |



Standard Part List

| P/N         | Polarization |
|-------------|--------------|
| PL10X-501-B | X            |
| PL10Y-501-B | Y            |
| PL10U-501-B | U            |
| PL10V-501-B | V            |
| PL10W-501-B | W            |



- 规格参数 (Spec.):
1. 工作温度 Operating temperature: -40° C~+125° C.
  2. 耐电压 Dielectric withstanding voltage: 5000 VDC.
  3. 防护等级 Protection class: IP67 & IP2X.
  4. 电磁屏蔽 Shielding.
  5. 机械寿命 Mating cycle: 100 Min.
  6. 带自动二次锁扣 Automatic secondary lock.
  7. 带高压互锁 Electrical interlock (HVIL).
  8. 对配插座见图纸 Mating receptacle see drawing: PL00-500.

|              |  |             |            |  |             |                               |  |
|--------------|--|-------------|------------|--|-------------|-------------------------------|--|
|              | Amphenol Technical Products International GZ |             |            |  |             | PART NAME:                    |  |
|              | 第三角投影<br>THIRD ANGLE<br>PROJECTION           | 页面<br>SHEET | 幅面<br>SIZE | 版次<br>REV.   | 比例<br>SCALE | PowerLok 14mm 1POS Blind Plug |  |
| 签名 SIGNATURE |  | 日期 DATE     |            | UNLESS OTHERWISE SPECIFIED   |             | DWG NO:                       |  |
| 制图 DRAWN     |  | Tim         |            | 09/24/19   |             | PL10 (X)-501-B                |  |
| 审核 CHECKED   |  |             |            | 1) All dimensions are in metric (mm).<br>2) Tolerances are as follows:<br>0 PL DEC ±1.00<br>1 PL DEC ±0.50<br>2 PL DEC ±0.20 |             | CUST PART #:                  |  |
| 批准 APPROVAL  |  |             |            | Angles ±1°   |             | N/A                           |  |
|              |  |             |            |  |             | CUST REV.                     |  |
|              |  |             |            |  |             | -                             |  |