

HERMAPHRODITIC PUSH-PULL CONNECTORS

 SERIES

4.21 mm

4.295 mm

4.38 mm

4.65 mm

4.5 mm

B7

B8

B9

240

Frequency / GHz

245

250

 **LEMO**[®]

Precision modular connectors to suit your application

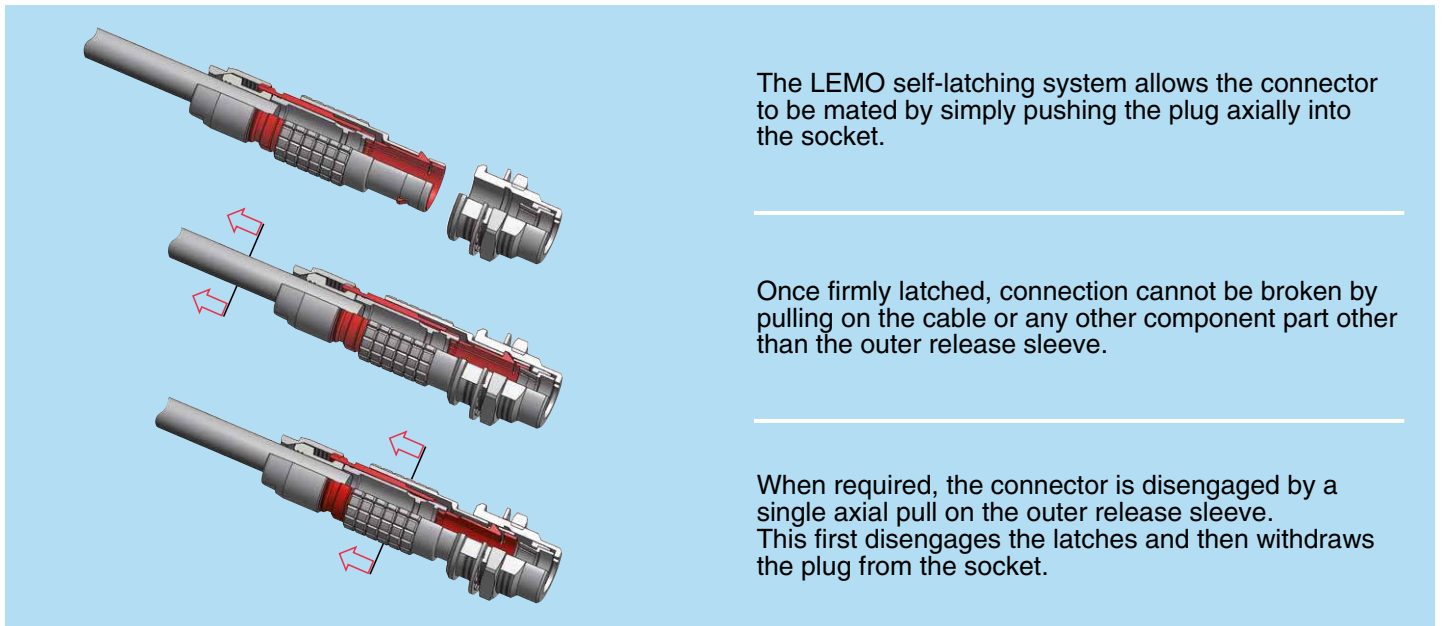
Since its creation in Switzerland in 1946 the LEMO Group has been recognized as a global leader of circular Push-Pull connectors and connector solutions. Today LEMO and its affiliated companies, REDEL and COELVER, are active in more than 80 countries with the help of over 40 subsidiaries and distributors.

Over 75000 connectors

The modular design of the LEMO range provides over 75000 connectors from miniature \varnothing 3 mm to \varnothing 50 mm, capable of handling cable diameters up to 30 mm and for up to 114 contacts. This vast portfolio enables you to select the ideal connector configuration to suit almost any specific requirement in most markets, including medical devices, test and measurement instruments, machinery, audio video broadcast, telecommunications and military.

LEMO's Push-Pull Self-Latching Connection System

This self-latching system is renowned worldwide for its easy and quick mating and unmating features. It provides absolute security against vibration, shock or pull on the cable, and facilitates operation in a very limited space.



The LEMO self-latching system allows the connector to be mated by simply pushing the plug axially into the socket.

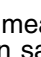
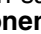
Once firmly latched, connection cannot be broken by pulling on the cable or any other component part other than the outer release sleeve.

When required, the connector is disengaged by a single axial pull on the outer release sleeve. This first disengages the latches and then withdraws the plug from the socket.

UL Recognition

LEMO connectors are recognized by the Underwriters Laboratories (UL). The approval of the complete system (LEMO connector, cable and your equipment) will be easier because LEMO connectors are recognized.

CE marking

CE marking  means that the appliance or equipment bearing it complies with the protection requirements of one or several European safety directives. CE marking  applies to complete products or equipment, **but not to electromechanical components, such as connectors.**

RoHS

LEMO connector specifications conforms the requirements of the RoHS directive (2011/65/EU) of the European Parliament and the latest amendments. This directive specifies the restrictions of the use of hazardous substances in electrical and electronic equipment marketed in Europe.

Product safety notice & disclaimers

Please read and follow all instructions specified on the last page or on our [website](#) carefully and consult all relevant national and international safety regulations for your application. Improper handling, cable assembly, or wrong use of connectors can result in hazardous situations.

LEMO products and services are provided "as is." LEMO makes no warranties or representations with regard to LEMO product & services or use of them, express, implied or statutory, including for accuracy, completeness, or security.

In no event shall LEMO be liable for any direct, indirect, punitive, incidental, special consequential damages, to property or life, whatsoever arising out of or connected with the use or misuse of LEMO's products.

SH-MH Series

The LEMO Hermaphroditic series provide a rugged high performance patented push-pull hermaphroditic interconnection system. These «genderless» connectors combine LEMO's well proven push-pull latching technology and the use of our standard high quality optical and electrical contacts.

The main features of these series are as follow:

- security of a new patented push-pull hermaphroditic self-latching system
- 2 shell sizes, SH and MH series
- compact unsealed version for general purpose applications
- rugged waterproof (IP 68) version for all outdoor applications
- a choice of multifibre or electrical contacts configurations
- lightweight design with shell in anthracite nickel-plated aluminium alloy
- low loss ceramic PC technology in multimode and singlemode
- gold plated electrical contacts.

Each series consists of plug and socket which will accept cable diameter ranging from 3.6 mm to 10 mm. Initial program is giving solutions with 2, 4 or 6 fibre optic channel and 6 or 12 electrical contacts.

Standard version

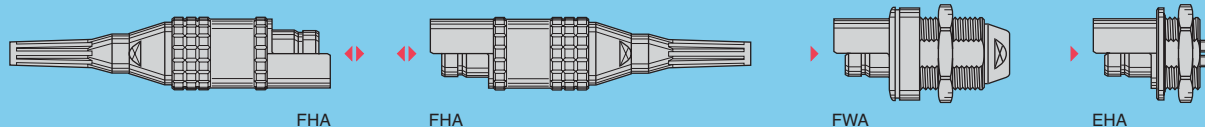
(IP 50 when mated)

Straight plug

Straight plug

Fixed plug

Fixed socket



Sealed version

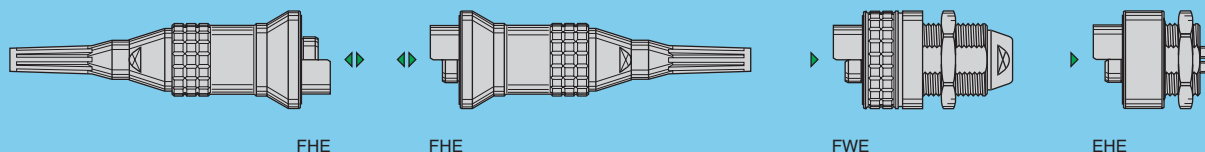
(IP 68 when mated)

Straight plug

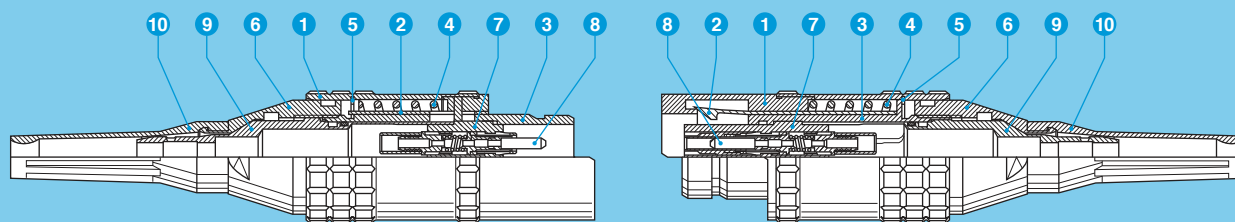
Straight plug

Fixed plug

Fixed socket



Part Section Showing Internal Components



- | | |
|----------------|-------------------|
| 1 shell | 6 collet nut |
| 2 latch sleeve | 7 insulator |
| 3 inner shell | 8 optical contact |
| 4 spring | 9 cable adapter |
| 5 circlip | 10 bend relief |

Technical Characteristics

Mechanical and Environmental

Characteristics		Value	Standard	
Mating durability		2000 cycles	IEC 60512-5 test 9a	
Temperature range		-55°C to +125°C ¹⁾		
Vibration resistance		10-2000 Hz, 15 g	IEC 60512-4 test 6d	
Shock resistance		100 g, 6 ms	IEC 60512-4 test 6c	
Protection index FHE/FHE		IP 68	IEC 60529	
Water immersion FHE/FHE		up to 2 meters depth		
Protection index FHA/FHA		IP 50	IEC 60529	
Average latching retention	SH series	plug/plug	600 N	IEC 60512-8 test 15f
		plug/socket	300 N	IEC 60512-8 test 15f
	MH series	plug/plug	800 N	IEC 60512-8 test 15f
		plug/socket	400 N	IEC 60512-8 test 15f

Electrical

Characteristics		Value	Standard
Insulation resistance		> 10 ¹² Ω	IEC 60512-2 test 3a
Contact resistance		< 3.6 mΩ	IEC 60512-2 test 11f
Shell resistance		< 10 mΩ	IEC 60512-2 test 2f

Notes: ¹⁾ with f.o. contacts temperature range -40°C/+80°C

Optical

Characteristics	Value	Standard	Method
Average insertion loss fibre 9/125 μm	0.18 dB	IEC 61300-03-34	Method 2
Average insertion loss fibre 50/125 μm	0.25 dB	IEC 61300-03-34	Method 2
Return loss fibre 9/125 μm (UPC)	≥45 dB	IEC 61300-03-06	Coupler Method
Return loss fibre 9/125 μm (Hand polish)	>25 dB	IEC 61300-03-06	Coupler Method

Materials and Treatments

Component	Material (Standard)	Surface treat (μm)		
		nickel		
		Cu	Ni	Au
Outer shell, collet nut ¹⁾	Alum. (AA 6262A or AA 6023)	–	5	–
Latch sleeve	Special brass	0.5	3	–
Other metallic parts	Alum. (AA 6262A or AA 6023)	–	5	–
Spring	Stainless steel	without treatment		
Insulator	PEEK	without treatment		
Electrical contacts	Brass (male)/Bronze (female)	0.5	3	1
O-ring and gaskets	Silicone MQ / MVQ	without treatment		

Notes: ¹⁾ anthracite colour

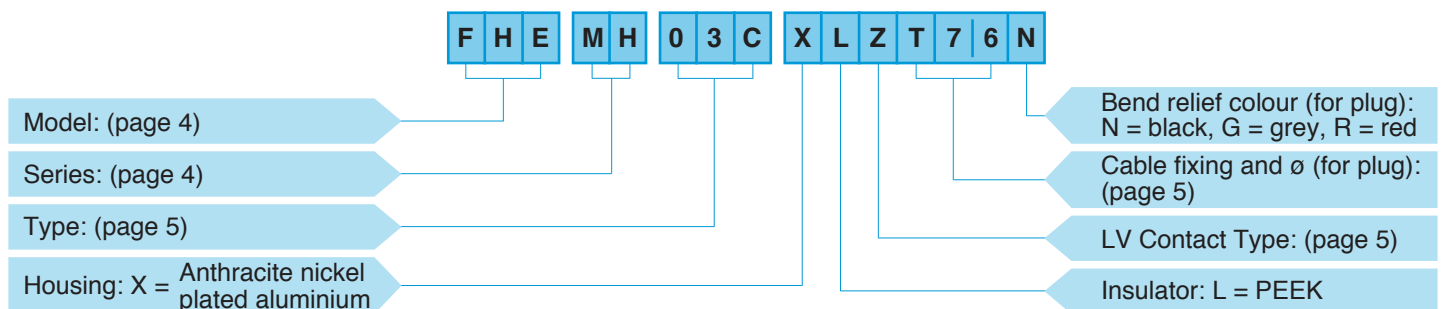
Part Number Example

A different part number structure is applicable for each of the following product types:

– Plugs and fixed sockets; fibre optic contacts.

Note: The fibre optic contacts must be ordered separately. An equal number of contacts must be ordered (eg. for MH.03C; 2 x FFS.F2 and 2 x PSS.F2).

Straight plug with bend relief



FHE.MH.03C.XLZT76N = Straight plug (IP 68 when mated), MH series, multifibre to accept 4 F2 type fibre optic contacts, anthracite nickel plated aluminium shell, PEEK insulator, with cable fixing type T for 7.5 to 6.6 mm cable and black bend relief.

Fiber optic contact

F F S F 2 B A 2 L C E 3 0

Model: FFS = Male contact
PSS = Female contact

FO Contact type:
F2 for SH.03A & MH.03C
F7 for SH.03C & MH.03E

Fibre type: (page 5)

Body: L = PEEK

Cable ø for F2:
T10 = 0.25 to 1.1 mm
E30 = 1.7 to 3.0 mm

Cable ø for F7:
E23 = 0.25 to 2.0 mm

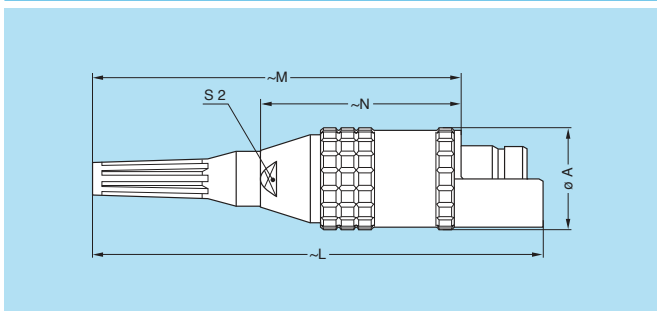
Ferrule material:
C = Zirconia ceramic

FFS.F2.BA2.LCE30 = Male F2 type fibre optic contact, ferrule bore diameter of 125 µm, PEEK body, Zirconia ceramic ferrule, crimp cable fixing, for tight jacket cable with a diameter between 1.7 to 3.0 mm.



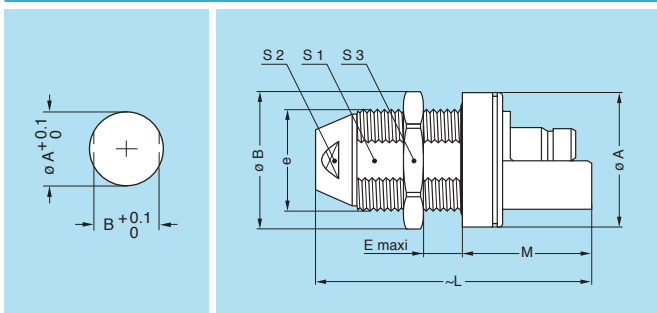
Models - Series

FHA Straight plug with cable adapter or collet and nut with bend relief



Reference		Dimensions (mm)				
Model	Series	A	L	M	N	S2
FHA	SH	21.8	98.4	82.2	46.2	13
FHA	MH	25.4	109.3	89.1	47.1	15

FWA Fixed plug, nut fixing

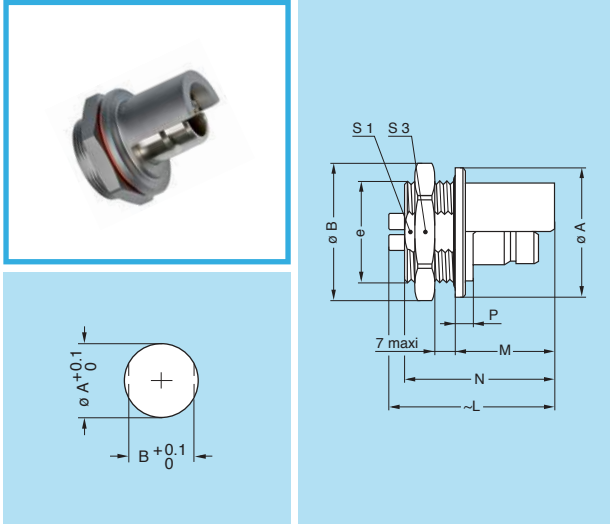


Reference		Dimensions (mm)								
Model	Series	A	B	e	E	L	M	S1	S2	S3
FWA	SH	28.5	28.5	M22x1	14	55.0	26.5	20.5	14	25
FWA	MH	34.0	34.0	M25x1	17	64.5	31.5	23.5	17	30

Panel cut-outs

Series	Dim. (mm)	
	ø A	B
SH	22.2	20.6
MH	25.2	23.6

EHA Fixed socket, nut fixing

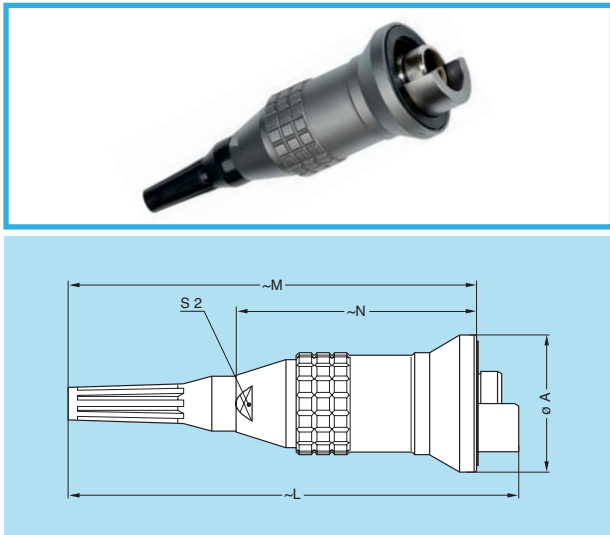


Reference		Dimensions (mm)									
Model	Series	A	B	e	L		M	N	P	S1	S3
					optic	elect.					
EHA	SH	27	28.5	M22x1	38.8	30.5	19.5	30.5	3.3	20.5	25
EHA	MH	32	34.0	M25x1	40.8	37.0	24.5	37.0	4.3	23.5	30

Panel cut-outs

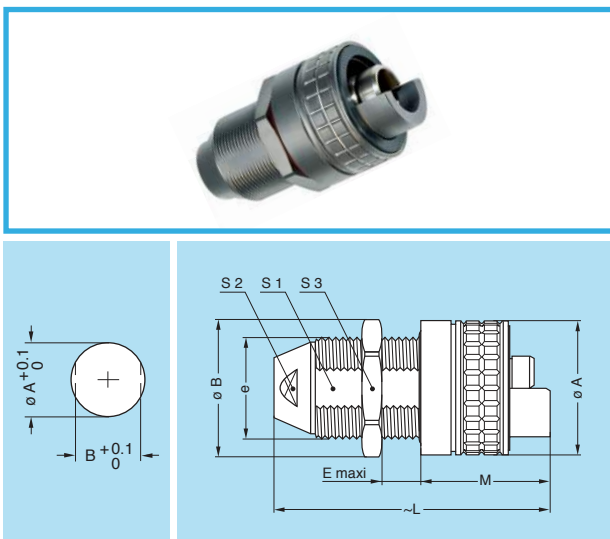
Series	Dim. (mm)	
	ø A	B
SH	22.2	20.6
MH	25.2	23.6

FHE Straight plug with cable adapter or collet and nut with bend relief (IP 68 when mated)



Reference		Dimensions (mm)				
Model	Series	A	L	M	N	S2
FHE	SH	28.5	98.4	90.0	54.0	13
FHE	MH	34.0	109.3	98.9	56.9	15

FWE Fixed plug, nut fixing (IP 68 when mated)



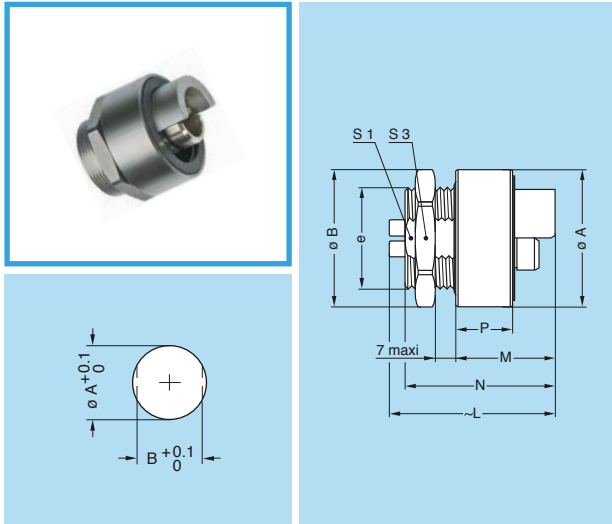
Reference		Dimensions (mm)								
Model	Series	A	B	e	E	L	M	S1	S2	S3
FWE	SH	28.5	28.5	M22x1	14	55.0	26.5	20.5	14	25
FWE	MH	34.0	34.0	M25x1	17	64.5	31.5	23.5	17	30

Panel cut-outs

Series	Dim. (mm)	
	ø A	B
SH	22.2	20.6
MH	25.2	23.6



EHE Fixed socket, nut fixing (IP 68 when mated)



Reference		Dimensions (mm)									
Model	Series	A	B	e	L		M	N	P	S1	S3
					optic	elect.					
EHE	SH	28.5	28.5	M22x1	38.8	30.5	19.5	30.5	11.1	20.5	25
EHE	MH	34.0	34.0	M25x1	40.8	37.0	24.5	37.0	14.1	23.5	30

Panel cut-outs

Series	Dim. (mm)	
	ø A	B
SH	22.2	20.6
MH	25.2	23.6

Insert configuration

	Plug	Socket	Reference	FO contact		Low Voltage contact						
				F2 Nb	F7 Nb	Contact Nb	ø A (mm)	Contact type		Test voltage (kV rms)	Test voltage (kV dc)	Rated current (A)
								AWG max.	AWG			
	Solder	Crimp										
SH			03A	2	-	-	-	-	-	-	-	-
			03C	-	4	-	-	-	-	-	-	-
			306	-	-	6	1.3	20	18-20	1.5	2.1	12
MH			03C	4	-	-	-	-	-	-	-	-
			03E	-	6	-	-	-	-	-	-	-
			312	-	-	12	1.3	20	18-20	1.0	1.5	8

Note: Other arrangement, optical, electrical or hybrid optical-electrical can be made available upon request.

WARNING: There is no contact number on the insulator. When wiring one hermaphroditic connector, one should terminate each contact to its mirror image number of the other connector.



Electrical contact

Reference	Contact type
A	solder for plug
C	crimp for plug
L	solder for socket

Reference	Contact type
M	crimp for socket
Z	no contact

Fibre type

Ref. for F2 contact	Ref. for F7 contact	ø Core/Cladding (µm)	Ferrule hole ø (µm)	Note
BA2	125	9/125, 50/125, 62.5/125	125	●
BB2	126	9/125, 50/125, 62.5/125	126	●
BD2	128	9/125, 50/125, 62.5/125	128	○

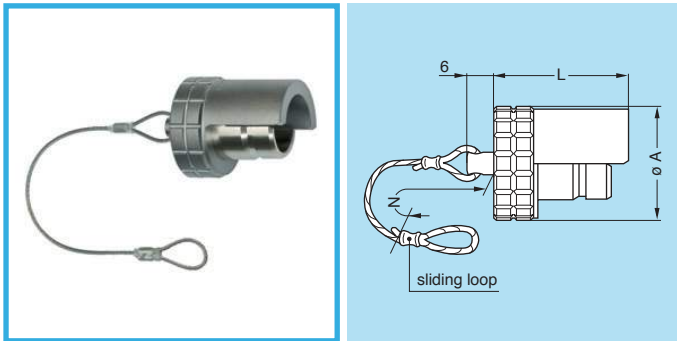
● First choice alternative ○ Special order alternative

Cable diameter

	Adapter «T» for fibre optic connectors			Collet «C» for electrical connectors		
	Ref.	Cable ø		Ref.	Cable ø	
		max.	min.		max.	min.
SH	T46	4.5	3.6	C52	5.0	4.1
	T56	5.5	4.6	C62	6.0	5.1
	T66	6.5	5.6	C72	7.0	6.1
	T76	7.5	6.6	C82	8.0	7.1
MH	T56	5.5	4.6	C62	6.0	5.1
	T66	6.5	5.6	C72	7.0	6.1
	T76	7.5	6.6	C82	8.0	7.1
	T86	8.5	7.6	C92	9.0	8.1
	T91	9.0	8.6	C10	10.0	9.1

Accessories

BFA Cap (for FHA and FWA plugs)

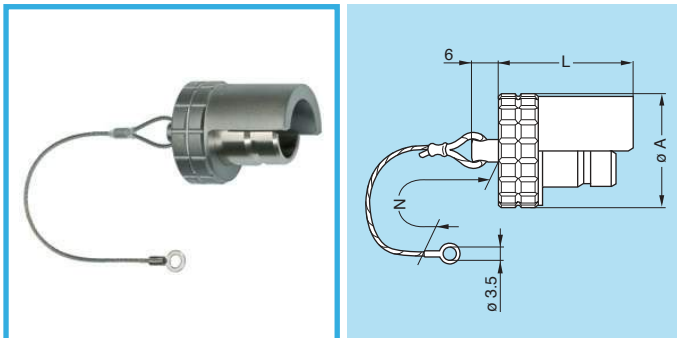


- Body material: Anthracite nickel plated aluminium alloy
- Lanyard material: Stainless steel
- Crimp ferrule material: Nickel-plated brass + polyolefin
- Maximum operating temperature: 125°C
- Watertightness: IP50 according to IEC 60529

Part number	Dimensions (mm)		
	A	L	N ¹⁾
BFA.SH.100.XAZ	21.8	23.5	120
BFA.MH.100.XAZ	25.4	30.0	120

Note: ¹⁾ the tolerance on this dimension is ± 5 mm.

BHA Cap (for FHA and FWA plugs)

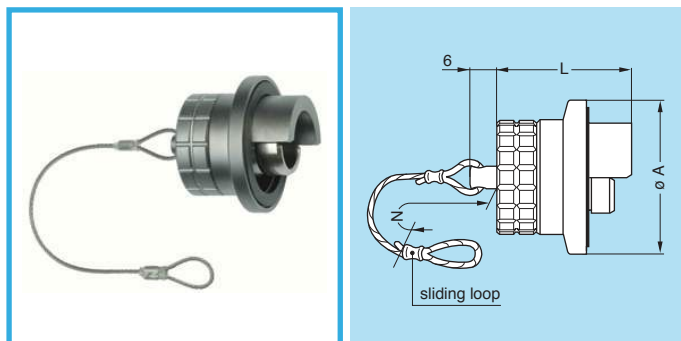


- Body material: Anthracite nickel plated aluminium alloy
- Lanyard material: Stainless steel
- Crimp ferrule material: Nickel-plated brass + polyolefin
- Maximum operating temperature: 125°C
- Watertightness: IP50 according to IEC 60529

Part number	Dimensions (mm)		
	A	L	N ¹⁾
BHA.SH.100.XAZ	21.8	23.5	120
BHA.MH.100.XAZ	25.4	30.0	120

Note: ¹⁾ the tolerance on this dimension is ± 5 mm.

BFE Cap (for FHE and FWE plugs)

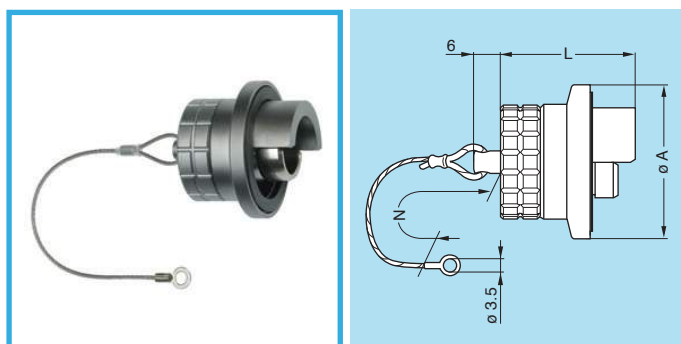


Part number	Dimensions (mm)		
	A	L	N ¹⁾
BFE.SH.100.XAS	28.5	23.5	120
BFE.MH.100.XAS	34.0	30.0	120

- Body material: Anthracite nickel plated aluminium alloy
- Lanyard material: Stainless steel
- Crimp ferrule material: Nickel-plated brass + polyolefin
- O-ring material: Silicone rubber
- Maximum operating temperature: 125°C
- Watertightness: IP68 according to IEC 60529

Note: ¹⁾ the tolerance on this dimension is ± 5 mm.

BHE Cap (for FHE and FWE plugs)



Part number	Dimensions (mm)		
	A	L	N ¹⁾
BHE.SH.100.XAS	28.5	23.5	120
BHE.MH.100.XAS	34.0	30.0	120

- Body material: Anthracite nickel plated aluminium alloy
- Lanyard material: Stainless steel
- Crimp ferrule material: Nickel-plated brass + polyolefin
- O-ring material: Silicone rubber
- Maximum operating temperature: 125°C
- Watertightness: IP68 according to IEC 60529

Note: ¹⁾ the tolerance on this dimension is ± 5 mm.

Tooling

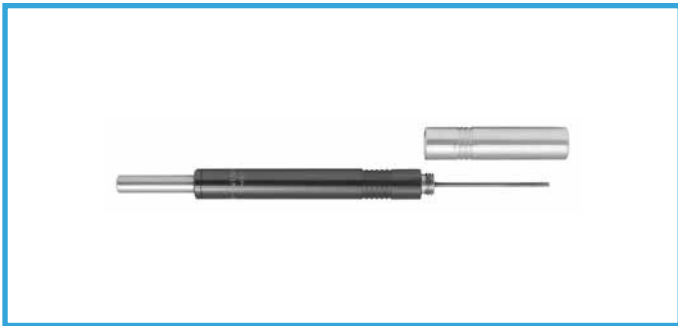
WST.KI.125.34 Cleaning kit for F2 fibre optic contact



Description

Fibre optic cleaning kit of 2 cotton buds, 1 dry and 1 being soaked in IPA (Isopropyl Alcohol) used for cleaning the fibre optic contacts.

DCC.91.F12.LAG Manual extractor for F2 fibre optic contact



DCS Contact alignment device tool for F2 or F7 fibre optic contact



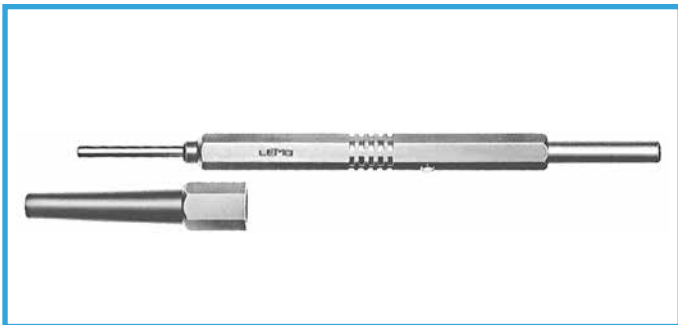
Description

Simple tool with two threaded end for installation/extraction of the F7 contact alignment device.

Part number	Contact type
DCS.F2.035.PN	F2
DCS.F7.035.PN ¹⁾	F7

Note: ¹⁾ Included in the LEMO F7 workstation.

DCC Extractor for F7 fibre optic contact



Description

Manual tool for the extraction of the F7 contact.

Part number
DCC.91.307.5LA ¹⁾

Note: ¹⁾ Included in the LEMO F7 workstation.

Product safety notice

PLEASE READ AND FOLLOW ALL INSTRUCTIONS CAREFULLY AND CONSULT ALL RELEVANT NATIONAL AND INTERNATIONAL SAFETY REGULATIONS FOR YOUR APPLICATION. IMPROPER HANDLING, CABLE ASSEMBLY, OR WRONG USE OF CONNECTORS CAN RESULT IN HAZARDOUS SITUATIONS.

1. SHOCK AND FIRE HAZARD

Incorrect wiring, the use of damaged components, presence of foreign objects (such as metal debris), and / or residue (such as cleaning fluids), can result in short circuits, overheating, and / or risk of electric shock. Mated components should never be disconnected while live as this may result in an exposed electric arc and local overheating, resulting in possible damage to components.

2. HANDLING

Connectors and their components should be visually inspected for damage prior to installation and assembly. Suspect components should be rejected or returned to the factory for verification. Connector assembly and installation should only be carried out by properly trained personnel. Proper tools must be used during installation and / or assembly in order to obtain safe and reliable performance.


3. USE

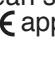
Connectors with exposed contacts should never be live (or on the current supply side of a circuit). Under general conditions voltages above 30 VAC and 42 VDC are considered hazardous and proper measures should be taken to eliminate all risk of transmission of such voltages to any exposed metal part of the connector.

4. TEST AND OPERATING VOLTAGES

The maximum admissible operating voltage depends upon the national or international standards in force for the application in question. Air and creepage distances impact the operating voltage; reference values are indicated in the catalog however these may be influenced by PC board design and / or wiring harnesses. The test voltage indicated in the catalog is 75% of the mean breakdown voltage; the test is applied at 500 V/s and the test duration is 1 minute.

5. CE MARKING

CE marking  means that the appliance or equipment bearing it complies with the protection requirements of one or several European safety directives.

CE marking  applies to complete products or equipment, **but not to electromechanical components, such as connectors.**

6. PRODUCT IMPROVEMENTS

The LEMO Group reserves the right to modify and improve to our products or specifications without providing prior notification.

7. **WARNING (Prop 65 State of California)**

Proposition 65 requires businesses to provide warnings to Californians about significant exposures to chemicals that cause cancer, birth defects or other reproductive harm. LEMO products are exempt from proposition 65 warnings because they are manufactured, marketed, and sold solely for commercial and industrial use. For further information, please visit <https://www.lemo.com/quality/LEMO-Prop-65-compliance-declaration.pdf>.

Disclaimers

LEMO works constantly to improve the quality of its products; the information and illustrations figuring in this document may therefore vary and are not binding. In any case, LEMO makes no specific warranty of merchantability, fitness for a particular purpose, third party components as such or included in assembly, non-infringement, title, accuracy, completeness, or security. The user is fully responsible for his products and applications using LEMO component.

In no event shall LEMO, its affiliates, officers, agents or employees be liable for any incidental, indirect, special or consequential damages in connection with the products or services provided by LEMO, including (without limitation) loss of profits or revenues, interruption of business, loss of use of the products or any associated equipment, materials, components or products, damages to associated equipment or in combination with other components, materials.

Reproduction of significant portions of LEMO information in LEMO data books or data sheets is permissible only if reproduction is without alteration and is accompanied by all associated warranties, conditions, limitations, and notices. LEMO is not responsible or liable for such altered documentation. Information of third parties may be subject to additional restrictions.

LEMO HEADQUARTERS

SWITZERLAND

LEMO SA

Chemin des Champs-Courbes 28 - P.O. Box 194 - CH-1024 Ecublens
Tel. +41 21 695 16 00 - e-mail: info@lemo.com

LEMO SUBSIDIARIES

AUSTRIA

LEMO Elektronik GesmbH

Lemböckgasse 49/E6-3

1230 Wien

Tel: +43 1 914 23 20 0

Fax: +43 1 914 23 20 11

salesAT@lemo.com

BRAZIL

LEMO Latin America Ltda

Av. Dr. Adhemar de Barros,

566 - Sala 1407, Vila Adyana

CEP: 12245-011

São José dos Campos - SP - Brazil

Tel: +55 11 94242 4293

info-la@lemo.com

CANADA

LEMO Canada Inc

44 East Beaver Creek Road, unit 20

Richmond Hill, Ontario L4B 1G8

Tel: +1 905 889 56 78

Fax: +1 905 889 49 70

info-canada@lemo.com

CHINA / HONG KONG

LEMO Electronics (Shanghai) Co., Ltd

First Floor, Block E,

18 Jindian Road, Pudong

Shanghai, China, 201206

Tel: +86 21 5899 7721

Fax: +86 21 5899 7727

cn.sales@lemo.com

DENMARK

LEMO Denmark A/S

Mandal Allé 16A

5500 Middelfart

Tel: +45 45 20 44 00

Fax: +45 45 20 44 01

info-dk@lemo.com

FRANCE

LEMO France Sàrl

24/28 Avenue Graham Bell

Bâtiment Balthus 4

Bussy Saint Georges

77607 Marne la Vallée Cedex 3

Tel: +33 1 60 94 60 94

Fax: +33 1 60 94 60 90

info-fr@lemo.com

GERMANY

LEMO Elektronik GmbH

Hanns-Schwindt-Str. 6

81829 München

Tel: +49 89 42 77 03

Fax: +49 89 420 21 92

info@lemo.de

HUNGARY

REDEL Elektronika Kft

Nagysándor József u. 6-12

1201 Budapest

Tel: +36 1 421 47 10

Fax: +36 1 421 47 57

info-hu@lemo.com

ITALY

LEMO Italia srl

Viale Lunigiana 25

20125 Milano

Tel: +39 02 66 71 10 46

Fax: +39 02 37 90 80 46

sales.it@lemo.com

JAPAN

LEMO Japan Ltd

2-7-22, Mita,

Minato-ku, Tokyo, 108-0073

Tel: +81 3 54 46 55 10

Fax: +81 3 54 46 55 11

info-jp@lemo.com

NETHERLANDS / BELGIUM

LEMO Connectors Nederland B.V.

Jacques Meuwissenweg 6

2031 AD Haarlem

Tel. +31 23 206 07 01

info-nl@lemo.com

NORWAY / ICELAND

LEMO Norway A/S

Soerumsandvegen 69,

1920 Soerumsand

Tel: +47 22 91 70 40

Fax: +47 22 91 70 41

info-no@lemo.com

SINGAPORE

LEMO Asia Pte Ltd

4 Leng Kee Road,

#06-09 SiS Building

Singapore 159088

Tel: +65 6476 0672

Fax: +65 6474 0672

sg.sales@lemo.com

SPAIN / PORTUGAL

IBERLEMO SAU

Brasil, 45, 08402 Granollers

Barcelona

Tel: +34 93 860 44 20

Fax: +34 93 879 10 77

info-es@lemo.com

SWEDEN / FINLAND

LEMO Nordic AB

Gunnabogatan 30

163 53 Spånga

Tel: +46 8 635 60 60

Fax: +46 8 635 60 61

info-se@lemo.com

SWITZERLAND

LEMO Verkauf AG

Grundstrasse 22 B,

6343 Rotkreuz

Tel: +41 41 790 49 40

ch.sales@lemo.com

TAIWAN

TAOYUAN TAIWAN

Tel: +886 967 132 824

speng@lemo.com

UNITED ARAB EMIRATES

LEMO Middle East Connectors LLC

Concorde Tower 11th Floor,

Office 1102, Dubai Media City,

P.O. Box 449849

Dubai, United Arab Emirates

Tel: +971 4 568 1904

info-me@lemo.com

UNITED KINGDOM

LEMO UK Ltd

12-20 North Street, Worthing,

West Sussex, BN11 1DU

Tel: +44 1903 23 45 43

lemouk@lemo.com

USA

LEMO USA Inc

P.O. Box 2408

Rohnert Park, CA 94927-2408

Tel: +1 707 578 88 11

+1 800 444 53 66

Fax: +1 707 578 08 69

info-US@lemo.com

LEMO DISTRIBUTORS

ARGENTINA, AUSTRALIA, BRAZIL, CHILE, COLOMBIA, CZECH REPUBLIC,
GREECE, INDIA, ISRAEL, NEW ZEALAND, PERU, POLAND, SOUTH AFRICA,
SOUTH KOREA, TURKEY, UKRAINE

www.lemo.com

