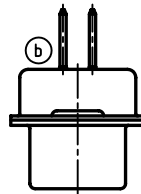
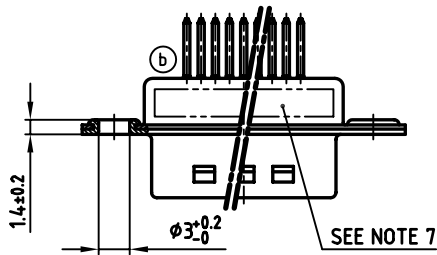
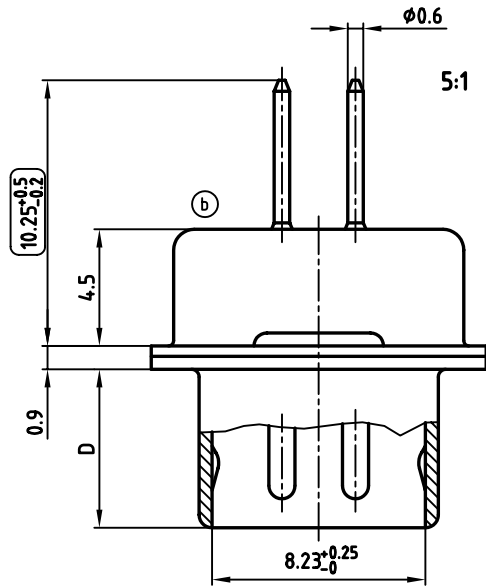
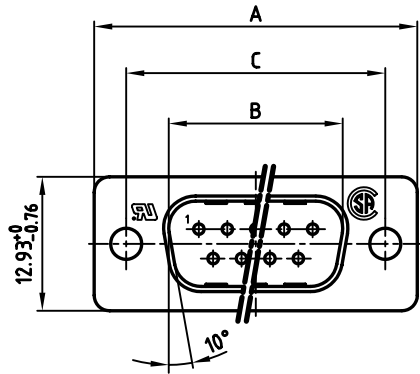


POS.	A <sup>-0.76</sup>	B <sup>+0.25</sup>	C	D <sup>-0.3</sup>	Part NO.
9	31.19	16.79	25.00 <sup>+0.12</sup> <sub>-0.13</sub>	6.12	241A10050X
15	39.52	25.12	33.30 <sup>+0.15</sup> <sub>-0.1</sub>	6.12	241A10060X
25	53.42	38.84	47.04 <sup>±0.13</sup>	5.99	241A10070X
37	69.70	55.30	63.50 <sup>±0.13</sup>	5.99	241A10080X

used for: D-SUB FILTER



**NOTES:**

- METALSHELLS: STEEL; min. 320µ" TIN
- INSULATORS: PBT GF UL 94 V-0, BLACK
- CONTACTS: COPPER ALLOY  
PLATING: 8µ" HARD GOLD OVER min. 50µ" NICKEL
- P.C.B. HOLE DRILLINGS ON SHEET 2
- CAPACITANCE: 1300pF ±20%
- DIELECTRIC WITHSTANDING VOLTAGE: 424 VDC
- CONNECTOR IS PART MARKED: [PART-NO. CONEC ABC]
- = CHECK DIMENSION

Directive 2002/95/EC  
RoHS-Compliant

APPROVAL # FREIGABE # DEBLOCAGE # AUTORIZACION # APPROVAL

CUSTOMER APPROVAL DATE:

NAME: TITLE:

COMPANY NAME:

APPROVAL # FREIGABE # DEBLOCAGE # AUTORIZACION # APPROVAL

THIS DRAWING MAY NOT BE COPIED OR REPRODUCED IN ANY WAY, AND MAY NOT BE PASSED ON TO A THIRD PARTY, WITHOUT WRITTEN PERMISSION.

OWNERSHIP AND COPYRIGHT OF CONEC GmbH

DO NOT ALTER CAD DRAWING BY HAND

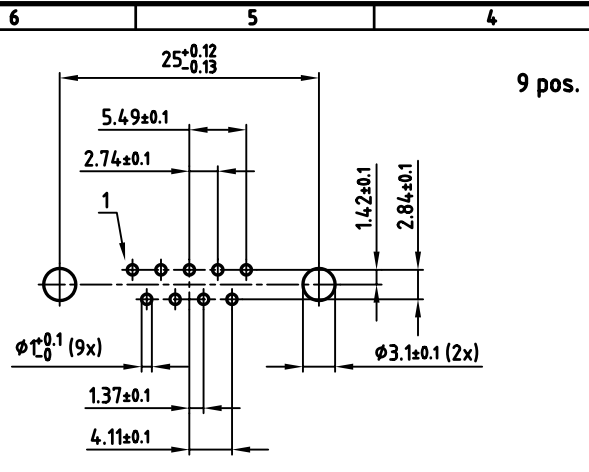
rev.	description	date	name
3 x b	Ä 2419	02.01.2006	Lehmen

tolerance		scale:	2:1 (5:1)
	dim. in mm	material:	SEE NOTES
2005	date	name	title:
drawn	18.10.	Lehmenkühler	<b>D-SUB FILTER MALE</b>
appd.	19.10.	Mickenbecker	9-37pos. SOLDER PIN STRAIGHT
norm	DIN 41652		
d-old			

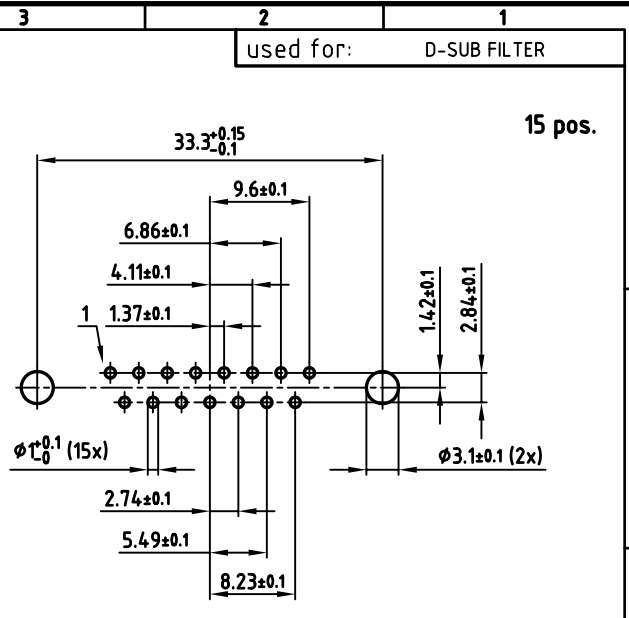
dwg no: AutoCAD 2004 DIN-A

24K1A710 3 sh:1/2

part no: SEE TABLE

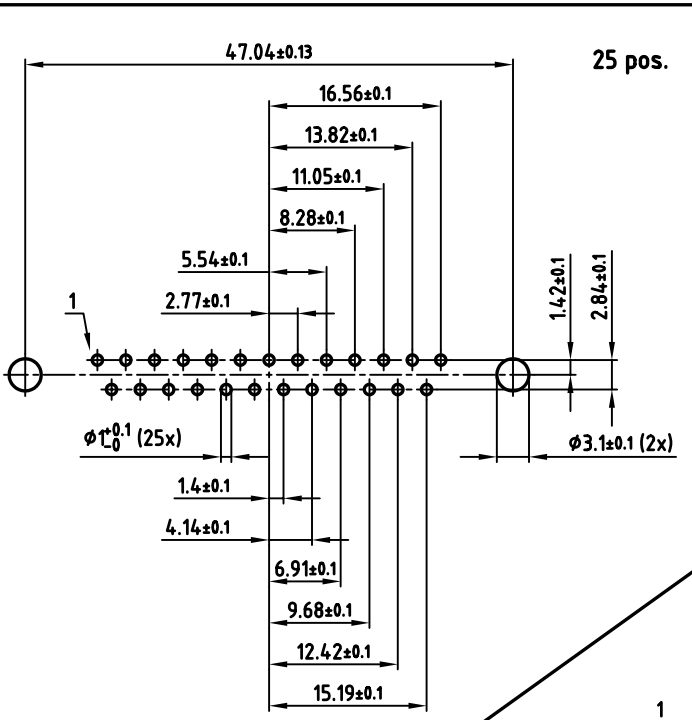


9 pos.

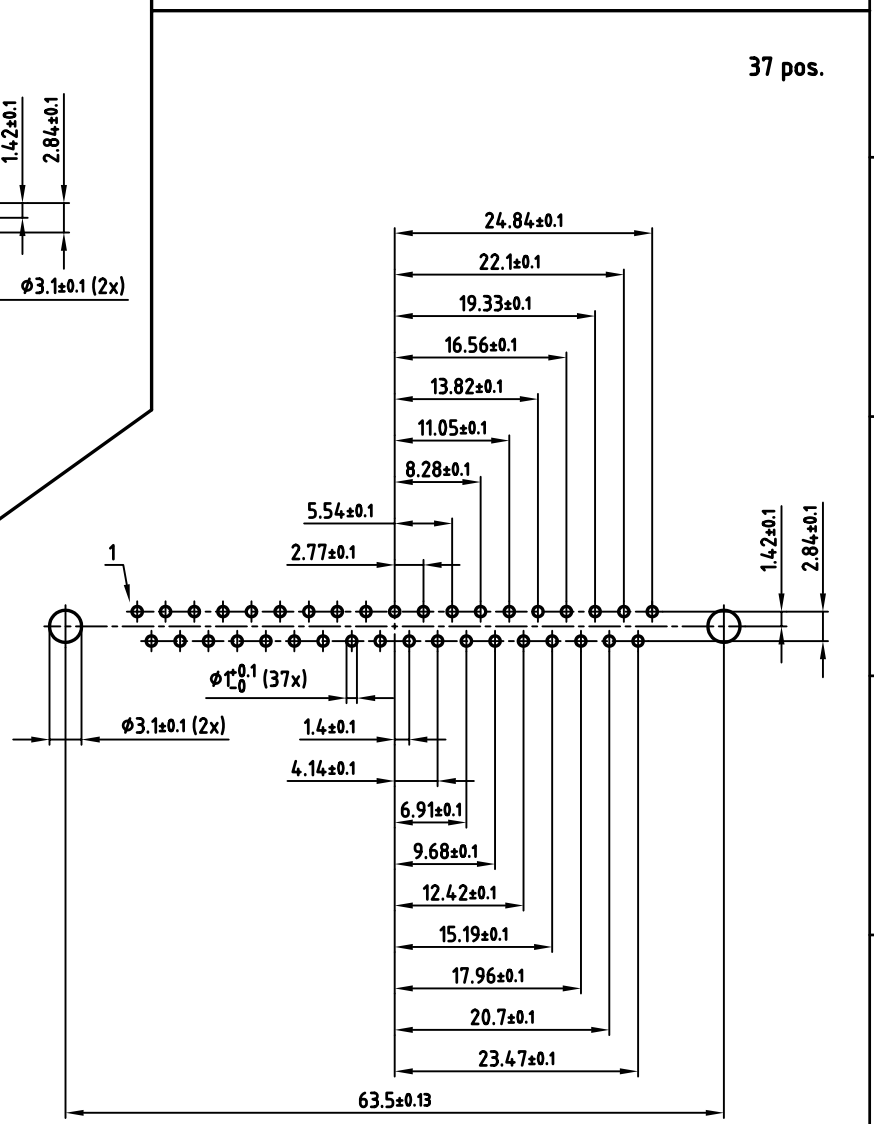


15 pos.

used for: D-SUB FILTER



25 pos.



37 pos.

APPROVAL # FREIGABE # DEBLOCAGE # AUTORIZACION # APPROVAL

CUSTOMER APPROVAL DATE:

NAME: TITLE:

COMPANY NAME:

APPROVAL # FREIGABE # DEBLOCAGE # AUTORIZACION # APPROVAL

THIS DRAWING MAY NOT BE COPIED OR REPRODUCED IN ANY WAY, AND MAY NOT BE PASSED ON TO A THIRD PARTY, WITHOUT WRITTEN PERMISSION. OWNERSHIP AND COPYRIGHT OF CONEC GmbH. DO NOT ALTER CAD DRAWING BY HAND

rev.	description	date	name

tolerance		scale:	2:1
	dim. in mm	material:	SEE SHEET 1
2005	date	name	
drawn	18.10.	Lehmenkühler	
appd.	19.10.	Mickenbecker	
norm	DIN 41652		
d-old			
		dwg no:	AutoCAD 2004
			DIN-A
			3
			sh:2/2

title: P.C.B. HOLE DRILLINGS

D-SUB FILTER MALE 9-37pos. SOLDER PIN

part no: SEE SHEET 1