

## Cable gland - HC-B-GB-M20-PLRBK - 1414660

Please be informed that the data shown in this PDF Document is generated from our Online Catalog. Please find the complete data in the user's documentation. Our General Terms of Use for Downloads are valid (<http://phoenixcontact.com/download>)



Set consisting of: EVO plastic adapter 1414243 and plastic screw connection with bending armor rod 1415179, M20



### Key Commercial Data

Packing unit	1 pc
Weight per Piece (excluding packing)	40.0 g
Custom tariff number	39269097
Country of origin	Poland

### Technical data

#### Dimensions

Wrench size, union nut	24 mm
Wrench size, support	24 mm
External cable diameter	6 mm ... 13 mm

#### Ambient conditions

Ambient temperature (operation)	-40 °C ... 100 °C
---------------------------------	-------------------

#### General

Material	Polyamide
Housing material	Polyamide
Cable gland material	Polyamide
Thread type on connection side	Bayonet
Thread type on seal side	M20

# Cable gland - HC-B-GB-M20-PLRBK - 1414660

## Classifications

eCl@ss

eCl@ss 5.1	27143424
eCl@ss 6.0	27261207

ETIM

ETIM 5.0	EC000441
----------	----------

## Approvals

Approvals

---

Approvals

EAC

---

Ex Approvals

---

Approvals submitted

---

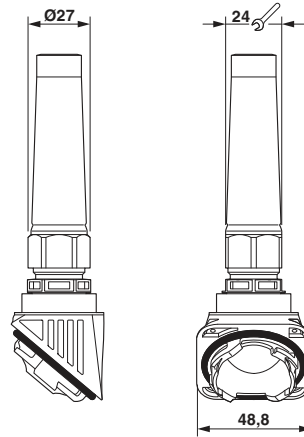
Approval details

EAC
-----

Drawings

## Cable gland - HC-B-GB-M20-PLRBK - 1414660

Dimensional drawing



Dimensional drawing