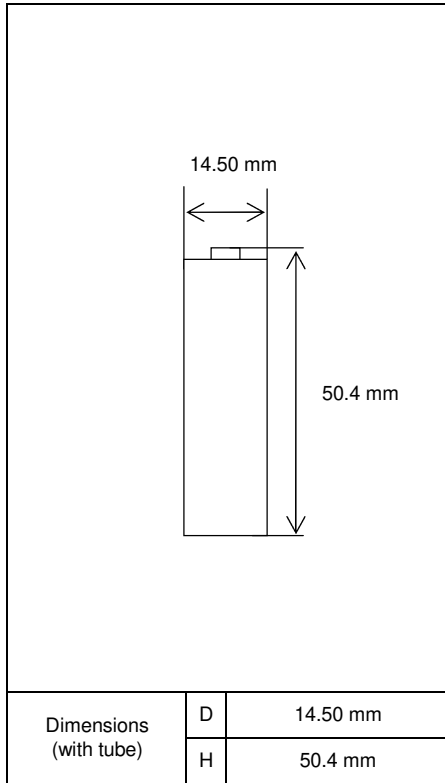


Specifications

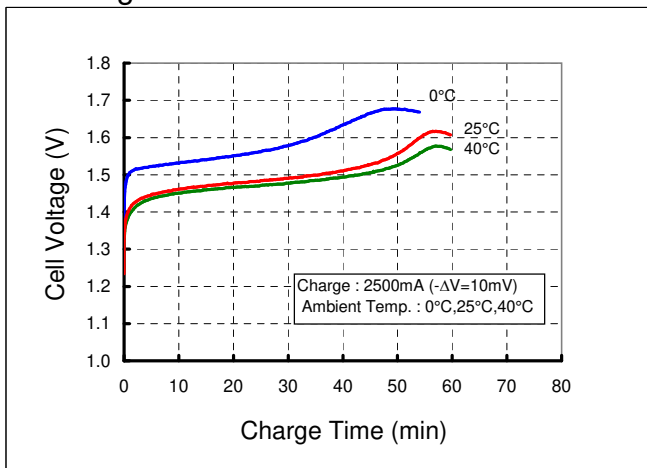


Type : Nickel-Metal Hydride Battery		Size : AA Consumer Type
Capacity ¹⁾	Typical	2500mAh
	Minimum	2400mAh
Nominal Voltage		1.2V
Charging Current x Time	Fast Charge ²⁾	2500mA × 1.1h
Ambient Temp.	Charge Condition	Fast Charge ²⁾
	Discharge Condition	
	Storage Condition	Less than 90days
		Less than 1year
Internal Impedance ³⁾ (after discharge to E.V.=1.0V)		Approx. 25mΩ (at 1000Hz)
Weight ⁴⁾		Approx.30g
Size ⁴⁾ : (Diameter) x (Height)		14.5(D) x 50.4(H) mm

- 1) Single cell capacity under the following condition.
Charge : 250mA×16h, Discharge : 500mA(E.V.=1.0V) at 20°C
- 2) Use recommended charging system.
- 3) After a few charge and discharge cycles under the above 1) condition.
- 4) With tube.

Typical Characteristics

Charge



Discharge

