

SP-H 2,5/ 1-R GNYE - Plug

3210868

<https://www.phoenixcontact.com/us/products/3210868>

Please be informed that the data shown in this PDF document is generated from our online catalog. Please find the complete data in the user documentation. Our general terms of use for downloads are valid.



Plug, nom. voltage: 500 V, nominal current: 24 A, number of positions: 1, connection method: Spring-cage connection, Rated cross section: 2.5 mm², cross section: 0.08 mm²- 4 mm², color: green-yellow

Product description

Connector element right, left housing with engagement pin, right closed with cover

Your advantages

- Cable housing can be snapped on to the plugs, see figure below
- The plug with spring-cage connection is assembled directly on site by snapping together single-position plug elements
- The ST-COMBI plugs for self-assembly provide solutions that users can implement themselves
- Tested for railway applications

Commercial data

Item number	3210868
Packing unit	1 pc
Minimum order quantity	50 pc
Sales key	BE02
Product key	BE2144
Catalog page	Page 319 (C-1-2019)
GTIN	4046356411851
Weight per piece (including packing)	3.316 g
Weight per piece (excluding packing)	3.316 g
Customs tariff number	85366990
Country of origin	PL

SP-H 2,5/ 1-R GNYE - Plug

3210868

<https://www.phoenixcontact.com/us/products/3210868>



Technical data

Product properties

Product type	Terminal plug
Number of positions	1
Pitch	5.2 mm
Potentials	1

Insulation characteristics

Overvoltage category	III
Degree of pollution	3

Electrical properties

Rated surge voltage	6 kV
---------------------	------

Connection data

Nominal cross section	2.5 mm ²
Stripping length	8 mm ... 10 mm
Internal cylindrical gage	A3
Connection in acc. with standard	IEC 61984
Conductor cross section rigid	0.08 mm ² ... 4 mm ²
Cross section AWG	28 ... 12 (converted acc. to IEC)
Conductor cross section flexible	0.08 mm ² ... 2.5 mm ²
Conductor cross section, flexible [AWG]	28 ... 14 (converted acc. to IEC)
Conductor cross-section flexible (ferrule without plastic sleeve)	0.14 mm ² ... 2.5 mm ²
Flexible conductor cross section (ferrule with plastic sleeve)	0.14 mm ² ... 2.5 mm ²
2 conductors with the same cross section, flexible, with TWIN ferrule with plastic sleeve	0.5 mm ²
Nominal current	24 A
Maximum load current	24 A (with 4 mm ² conductor cross section)
Nominal voltage	500 V
Nominal cross section	2.5 mm ²

Dimensions

Width	5.2 mm
Height	15.8 mm
Depth	39 mm
Length	15.8 mm
Pitch	5.2 mm

Material specifications

Color	green-yellow
Flammability rating according to UL 94	V0
Insulating material group	I

SP-H 2,5/ 1-R GNYE - Plug



3210868

<https://www.phoenixcontact.com/us/products/3210868>

Insulating material	PA
Static insulating material application in cold	-60 °C
Temperature index of insulation material (DIN EN 60216-1 (VDE 0304-21))	130 °C
Relative insulation material temperature index (Elec., UL 746 B)	130 °C
Fire protection for rail vehicles (DIN EN 45545-2) R22	HL 1 - HL 3
Fire protection for rail vehicles (DIN EN 45545-2) R23	HL 1 - HL 3
Fire protection for rail vehicles (DIN EN 45545-2) R24	HL 1 - HL 3
Fire protection for rail vehicles (DIN EN 45545-2) R26	HL 1 - HL 3
Calorimetric heat release NFPA 130 (ASTM E 1354)	28 MJ/kg
Surface flammability NFPA 130 (ASTM E 162)	passed
Specific optical density of smoke NFPA 130 (ASTM E 662)	passed
Smoke gas toxicity NFPA 130 (SMP 800C)	passed

Environmental and real-life conditions

Ambient conditions

Ambient temperature (operation)	-60 °C ... 105 °C (max. short-term operating temperature RTI Elec.)
Ambient temperature (storage/transport)	-25 °C ... 60 °C (for a short time, not exceeding 24 h, -60 °C to +70 °C)
Ambient temperature (assembly)	-5 °C ... 70 °C
Ambient temperature (actuation)	-5 °C ... 70 °C
Permissible humidity (storage/transport)	30 % ... 70 %

Standards and regulations

Connection in acc. with standard	IEC 61984
----------------------------------	-----------

SP-H 2,5/ 1-R GNYE - Plug

3210868

<https://www.phoenixcontact.com/us/products/3210868>



Drawings

Circuit diagram



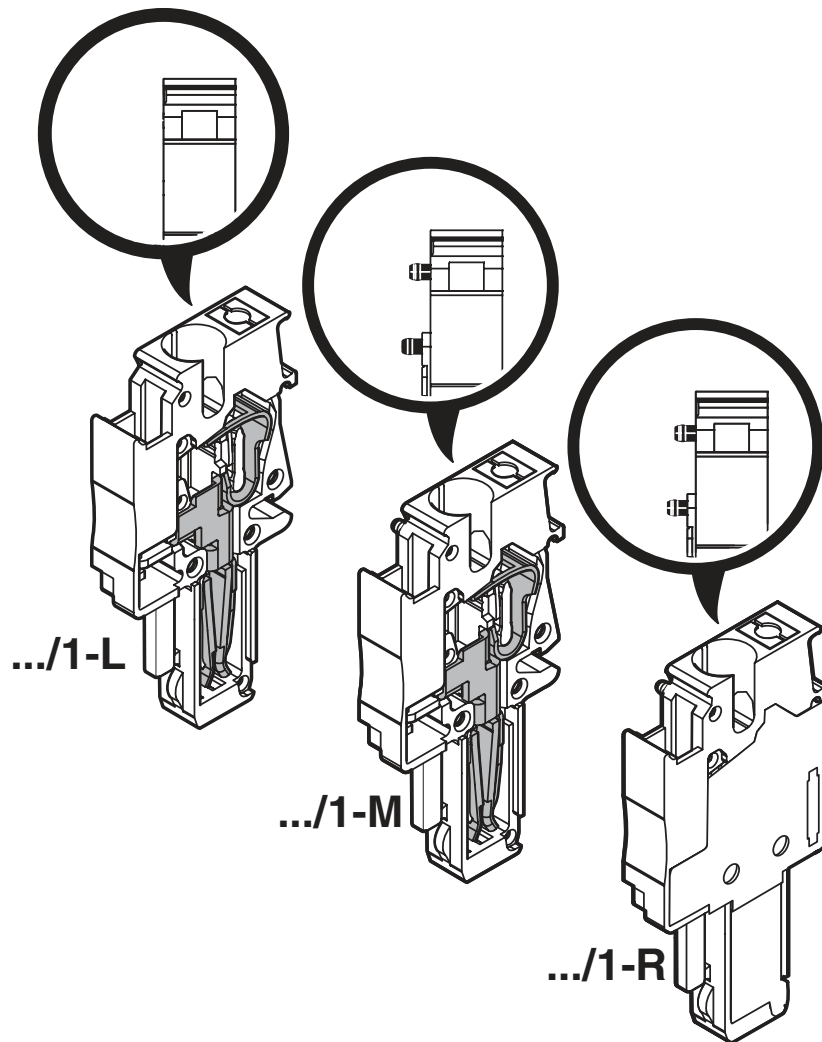
SP-H 2,5/ 1-R GNYE - Plug

3210868

<https://www.phoenixcontact.com/us/products/3210868>



Schematic diagram



SP-H 2,5/ 1-R GNYE - Plug



3210868

<https://www.phoenixcontact.com/us/products/3210868>

Approvals

To download certificates, visit the product detail page: <https://www.phoenixcontact.com/us/products/3210868>



IECEE CB Scheme

Approval ID: DE1-62736/B1/B2



EAC

Approval ID: RU C-DE.BL08.B.00511



VDE Zeichengenehmigung

Approval ID: 40019518

	Nominal voltage U_N	Nominal current I_N	Cross section AWG	Cross section mm^2
Only flexible conductors	500 V	-	-	0.2 - 2.5
Only rigid conductors	500 V	-	-	0.2 - 4



cULus Recognized

Approval ID: E60425



cULus Recognized

Approval ID: E60425

SP-H 2,5/ 1-R GNYE - Plug

3210868

<https://www.phoenixcontact.com/us/products/3210868>



Classifications

ECLASS

ECLASS-11.0	27141151
ECLASS-12.0	27141151
ECLASS-13.0	27250306

ETIM

ETIM 8.0	EC002021
----------	----------

UNSPSC

UNSPSC 21.0	39121400
-------------	----------

SP-H 2,5/ 1-R GNYE - Plug

3210868

<https://www.phoenixcontact.com/us/products/3210868>



Environmental product compliance

China RoHS	Environmentally friendly use period: unlimited = EFUP-e
	No hazardous substances above threshold values

SP-H 2,5/ 1-R GNYE - Plug

3210868

<https://www.phoenixcontact.com/us/products/3210868>



Accessories

PZ/2 - Strain relief

3040627

<https://www.phoenixcontact.com/us/products/3040627>



Strain relief, length: 48.7 mm, width: 9.3 mm, height: 48.7 mm, number of positions: 2, color: black

PZ/4 - Strain relief

3040643

<https://www.phoenixcontact.com/us/products/3040643>



Strain relief, length: 48.7 mm, width: 19.6 mm, height: 48.7 mm, number of positions: 4, color: black

SP-H 2,5/ 1-R GNYE - Plug

3210868

<https://www.phoenixcontact.com/us/products/3210868>



PR - Latching

3040559

<https://www.phoenixcontact.com/us/products/3040559>



Latching, length: 29.8 mm, width: 4.4 mm, height: 29.8 mm, number of positions: 1, color: orange

PR/2 - Latching

3040630

<https://www.phoenixcontact.com/us/products/3040630>



Latching, length: 29.8 mm, width: 10 mm, height: 29.8 mm, number of positions: 2, color: orange

SP-H 2,5/ 1-R GNYE - Plug

3210868

<https://www.phoenixcontact.com/us/products/3210868>



PRT/2 - Latching

3040631

<https://www.phoenixcontact.com/us/products/3040631>



Latching, can only be released using a screwdriver, length: 23.2 mm, width: 9 mm, height: 23.2 mm, number of positions: 2, color: orange

PRZ - Latching

3040614

<https://www.phoenixcontact.com/us/products/3040614>



Latching, number of positions: 2, length: 64 mm, color: orange

SP-H 2,5/ 1-R GNYE - Plug

3210868

<https://www.phoenixcontact.com/us/products/3210868>



DF-SP-H 2,5 - Flange cover

3209824

<https://www.phoenixcontact.com/us/products/3209824>



Flange cover, connection method: Screw connection, length: 35.8 mm, width: 4.5 mm, height: 35.8 mm, color: gray

PH 2,5/ 2 - Cable housing

3209691

<https://www.phoenixcontact.com/us/products/3209691>



Cable housing, pitch: 10.4 mm, length: 19.9 mm, width: 10.4 mm, height: 19.9 mm, number of positions: 2, color: gray

SP-H 2,5/ 1-R GNYE - Plug

3210868

<https://www.phoenixcontact.com/us/products/3210868>



PH 2,5/ 3 - Cable housing

3209701

<https://www.phoenixcontact.com/us/products/3209701>



Cable housing, pitch: 15.6 mm, length: 19.9 mm, width: 15.6 mm, height: 19.9 mm, number of positions: 3, color: gray

PH 2,5/ 4 - Cable housing

3209714

<https://www.phoenixcontact.com/us/products/3209714>



Cable housing, pitch: 20.8 mm, length: 19.9 mm, width: 20.8 mm, height: 19.9 mm, number of positions: 4, color: gray

SP-H 2,5/ 1-R GNYE - Plug

3210868

<https://www.phoenixcontact.com/us/products/3210868>



PH 2,5/ 5 - Cable housing

3209727

<https://www.phoenixcontact.com/us/products/3209727>



Cable housing, pitch: 26 mm, length: 19.9 mm, width: 26 mm, height: 19.9 mm, number of positions: 5, color: gray

PH 2,5/ 6 - Cable housing

3209730

<https://www.phoenixcontact.com/us/products/3209730>



Cable housing, pitch: 31.2 mm, length: 19.9 mm, width: 31.2 mm, height: 19.9 mm, number of positions: 6, color: gray

SP-H 2,5/ 1-R GNYE - Plug

3210868

<https://www.phoenixcontact.com/us/products/3210868>



PH 2,5/ 7 - Cable housing

3209743

<https://www.phoenixcontact.com/us/products/3209743>



Cable housing, pitch: 36.4 mm, length: 19.9 mm, width: 36.4 mm, height: 19.9 mm, number of positions: 7, color: gray

PH 2,5/ 8 - Cable housing

3209756

<https://www.phoenixcontact.com/us/products/3209756>



Cable housing, pitch: 41.6 mm, length: 19.9 mm, width: 41.6 mm, height: 19.9 mm, number of positions: 8, color: gray

SP-H 2,5/ 1-R GNYE - Plug

3210868

<https://www.phoenixcontact.com/us/products/3210868>



PH 2,5/ 9 - Cable housing

3209507

<https://www.phoenixcontact.com/us/products/3209507>



Cable housing, pitch: 46.8 mm, length: 19.9 mm, width: 46.8 mm, height: 19.9 mm, number of positions: 9, color: gray

PH 2,5/10 - Cable housing

3209769

<https://www.phoenixcontact.com/us/products/3209769>



Cable housing, pitch: 52 mm, length: 19.9 mm, width: 52 mm, height: 19.9 mm, number of positions: 10, color: gray

SP-H 2,5/ 1-R GNYE - Plug

3210868

<https://www.phoenixcontact.com/us/products/3210868>



PH 2,5/11 - Cable housing

3209772

<https://www.phoenixcontact.com/us/products/3209772>



Cable housing, pitch: 57.2 mm, length: 19.9 mm, width: 57.2 mm, height: 19.9 mm, number of positions: 11, color: gray

PH 2,5/12 - Cable housing

3209785

<https://www.phoenixcontact.com/us/products/3209785>



Cable housing, pitch: 62.4 mm, length: 19.9 mm, width: 62.4 mm, height: 19.9 mm, number of positions: 12, color: gray

SP-H 2,5/ 1-R GNYE - Plug

3210868

<https://www.phoenixcontact.com/us/products/3210868>



PH 2,5/13 - Cable housing

3209798

<https://www.phoenixcontact.com/us/products/3209798>



Cable housing, pitch: 67.6 mm, length: 19.9 mm, width: 67.6 mm, height: 19.9 mm, number of positions: 13, color: gray

PH 2,5/14 - Cable housing

3209808

<https://www.phoenixcontact.com/us/products/3209808>



Cable housing, pitch: 72.8 mm, length: 19.9 mm, width: 72.8 mm, height: 19.9 mm, number of positions: 14, color: gray

SP-H 2,5/ 1-R GNYE - Plug

3210868

<https://www.phoenixcontact.com/us/products/3210868>



PH 2,5/15 - Cable housing

3209811

<https://www.phoenixcontact.com/us/products/3209811>



Cable housing, pitch: 78 mm, length: 19.9 mm, width: 78 mm, height: 19.9 mm, number of positions: 15, color: gray

DFS-SP-H 2,5 - Flange cover

3061431

<https://www.phoenixcontact.com/us/products/3061431>



Flange cover, length: 35.8 mm, width: 4.5 mm, height: 35.8 mm, color: gray

SP-H 2,5/ 1-R GNYE - Plug

3210868

<https://www.phoenixcontact.com/us/products/3210868>



ST-BW - Actuation tool

1207608

<https://www.phoenixcontact.com/us/products/1207608>



Actuation tool, for all 2.5 mm² - 4.0 mm² spring-cages

SP-H 2,5/ 1-L - Plug

3210787

<https://www.phoenixcontact.com/us/products/3210787>



Plug, nom. voltage: 500 V, nominal current: 24 A, number of positions: 1, connection method: Spring-cage connection, Rated cross section: 2.5 mm², cross section: 0.08 mm² - 4 mm², color: gray

SP-H 2,5/ 1-R GNYE - Plug

3210868

<https://www.phoenixcontact.com/us/products/3210868>



SP-H 2,5/ 1-L BU - Plug

3210790

<https://www.phoenixcontact.com/us/products/3210790>



Plug, nom. voltage: 500 V, nominal current: 24 A, number of positions: 1, connection method: Spring-cage connection, Rated cross section: 2.5 mm², cross section: 0.08 mm²- 4 mm², color: blue

SP-H 2,5/ 1-L GNYE - Plug

3210800

<https://www.phoenixcontact.com/us/products/3210800>



Plug, nom. voltage: 500 V, nominal current: 24 A, number of positions: 1, connection method: Spring-cage connection, Rated cross section: 2.5 mm², cross section: 0.08 mm²- 4 mm², color: green-yellow

SP-H 2,5/ 1-R GNYE - Plug

3210868

<https://www.phoenixcontact.com/us/products/3210868>



SP-H 2,5/ 1-M - Plug

3210813

<https://www.phoenixcontact.com/us/products/3210813>



Plug, nom. voltage: 500 V, nominal current: 24 A, number of positions: 1, connection method: Spring-cage connection, Rated cross section: 2.5 mm², cross section: 0.08 mm²- 4 mm², color: gray

SP-H 2,5/ 1-M BU - Plug

3210826

<https://www.phoenixcontact.com/us/products/3210826>



Plug, nom. voltage: 500 V, nominal current: 24 A, number of positions: 1, connection method: Spring-cage connection, Rated cross section: 2.5 mm², cross section: 0.08 mm²- 4 mm², color: blue

SP-H 2,5/ 1-R GNYE - Plug

3210868

<https://www.phoenixcontact.com/us/products/3210868>



SP-H 2,5/ 1-M GNYE - Plug

3210839

<https://www.phoenixcontact.com/us/products/3210839>



Plug, nom. voltage: 500 V, nominal current: 24 A, number of positions: 1, connection method: Spring-cage connection, Rated cross section: 2.5 mm², cross section: 0.08 mm²- 4 mm², color: green-yellow

MPS-MT - Test plugs

0201744

<https://www.phoenixcontact.com/us/products/0201744>



Test plugs, with solder connection up to 1 mm² conductor cross section, number of positions: 1, color: gray

SP-H 2,5/ 1-R GNYE - Plug

3210868

<https://www.phoenixcontact.com/us/products/3210868>



MPS-IH WH - Insulating sleeve

0201663

<https://www.phoenixcontact.com/us/products/0201663>

Insulating sleeve, color: white



MPS-IH RD - Insulating sleeve

0201676

<https://www.phoenixcontact.com/us/products/0201676>

Insulating sleeve, color: red



SP-H 2,5/ 1-R GNYE - Plug

3210868

<https://www.phoenixcontact.com/us/products/3210868>



MPS-IH BU - Insulating sleeve

0201689

<https://www.phoenixcontact.com/us/products/0201689>

Insulating sleeve, color: blue



MPS-IH YE - Insulating sleeve

0201692

<https://www.phoenixcontact.com/us/products/0201692>

Insulating sleeve, color: yellow



SP-H 2,5/ 1-R GNYE - Plug

3210868

<https://www.phoenixcontact.com/us/products/3210868>



MPS-IH GN - Insulating sleeve

0201702

<https://www.phoenixcontact.com/us/products/0201702>

Insulating sleeve, color: green



MPS-IH GY - Insulating sleeve

0201728

<https://www.phoenixcontact.com/us/products/0201728>

Insulating sleeve, color: gray



SP-H 2,5/ 1-R GNYE - Plug

3210868

<https://www.phoenixcontact.com/us/products/3210868>



MPS-IH BK - Insulating sleeve

0201731

<https://www.phoenixcontact.com/us/products/0201731>

Insulating sleeve, color: black



ISH 2,5/0,2 - Insulating sleeve

3002843

<https://www.phoenixcontact.com/us/products/3002843>

Insulating sleeve, color: white



SP-H 2,5/ 1-R GNYE - Plug

3210868

<https://www.phoenixcontact.com/us/products/3210868>



ISH 2,5/0,5 - Insulating sleeve

3002856

<https://www.phoenixcontact.com/us/products/3002856>



Insulating sleeve, color: gray

ISH 2,5/1,0 - Insulating sleeve

3002869

<https://www.phoenixcontact.com/us/products/3002869>



Insulating sleeve, color: black

SP-H 2,5/ 1-R GNYE - Plug

3210868

<https://www.phoenixcontact.com/us/products/3210868>



ZBF 5:UNBEDRUCKT - Zack Marker strip, flat

0808642

<https://www.phoenixcontact.com/us/products/0808642>



Zack Marker strip, flat, Strip, white, unlabeled, can be labeled with: PLOTMARK, CMS-P1-PLOTTER, mounting type: snapped, for terminal block width: 5 mm, lettering field size: 5.1 x 5.2 mm, Number of individual labels: 10

ZBF 5 CUS - Zack Marker strip, flat

0825025

<https://www.phoenixcontact.com/us/products/0825025>



Zack Marker strip, flat, can be ordered: Strip, white, labeled according to customer specifications, mounting type: snap into flat marker groove, for terminal block width: 5 mm, lettering field size: 5.15 x 5.15 mm, Number of individual labels: 10

SP-H 2,5/ 1-R GNYE - Plug

3210868

<https://www.phoenixcontact.com/us/products/3210868>



ZBF 5,LGS:FORTL.ZAHLEN - Zack Marker strip, flat

0808671

<https://www.phoenixcontact.com/us/products/0808671>



Zack Marker strip, flat, Strip, white, labeled, printed horizontally: consecutive numbers 1 ... 10, 11 ... 20, etc. up to 491 ... 500, mounting type: snapped, for terminal block width: 5 mm, lettering field size: 5.15 x 5.15 mm, Number of individual labels: 10

ZBF 5,QR:FORTL.ZAHLEN - Zack Marker strip, flat

0808697

<https://www.phoenixcontact.com/us/products/0808697>



Zack Marker strip, flat, Strip, white, labeled, Printed vertically: consecutive numbers 1 ... 10, 11 ... 20, etc. up to 91 ... 100, mounting type: snapped, for terminal block width: 5 mm, lettering field size: 5.15 x 5.15 mm, Number of individual labels: 10

SP-H 2,5/ 1-R GNYE - Plug

3210868

<https://www.phoenixcontact.com/us/products/3210868>



ZBF 5,LGS:GERADE ZAHLEN - Zack Marker strip, flat

0810821

<https://www.phoenixcontact.com/us/products/0810821>



Zack Marker strip, flat, Strip, white, labeled, printed horizontally: consecutive even numbers 2 ... 20, 22 ... 40, etc. up to 82 ... 100, mounting type: snapped, for terminal block width: 5 mm, lettering field size: 5.15 x 5.15 mm, Number of individual labels: 10

ZBF 5,LGS:UNGERADE ZAHLEN - Zack Marker strip, flat

0810863

<https://www.phoenixcontact.com/us/products/0810863>



Zack Marker strip, flat, Strip, white, labeled, printed horizontally: Odd numbers 1 - 19, 21 - 39, etc. up to 81 - 99, mounting type: snapped, for terminal block width: 5 mm, lettering field size: 5.15 x 5.15 mm, Number of individual labels: 10

SP-H 2,5/ 1-R GNYE - Plug

3210868

<https://www.phoenixcontact.com/us/products/3210868>



UC-TMF 5 - Marker for terminal blocks

0818153

<https://www.phoenixcontact.com/us/products/0818153>



Marker for terminal blocks, Sheet, white, unlabeled, can be labeled with: BLUEMARK ID COLOR, BLUEMARK ID, BLUEMARK CLED, PLOTMARK, CMS-P1-PLOTTER, mounting type: snapped, for terminal block width: 5.2 mm, lettering field size: 4.6 x 5.1 mm, Number of individual labels: 96

UC-TMF 5 CUS - Marker for terminal blocks

0824638

<https://www.phoenixcontact.com/us/products/0824638>



Marker for terminal blocks, can be ordered: by sheet, white, labeled according to customer specifications, mounting type: snap into flat marker groove, for terminal block width: 5.2 mm, lettering field size: 4.6 x 5.1 mm, Number of individual labels: 96

SP-H 2,5/ 1-R GNYE - Plug

3210868

<https://www.phoenixcontact.com/us/products/3210868>



UCT-TMF 5 - Marker for terminal blocks

0828744

<https://www.phoenixcontact.com/us/products/0828744>



Marker for terminal blocks, Sheet, white, unlabeled, can be labeled with: TOPMARK NEO, TOPMARK LASER, BLUEMARK ID COLOR, BLUEMARK ID, BLUEMARK CLED, THERMOMARK PRIME, THERMOMARK CARD 2.0, THERMOMARK CARD, mounting type: snapped, for terminal block width: 5.2 mm, lettering field size: 4.4 x 4.7 mm, Number of individual labels: 72

UCT-TMF 5 CUS - Marker for terminal blocks

0829658

<https://www.phoenixcontact.com/us/products/0829658>



Marker for terminal blocks, can be ordered: by sheet, white, labeled according to customer specifications, mounting type: snap into flat marker groove, for terminal block width: 5.2 mm, lettering field size: 4.4 x 4.7 mm, Number of individual labels: 72

Phoenix Contact 2023 © - all rights reserved
<https://www.phoenixcontact.com>

Phoenix Contact USA
586 Fulling Mill Road
Middletown, PA 17057, United States
(+717) 944-1300
info@phoenixcon.com