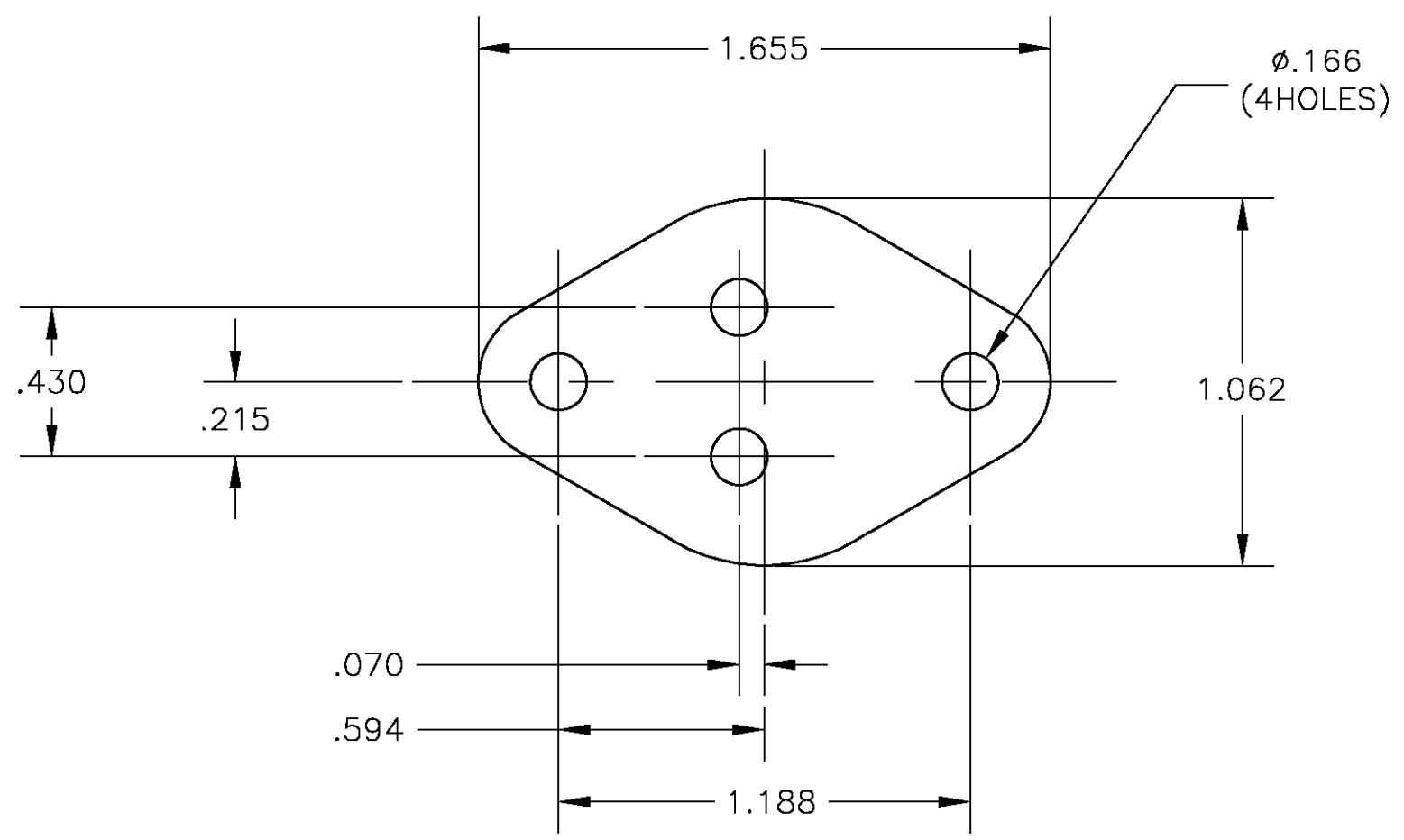


THIS DRAWING IS UNPUBLISHED. RELEASED FOR PUBLICATION
 © COPYRIGHT BY TYCO ELECTRONICS CORPORATION. ALL RIGHTS RESERVED.

LOC	DIST	REVISIONS			
P	LTR	DESCRIPTION	DATE	DWN	APVD
AD	00	0	EC 0G3C-0318-04	-	BSV -



TYCO P/N 1437504-1 = AUGAT P/N 8038-3PI

THIS DRAWING IS A CONTROLLED DOCUMENT.		DWN BSV	15JUL04	tyco Electronics		Tyco Electronics Corporation Harisburg, Pa 17105-3808													
DIMENSIONS: INCHES		CHK -	APVD -	NAME INSULATOR															
TOLERANCES UNLESS OTHERWISE SPECIFIED:		PRODUCT SPEC -		APPLICATION SPEC -															
<table border="0"> <tr><td>0 PLC</td><td>± -</td></tr> <tr><td>1 PLC</td><td>± -</td></tr> <tr><td>2 PLC</td><td>± -</td></tr> <tr><td>3 PLC</td><td>± .005</td></tr> <tr><td>4 PLC</td><td>± -</td></tr> <tr><td>ANGLES</td><td>± 1'</td></tr> </table>		0 PLC	± -	1 PLC	± -	2 PLC	± -	3 PLC	± .005	4 PLC	± -	ANGLES	± 1'	SIZE A3		CAGE CODE 00779	DRAWING NO C-1437504-1	RESTRICTED TO -	
0 PLC	± -																		
1 PLC	± -																		
2 PLC	± -																		
3 PLC	± .005																		
4 PLC	± -																		
ANGLES	± 1'																		
MATERIAL NATURAL MICA		FINISH NONE		WEIGHT -		CUSTOMER DRAWING													
SCALE 2:1						SHEET 1 OF 1													
REV 0																			