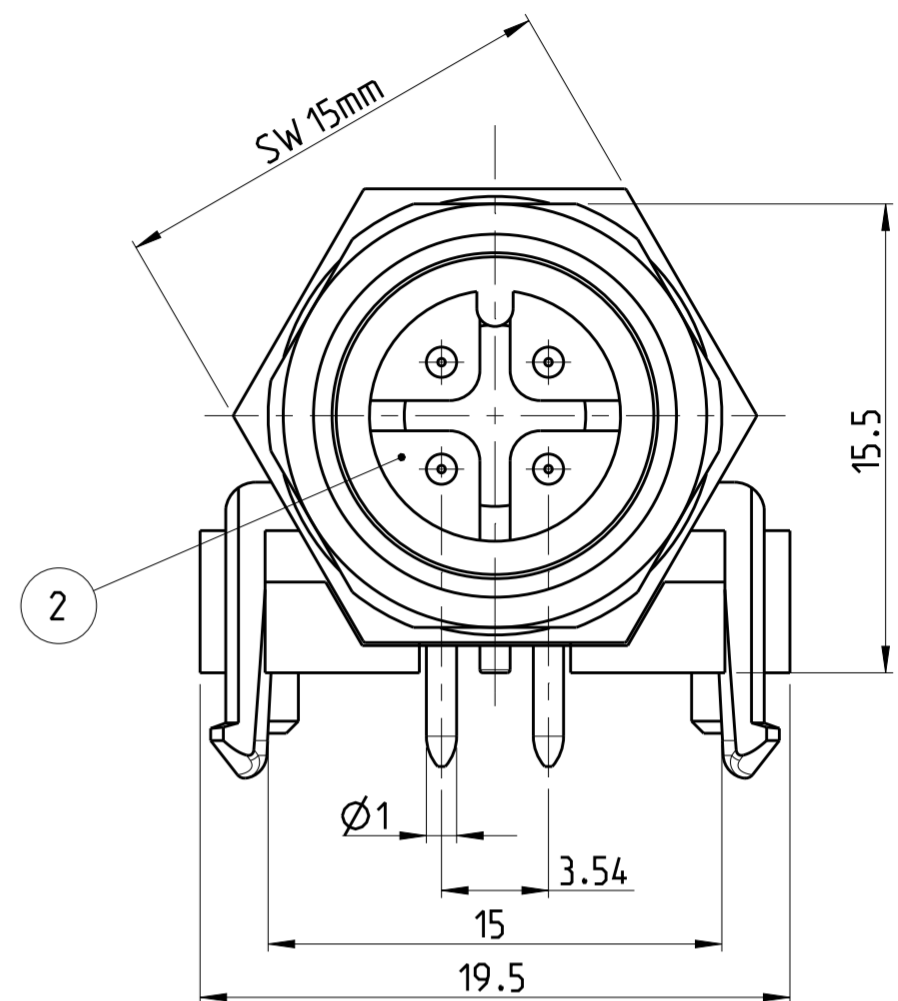
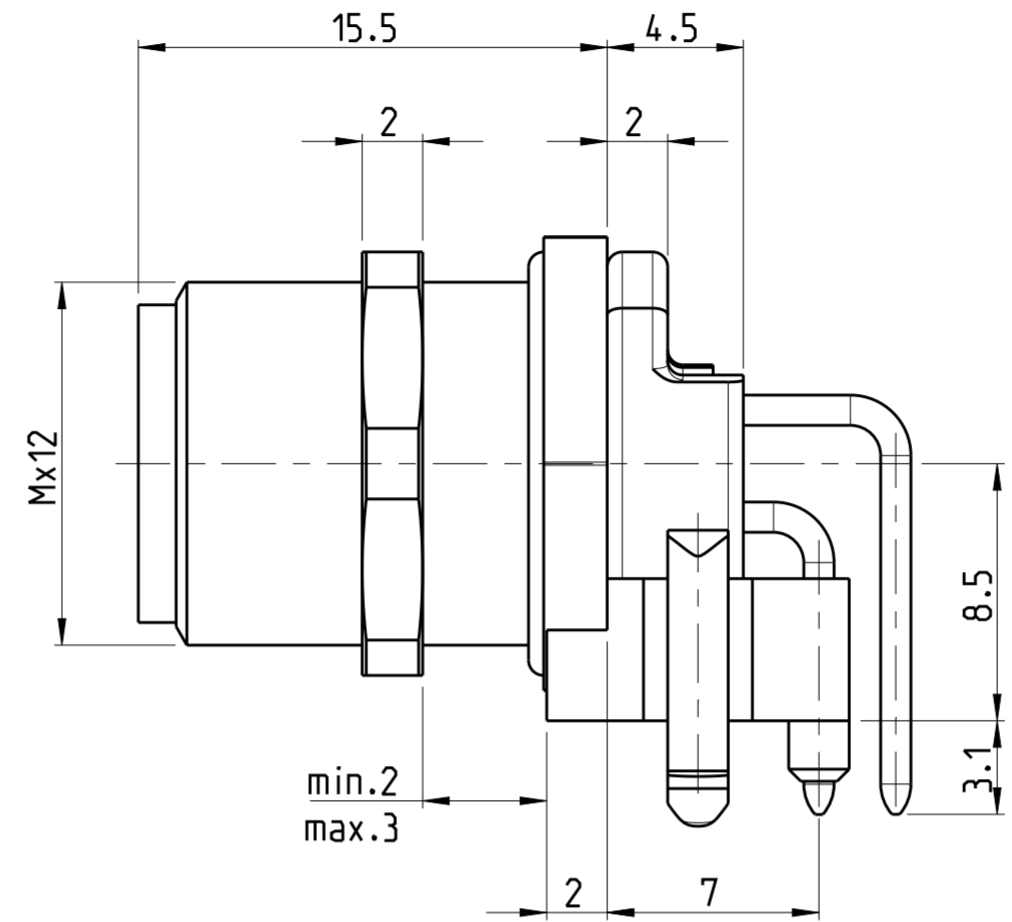
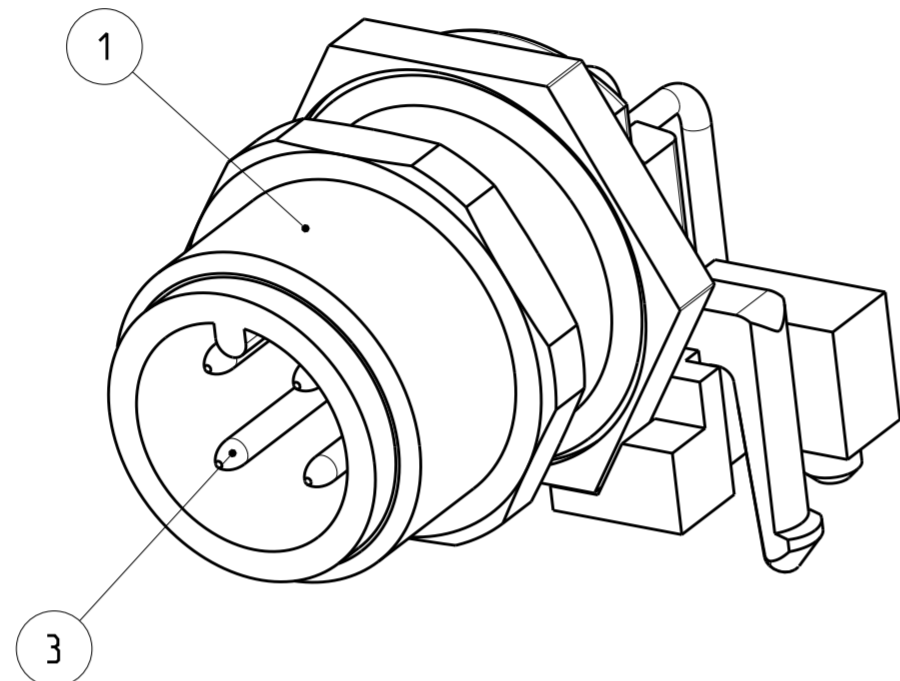


THIS DRAWING IS UNPUBLISHED. VERTRÄGLICHE UNVERÖFFENTLICHTE ZEICHNUNG. RELEASED FOR PUBLICATION FREI FÜR VERÖFFENTLICHUNG. 2014. MATED WITH: PASSEND ZU: (C) COPYRIGHT 2014 Tyco Electronics AMP GmbH. ALL RIGHTS RESERVED. ALLE RECHTE VORBEHALTEN.

PROJKT NR.: PRJ-11-000004377

REVISIONS		DATE	DWN	APVD
ÄNDERUNGEN				
P	LTR	DESCRIPTION		
BESCHREIBUNG				
A1		DESCRIPTION CORRECTED FROM T-CODE TO A-CODE IN TITLE BLOCK	29 JUN 2015	TJ PS
A2		CONDUCTOR LAYOUT CORRECTED FOR PN 4-2172062-2 IN ZONE A3	11 MAY 2016	TJ NG

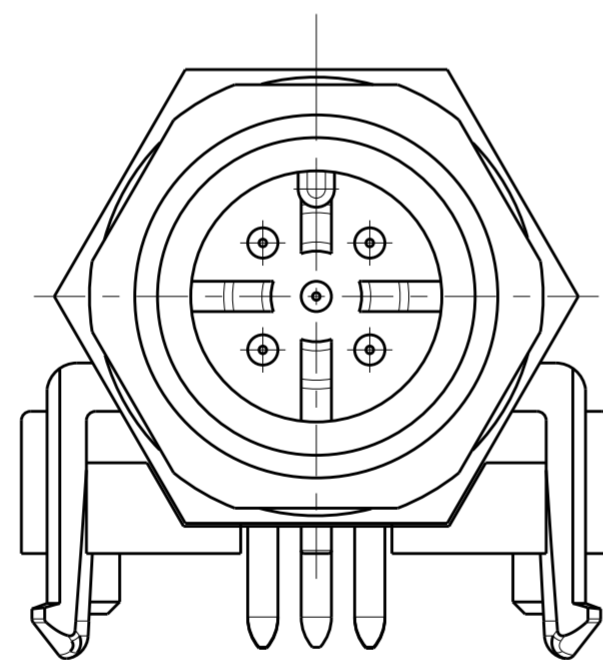
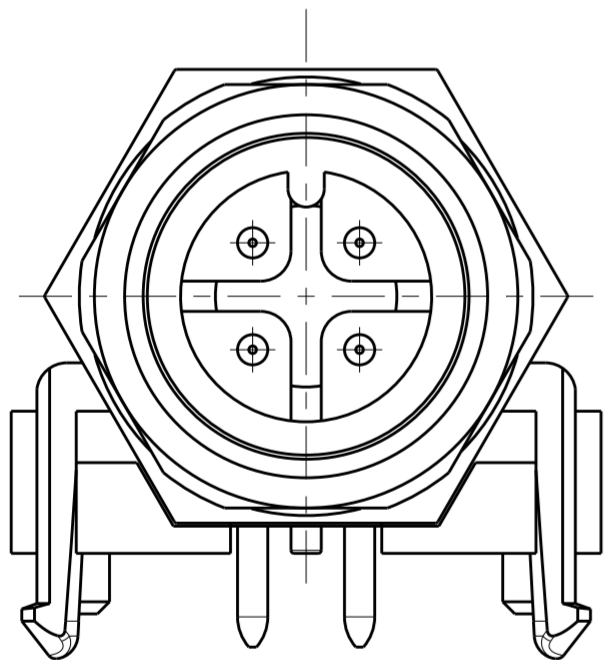
TECHNICAL DATA	3-2172062-2	4-2172062-2
RATED VOLTAGE	250V	125V
RATED IMPULSE VOLTAGE	2500V	1500V
POLLUTION DEGREE	3	3
OVERVOLTAGE CATEGORY	II	II
MATERIAL GROUP	III	III
RATED CURRENT	4A	4A
VOLUME RESISTIVITY	≤ 3mΩ	≤ 3mΩ
DEGREE OF PROTECTION	IP68	IP68
UPPER TEMPERATURE	+85 °C	+85 °C
LOWER TEMPERATURE	-40 °C	-40 °C



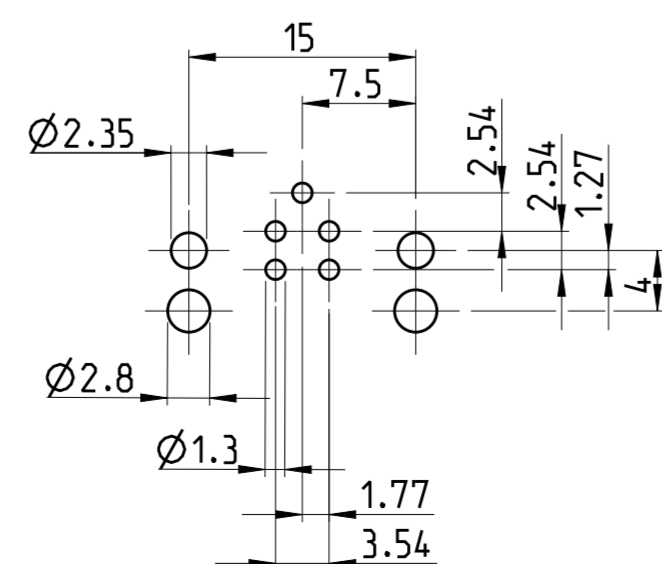
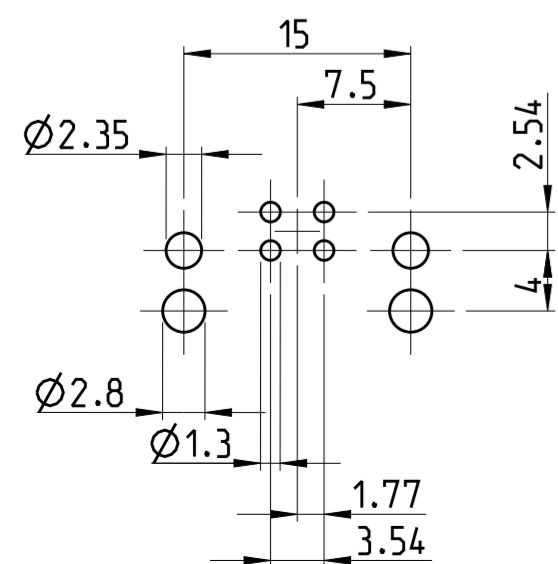
PIN ARRANGEMENT A-CODING

3-2172062-2

4-2172062-2



CONDUCTOR LAYOUT



NOTES:

- 1 MATERIAL: ITEM NO. 1: HOUSING - CuZn (BRASS, NICKEL PLATED)
 ITEM NO. 2: CONTACT BODY - PA
 ITEM NO. 3: CONTACT - CuZn (BRASS)
 CONTACT FINISH - AU (GOLD)

2 ALL DIMENSIONS ARE FOR NOMINAL REFERENCE ONLY UNLESS OTHERWISE STATED

⚠	5	4-2172062-2
⚠	4	3-2172062-2
MATERIAL	NUMBER OF POLES	TE-PART-NO.

DIESE ZEICHNUNG IST EIN KONTROLLIERTES DOKUMENT. BEMASSUNGEN UND TOLERANZEN GEMAESS GPS (ISO STANDARDS).

THIS DRAWING IS A CONTROLLED DOCUMENT. DIMENSIONING AND TOLERANCING PER GPS (ISO STANDARDS).

DIMENSIONS: MASSE/WEITEN: (MM)	TOLERANCES UNLESS OTHERWISE SPECIFIED: ALLGEMEINTOLERANZEN	DWN YASHKUMAR 04 AUG 2014
		CHK M. BRUBAKER 04 AUG 2014
		APVD M. BRUBAKER 04 AUG 2014
		NAME
		PRODUCT SPEC 108-19483
		APPLICATION SPEC 114-32127
MATERIAL	FINISH/OBERFLÄCHE/FARBE	WEIGHT GEWICHT
SEE NOTES	SEE NOTES	-

Customer Drawing

STE TE Connectivity

M12 RECEPTACLE, MALE, PCB MOUNT WITH BOARDLOCK, PANEL REAR MOUNT, UNSHIELDED, UL APPROVED, A-CODED

SIZE	CAGE CODE	DRAWING NO. ZEICHNUNGS-NR.	RESTRICTED TO NUR FÜR
A2	00779	C-2172062	-
SCALE MASSSTAB	SHEET BLATT	1 OF 1	REV A2

SIZE ISO 14405 (E)