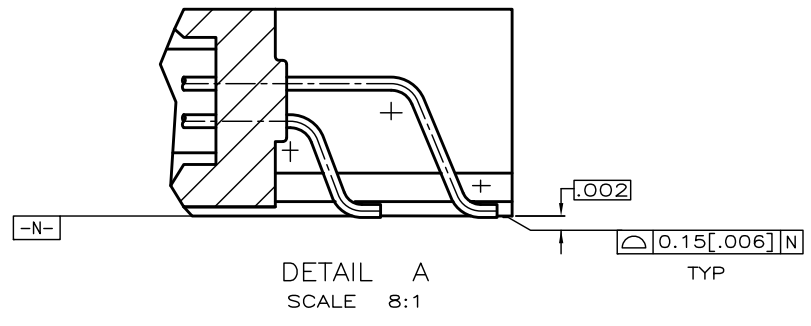
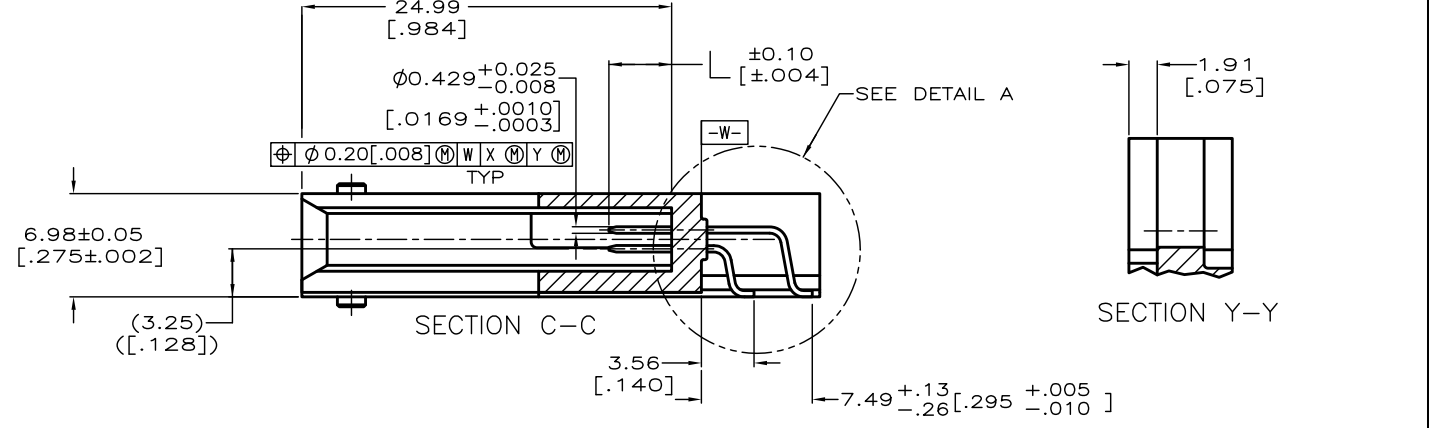
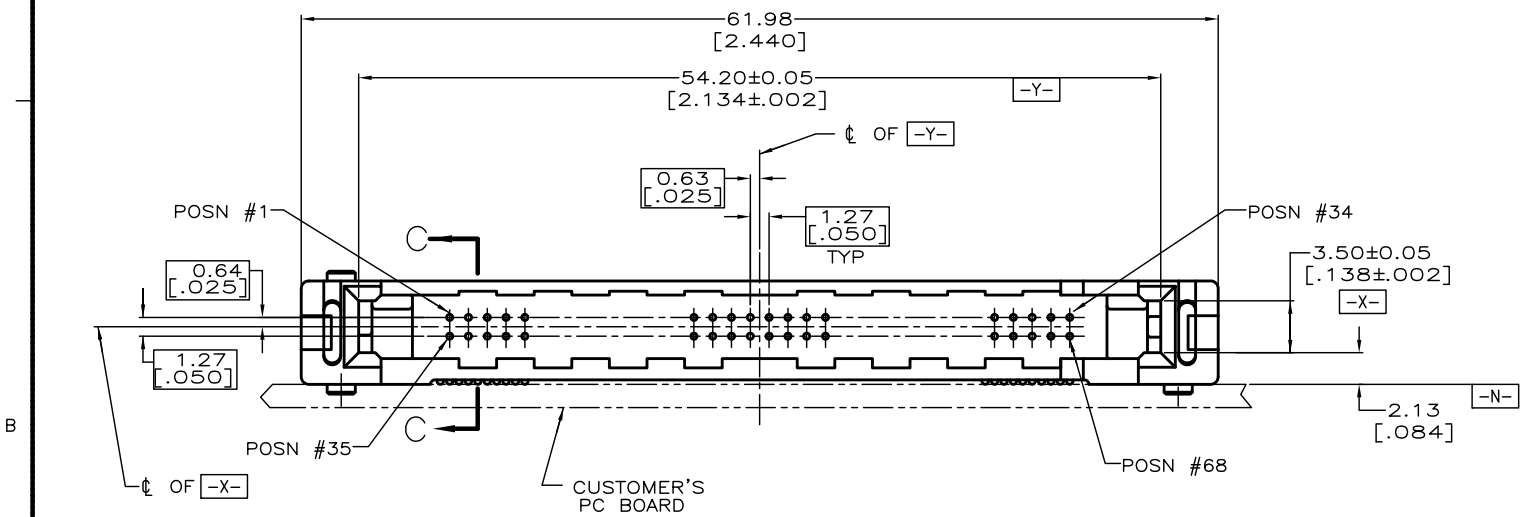
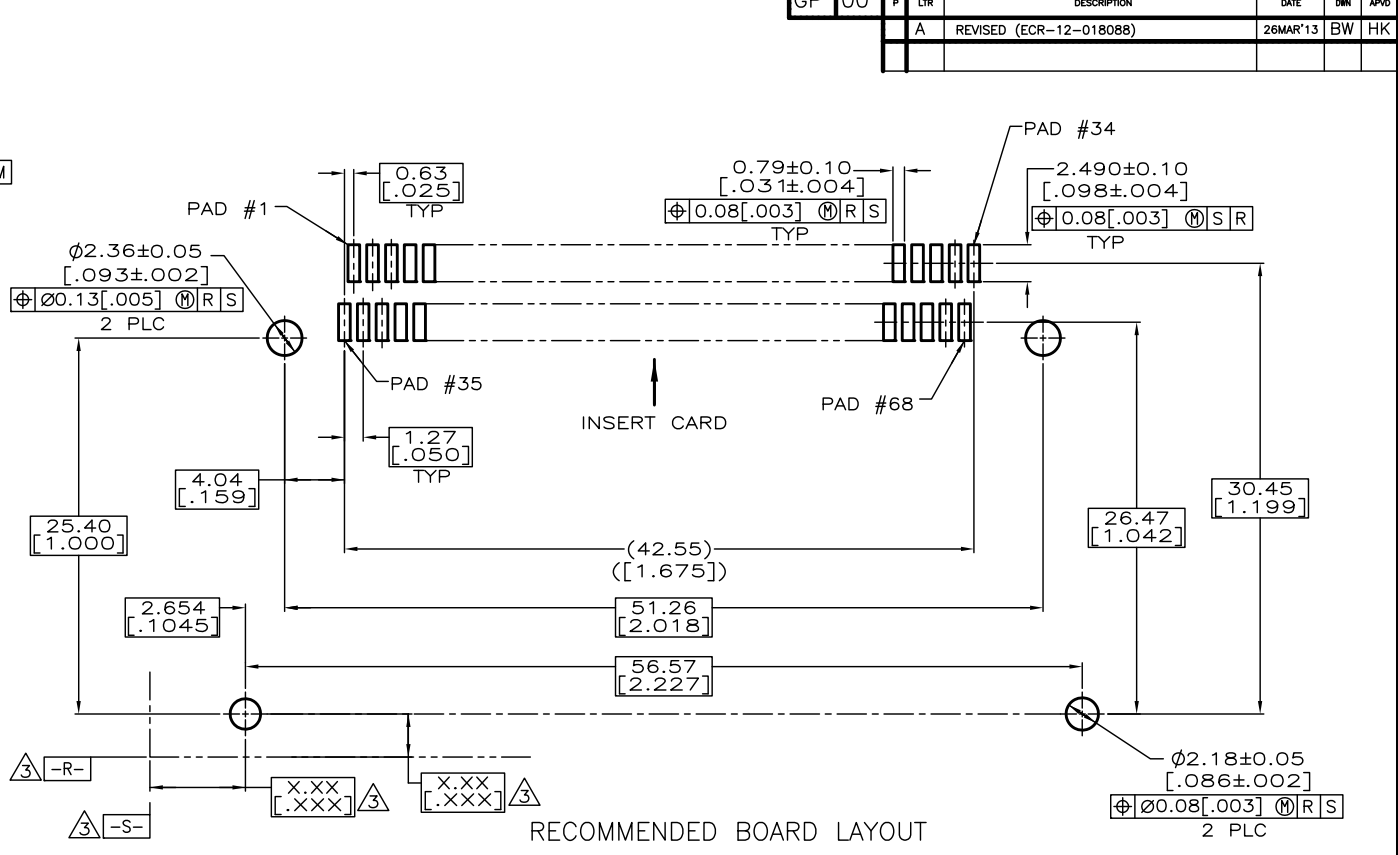
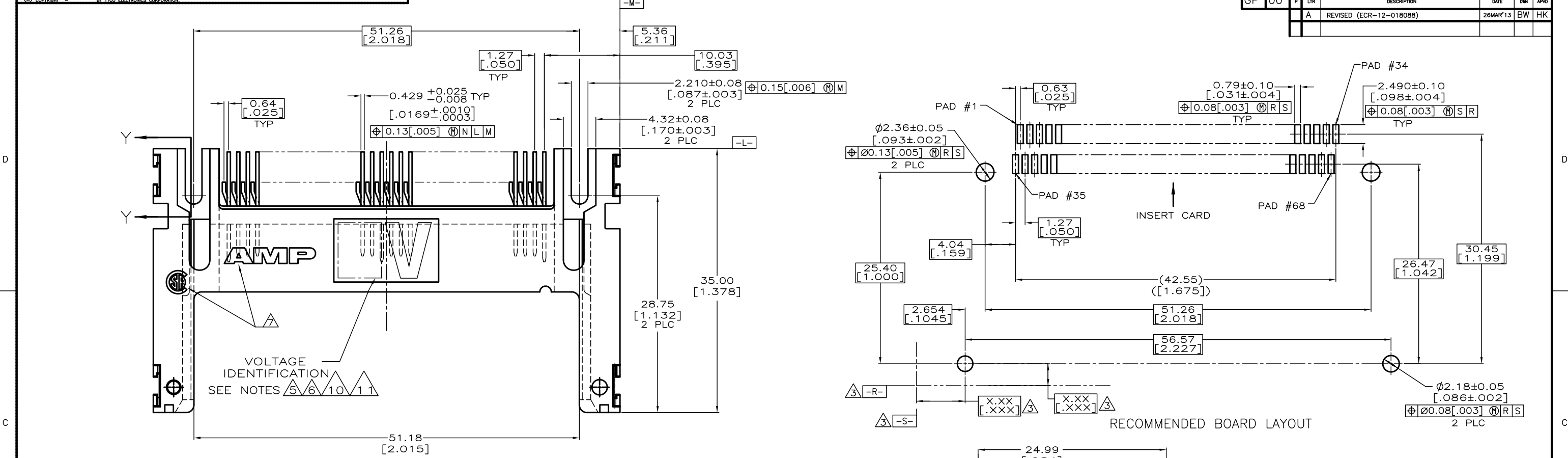


REV	DATE	BY	CHK	DESCRIPTION
A	26MAR'13	BW	HK	REVISED (ECR-12-018088)



- 1 PIN: 0.00076[.000030] MINIMUM GOLD IN CONTACT AREA, 0.00381[.000150] MIN TIN ON SOLDER TAILS, ALL OVER 0.00127[.000050] MINIMUM NICKEL
- 2. CUSTOMER TO PROVIDE CARD GUIDANCE SYSTEM
- 3 DATUMS AND BASIC DIMENSIONS ESTABLISHED BY CUSTOMER
- 4. CONNECTOR REQUIRES USE OF 2 - SIZE 2M SCREWS FOR FASTENING TO PRINTED CIRCUIT BOARD
- 5 ASSEMBLY KEYED FOR 5 VOLT CARDS
- 6 ASSEMBLY KEYED FOR LOW VOLT CARDS (3.3V)
- 7 RECESSED AMP AND CSA LOGOS LOCATED ON BOTH SIDES OF HOUSING.
- 8 PACKAGE IN TRAYS, 9 X 17 INCH APPROXIMATE SIZE.
- 9 PACKAGE IN TRAYS, 9 X 12 INCH APPROXIMATE SIZE.
- 10 NO VOLTAGE IDENTIFICATION ON 5535651-5 KEYED FOR 5V CARDS.
- 11 NO VOLTAGE IDENTIFICATION ON 5535651-6. KEYED FOR LV CARDS.
- 12 HOUSING: LPC COLOR: BLACK PIN: BRASS.

13 OBSOLETE PARTS: OBSOLETE CIS STREAMLINING PER D.RENAUD/D.SINISI

REVISION	DESCRIPTION	DATE	BY	CHK	QTY	PART NUMBER
1	ALL OTHER PINS	36,67			1,17,34	5535651-6
2	ALL OTHER PINS	36,67			1,17,34	5535651-5
3	ALL OTHER PINS	36,67			1,17,34	5535651-4
4	ALL OTHER PINS	36,67			1,17,34	5535651-3
5	ALL OTHER PINS	36,67			1,17,34	5535651-2
6	ALL OTHER PINS	36,67			1,17,34	5535651-1
VOLTAGE KEYING & IDENTIFICATION		PACKAGING	5.0 [1.97]	4.25 [1.167]	3.5 [1.138]	PART NUMBER
			"L" (PIN LENGTH) AND LOCATION			

COPYRIGHT 2005 TYCO ELECTRONICS CORP ALL RIGHTS RESERVED

THIS DRAWING IS A CONTROLLED DOCUMENT. DWG: L.VARELA - DOCKS 03-23-05. CK: D.L. GORENC 03-23-05. APP: M. WALMSLEY 03-23-05. NAME: Tyco Electronics Corporation, Harrisburg, PA 17105-3608.

PRODUCT SPEC: PIN HEADER ASSY, 68 POSN, TOP BOARD MTG, SURFACE MT, AMP MEMORY CARD. APPLICATION SPEC: SIZE: A1, CASE CODE: 00779, DRAWING NO: 5535651, WEIGHT: 6.5 GRAMS, MATERIAL: 12, FINISH: 1.

RESTRICTED TO: CUSTOMER DRAWING. SCALE: 4:1. SHEET 1 OF 1. REV A.