

V3-3019

M

DRAWING NUMBER

ISSUE

6

8

REPLACES

RELEASE NO. PR-6074

CHECK

REVISIONS

A	PR-6074	
	R E R	
6	AUG 76	
B	C055729	
	K E W	
29	AUG 84	
C	CO 56987	
	SMA	
1	OCT 85	
D	CO 72387	
	WJC	
27	JUN 92	
E	C076103	
	L F	
4	OCT 93	

CHECK

4

OCT 93

18 JULY 74

D J U N E 74

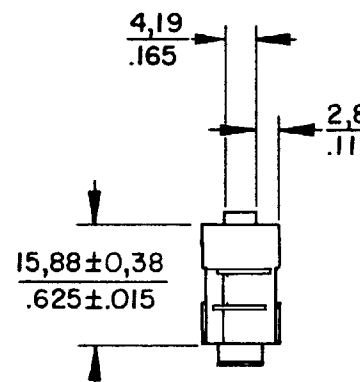
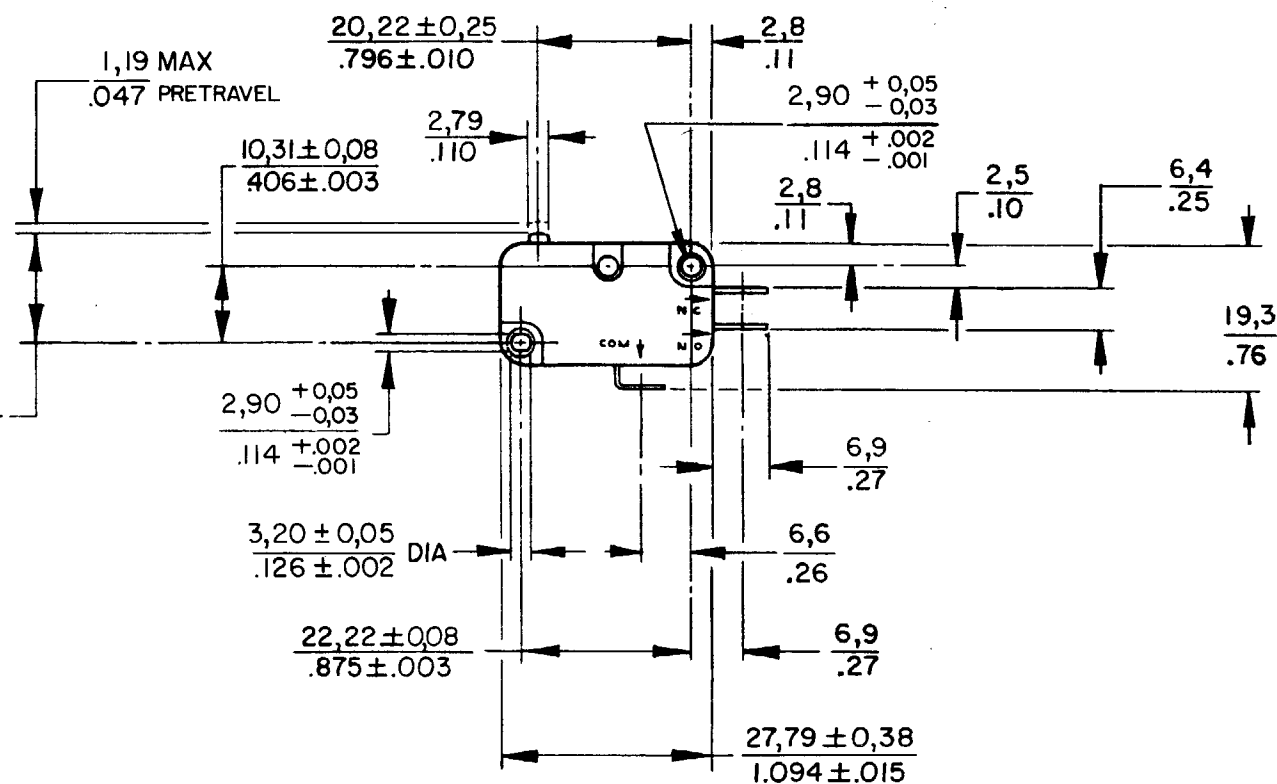
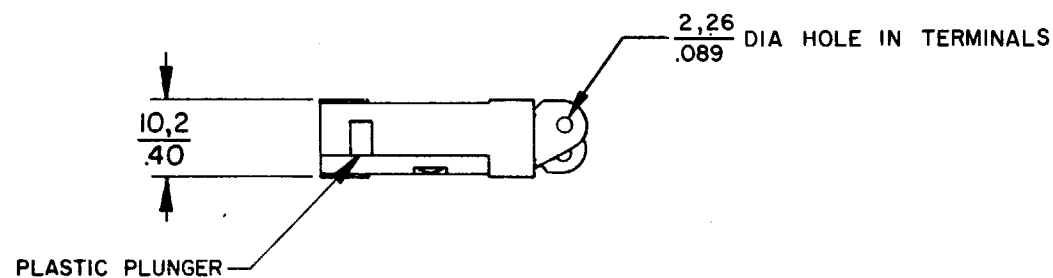
CHECK

5 JUNE 74

J A L

FO-52851

DRAWN



NOTES

- 1 - LINEAR MEASURE  $\frac{mm}{IN}$ , mm/IN.
- 2 - mm DIMENSIONS ARE FOR REF ONLY
- 3 - TERMINALS ARE SILVER PLATED FOR SOLDERING

CHARACTERISTICS	ELECTRICAL DATA	SCALE FULL
OPERATING FORCE----- 150 GRAM MAX	CONTACT ARRANGEMENT S P D T	DO NOT SCALE PRINT
RELEASE TRAVEL----- .010 MIN	L83 15.1A 1/2HP 125 OR 250 VAC 1/2A 125 VDC, 1/4A 250 VDC 5A 125 VAC "L" 	UNLESS OTHERWISE NOTED
RELEASE FORCE----- 15 GRAM MIN		DIMENSIONS ARE IN INCHES
DIFFERENTIAL TRAVEL----- 0.05_0.26 .002 .010		<b>TOLERANCES ARE:</b>
OVERTRAVEL----- 1.27 / .050 MIN		ONE PLACE (.01) ±0.8/.030
FREE POSITION----- 15.88 / .625 MAX		TWO PLACE (.001) ±0.38/.015
	THREE PLACE (.0001) ±0.15/.005	
	ANGLES ±	
	WEIGHT .016 LB	