

THIS DRAWING IS UNPUBLISHED.

RELEASED FOR PUBLICATION

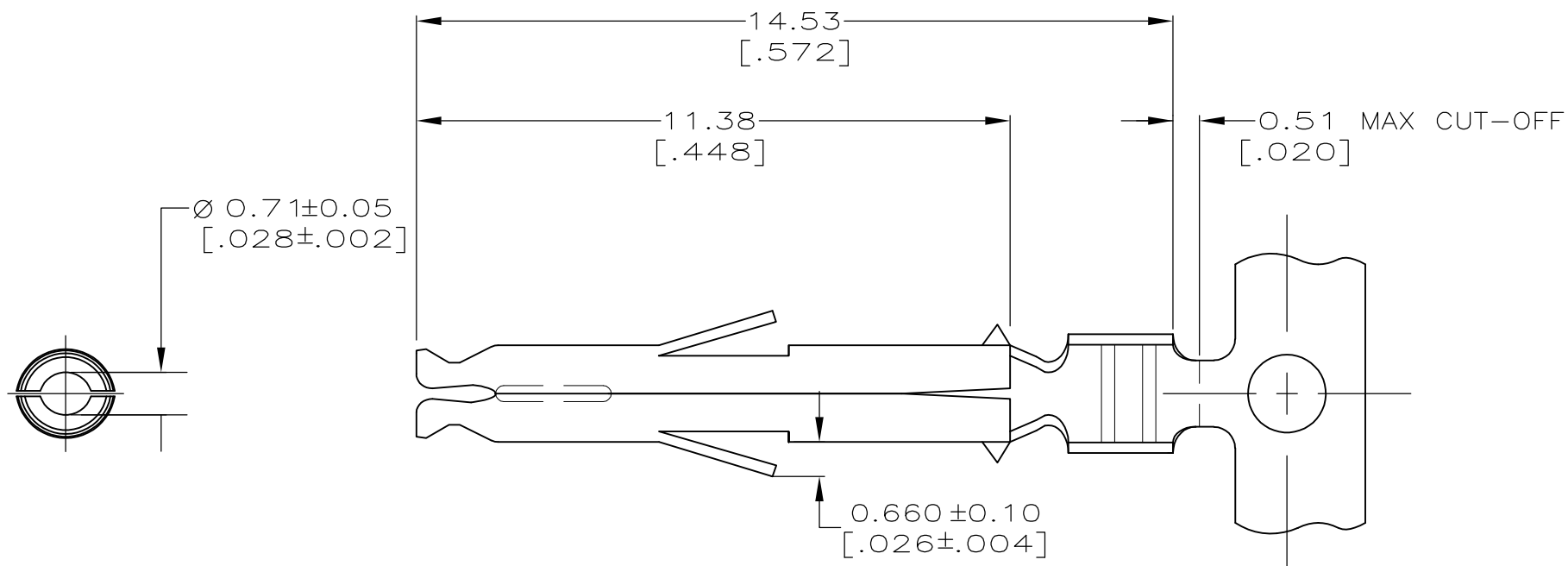
ALL RIGHTS RESERVED.

© COPYRIGHT - By -

LOC CM DIST 00

REVISIONS

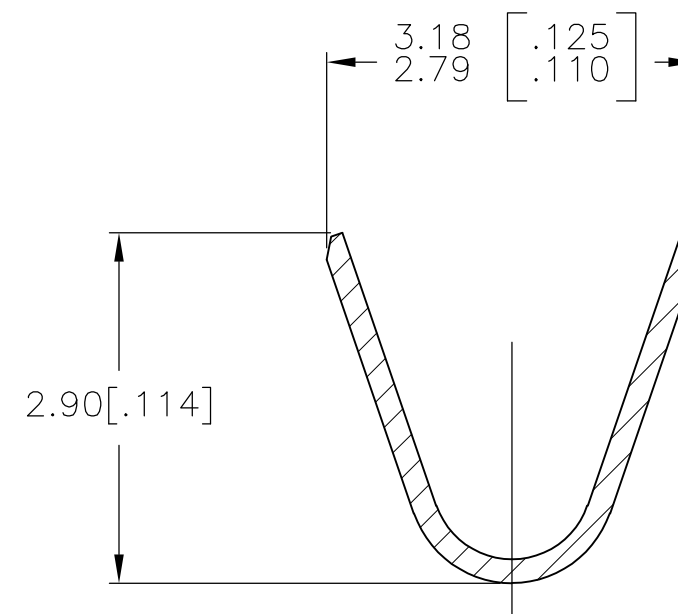
P	LTR	DESCRIPTION	DATE	DWN	APVD
	B	REVISED PER ECR-12-018712	02NOV12	KH	TM



- 1 WIRE RANGE: 1.3 - 1.4 MM<sup>2</sup> (16 AWG).
- 2 INSULATION RANGE: 3.3 [.130] MAX DIA.
- 3 DIMENSIONS IN BRACKETS ARE IN INCHES.

0.660±0.10  
[.026±.004]

1.93  
[.076]



SECTION A-A  
SCALE 20:1

PRE-TIN	0.20 [.008] BRASS	1586538-1
FINISH	MATERIAL	PART NO

THIS DRAWING IS A CONTROLLED DOCUMENT.

DIMENSIONS: mm [INCHES]	TOLERANCES UNLESS OTHERWISE SPECIFIED:
	± -
	± -
	± 0.13 [.005]
	± -
	± -
	± 0°30'

MATERIAL - FINISH -

DWN	K. WHITAKER	19OCT2004
CHK	C. JONES	19OCT2004
APVD	C. JONES	19OCT2004
PRODUCT SPEC	-	-
APPLICATION SPEC	-	-
WEIGHT	-	-

TE Connectivity				NAME	
				SOCKET, MINI UNIVERSAL MATE-N-LOK(TM)	
SIZE	CAGE CODE	DRAWING NO	RESTRICTED TO		
A3	00779	C-1586538	-		

CUSTOMER DRAWING SCALE 10:1 SHEET 1 OF 1 REV B