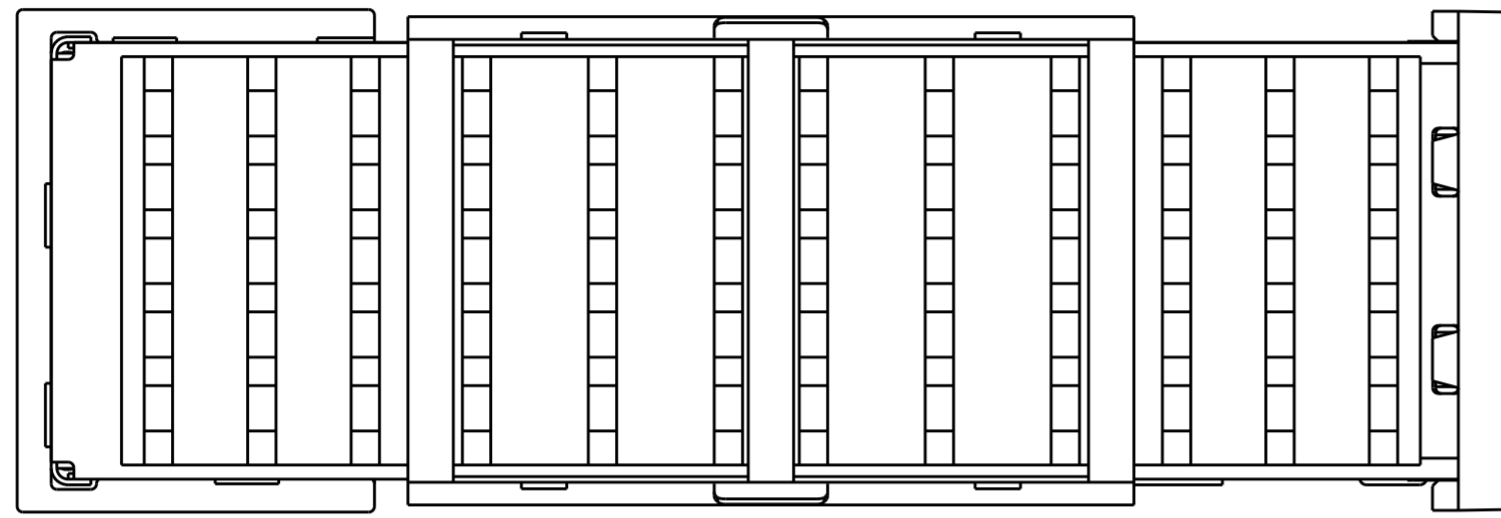
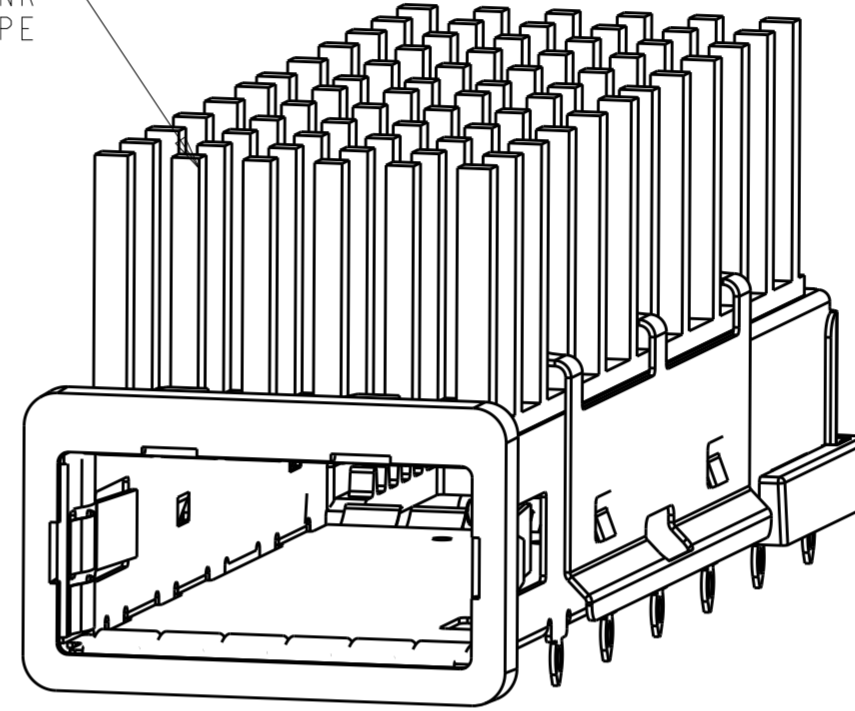


THIS DRAWING IS UNPUBLISHED. RELEASED FOR PUBLICATION 20  
 © COPYRIGHT 20 BY - ALL RIGHTS RESERVED.

LOC	DIST	REVISIONS					
GP	00	P	LTR	DESCRIPTION	DATE	DWN	APVD
		D	I	REVISED PER ECR-17-012071	17AUG2017	IT	SH
		E		REVISED PER ECO-19-018836	12OCT2019	JY	SH

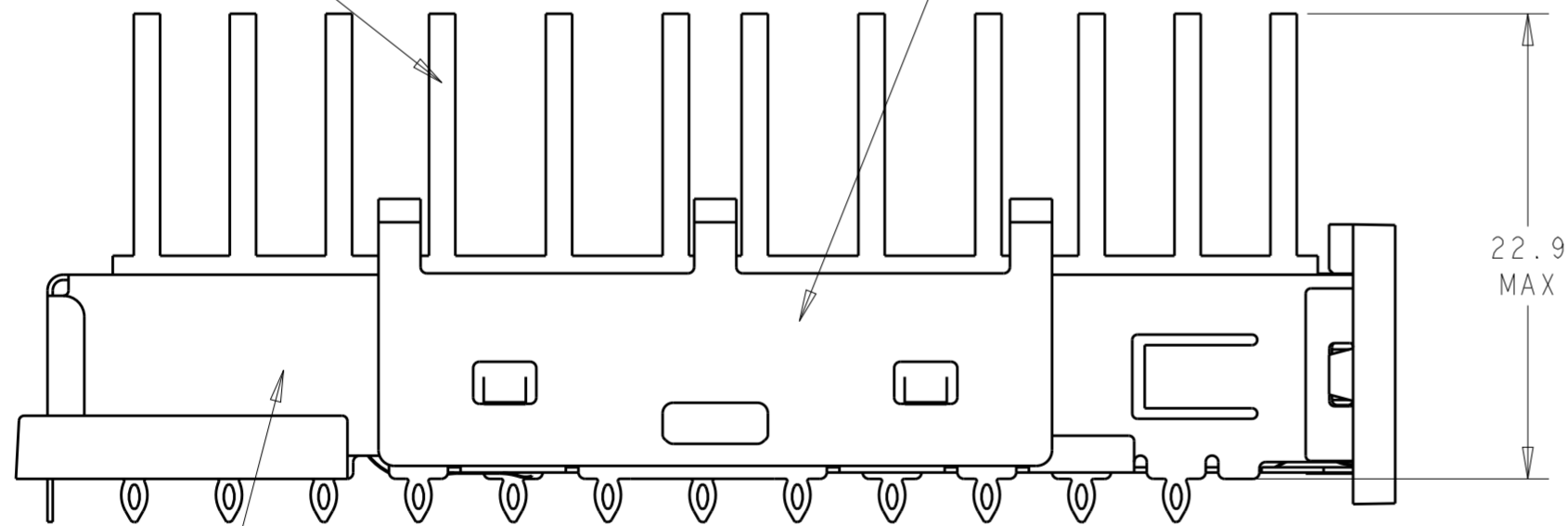


XFP HEAT SINK  
PIN TYPE

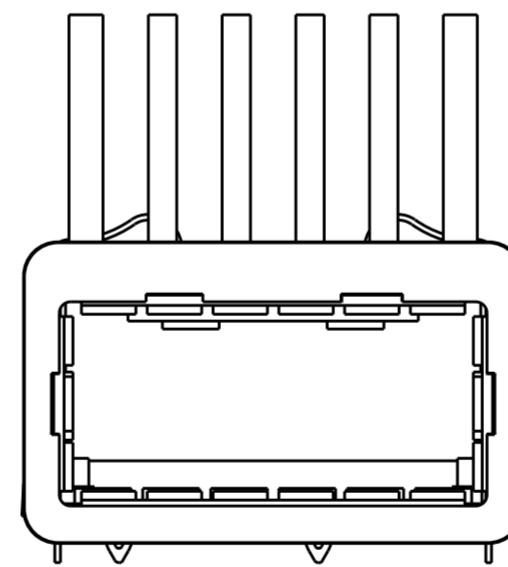


1888065-1  
SCALE 3:1

XFP HEAT SINK XFP HEAT SINK CLIP



XFP CAGE ASSEMBLY



NOTE

- MATES WITH XFP MSA COMPLIANT TRANSCEIVERS.
- SEE COMPONENT DRAWINGS FOR COMPONENT DIMENSIONS AND INFORMATION.

ANODIZE BLACK	2363937-2	1489948-2	1489951-1	CUSTOMIZED	1888065-3
ANODIZE BLACK	2170391-2	1489948-2	1489951-1	NETWORKING	1888065-2
NICKEL PLATING	1542706-3	1489948-2	1489951-1	NETWORKING	1888065-1
HEAT SINK FINISH	HEAT SINK PART NUMBER	HEAT SINK CLIP PART NUMBER	CAGE ASSEMBLY PART NUMBER	APPLICATION	PART NUMBER

THIS DRAWING IS A CONTROLLED DOCUMENT.

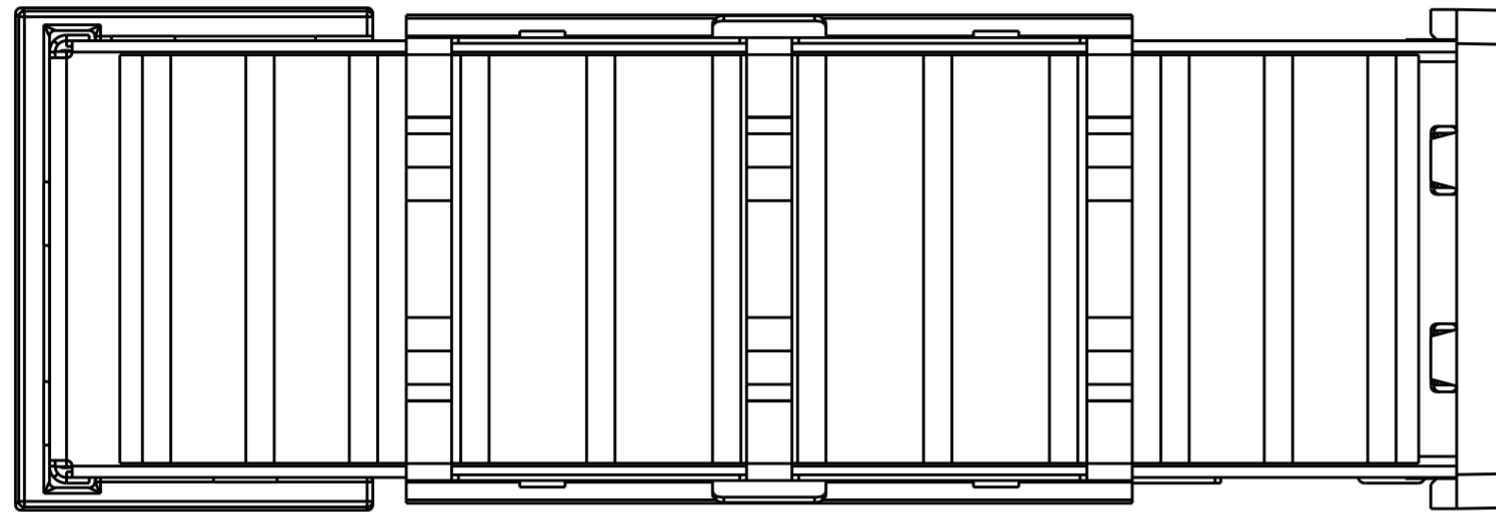
DWN	B. MCMASTER	24MAY06
CHK	J. KOPPENHEFFER	24MAY06
APVD	J. KOPPENHEFFER	24MAY06
PRODUCT SPEC	108-2127	
APPLICATION SPEC	114-13096	
WEIGHT	-	
CUSTOMER DRAWING	SCALE 3:1	SHEET 1 OF 3

NAME: XFP KIT ASSEMBLY

SIZE: A2 CAGE CODE: 00779 DRAWING NO: C-1888065 RESTRICTED TO: E

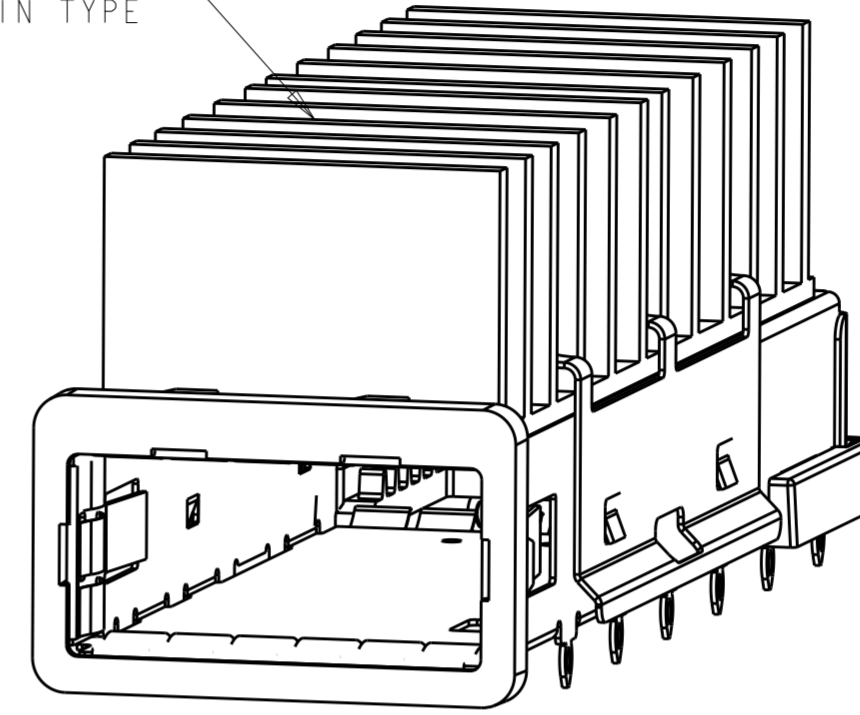
THIS DRAWING IS UNPUBLISHED. RELEASED FOR PUBLICATION 20  
 © COPYRIGHT 20 BY - ALL RIGHTS RESERVED.

LOC	DIST	REVISIONS			
P	LTR	DESCRIPTION	DATE	DWN	APVD
GP	00	-	SEE SHEET 1	-	-

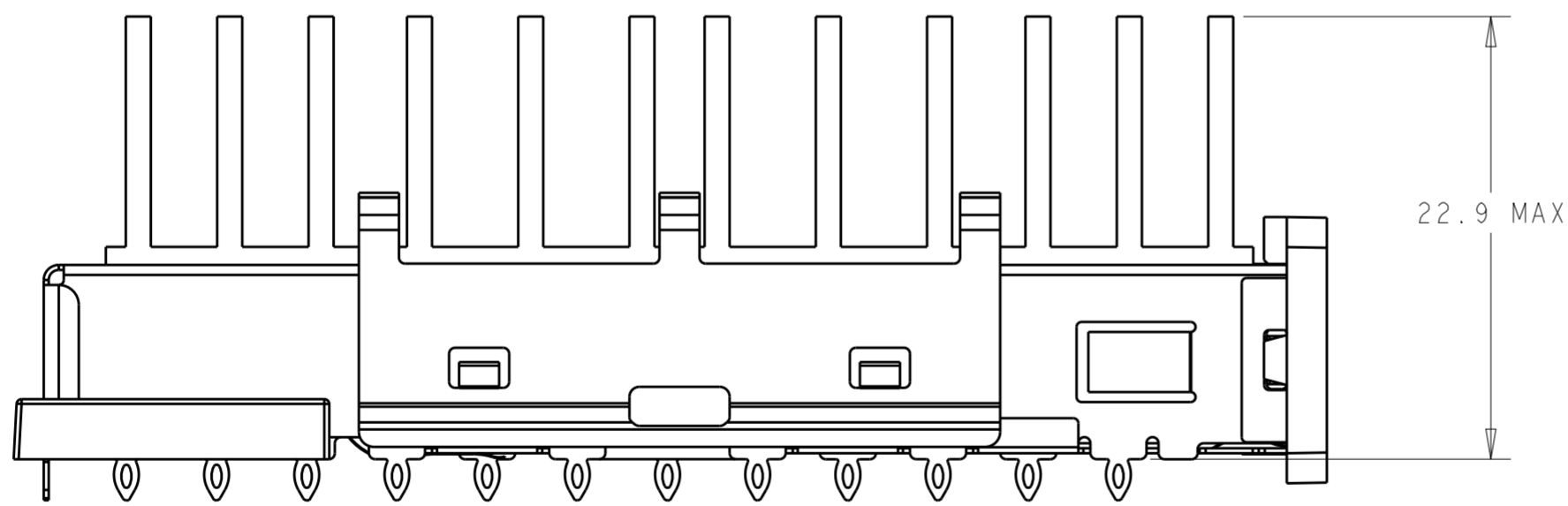


SCALE 3:1

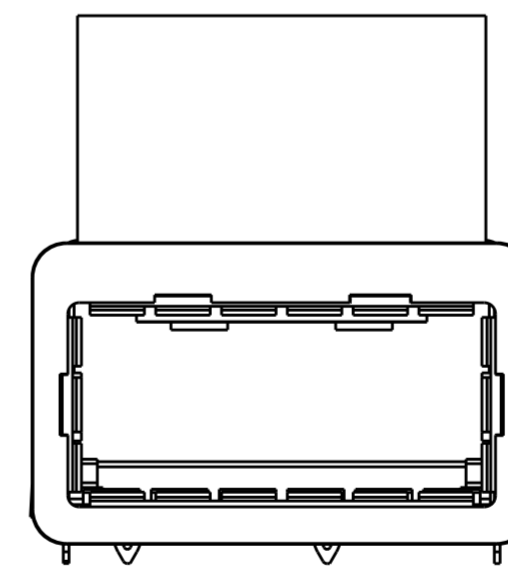
XFP HEAT SINK  
FIN TYPE



1888065-2  
SCALE 3:1



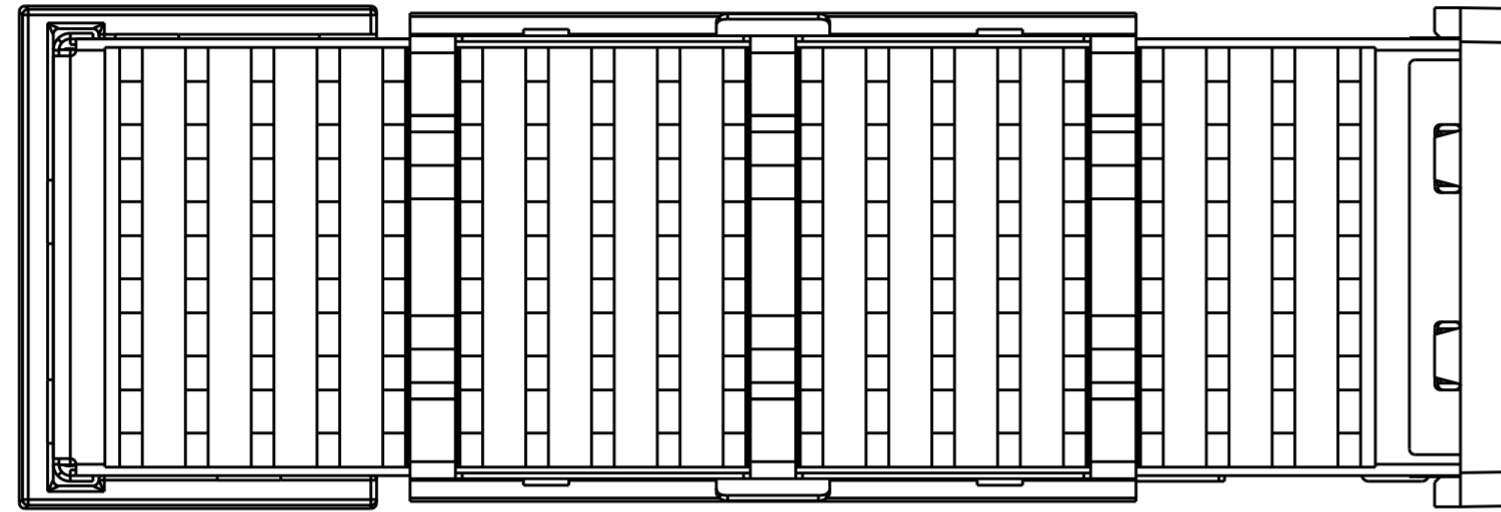
22.9 MAX



THIS DRAWING IS A CONTROLLED DOCUMENT.		DWN B. MCMASTER	24MAY06	<b>STE</b> TE Connectivity
DIMENSIONS:		CHK J. KOPPENHEFFER	24MAY06	
TOLERANCES UNLESS OTHERWISE SPECIFIED:		APVD J. KOPPENHEFFER	24MAY06	
mm		PRODUCT SPEC	NAME XFP KIT ASSEMBLY	
0 PLC ±		108-2127	APPLICATION SPEC	SIZE
1 PLC ±		114-13096	WEIGHT	CAGE CODE
2 PLC ±				DRAWING NO
3 PLC ±				RESTRICTED TO
4 PLC ±				A200779
ANGLES ±				C-1888065
FINISH				SCALE 3:1
MATERIAL				SHEET 2 OF 3
				REV E

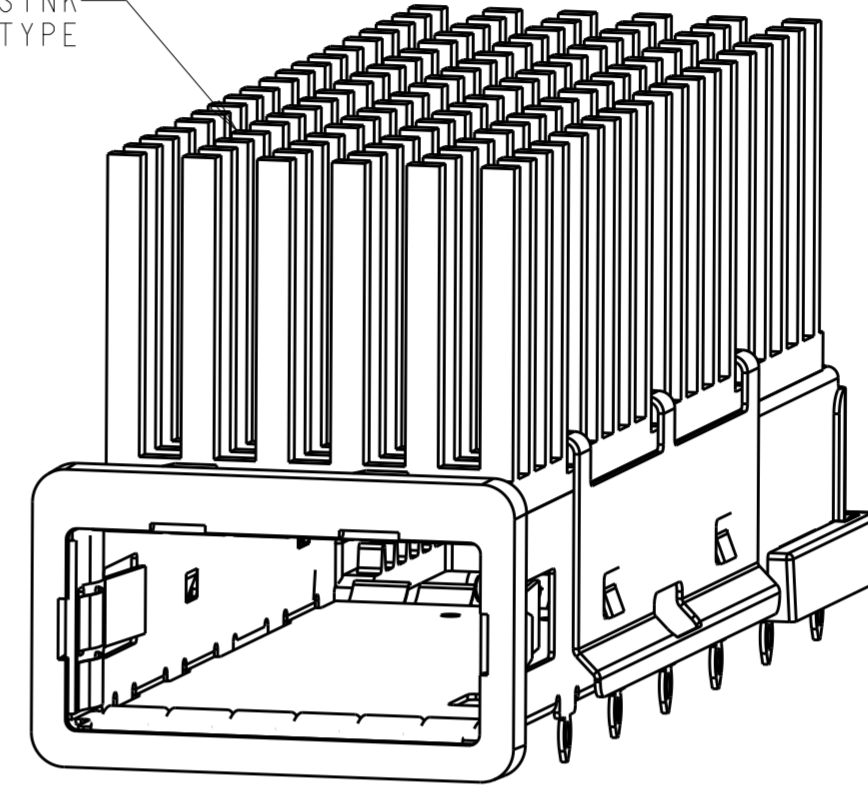
THIS DRAWING IS UNPUBLISHED. RELEASED FOR PUBLICATION 20  
 © COPYRIGHT 20 BY - ALL RIGHTS RESERVED.

LOC	DIST	REVISIONS					
GP	00	P	LTR	DESCRIPTION	DATE	DWN	APVD
		-		SEE SHEET 1	-	-	-

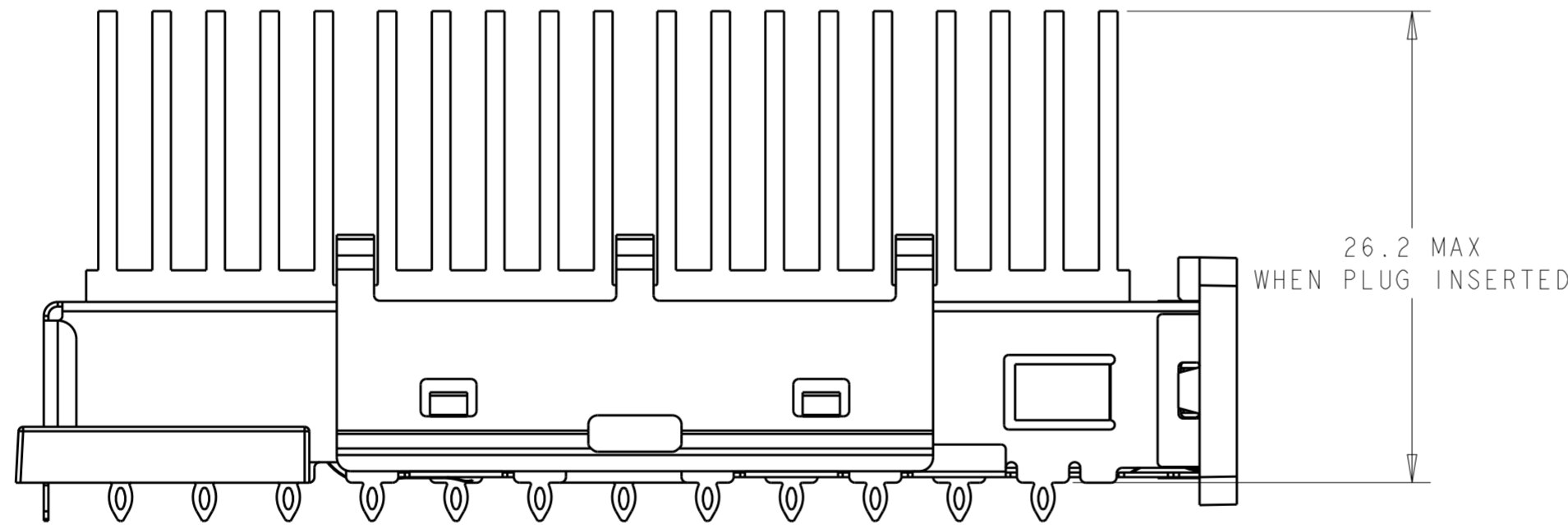


SCALE 3:1

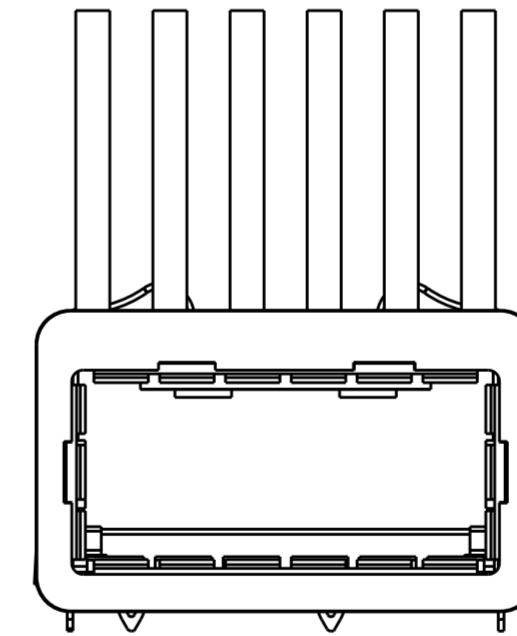
XFP HEAT SINK  
PIN TYPE



1888065-3  
SCALE 3:1



26.2 MAX  
WHEN PLUG INSERTED



THIS DRAWING IS A CONTROLLED DOCUMENT.		DWN B. MCMASTER	24MAY06	<b>STE</b> TE Connectivity			
DIMENSIONS:		CHK J. KOPPENHEFFER	24MAY06				
mm		APVD J. KOPPENHEFFER	24MAY06				
TOLERANCES UNLESS OTHERWISE SPECIFIED:		NAME XFP KIT ASSEMBLY					
0 PLC	±	PRODUCT SPEC	108-2127	SIZE	CAGE CODE	DRAWING NO	RESTRICTED TO
1 PLC	±	APPLICATION SPEC	114-13096	A200779	C-1888065		
2 PLC	±	WEIGHT	-	SCALE 3:1 SHEET 3 OF 3 REV E			
3 PLC	±	CUSTOMER DRAWING					
4 PLC	±						
ANGLES	±						
FINISH							