

# Unshielded Radial Power Inductor

AIUR-15 Series



RoHS/RoHS II compliant



20.0 x  $\phi$ 18.0mm

## FEATURES:

- Ferrite Core
- High Reliability

## APPLICATIONS:

- Switching Power Supplies
- Noise Filtering
- DC to DC Converters
- Electronic Household Appliances
- Buzzers and Alarm Systems
- Television and Audio Equipment

## STANDARD SPECIFICATIONS:

PARAMETERS	
ABRACON P/N:	AIUR-15 Series
Operating temperature:	-40°C to + 125°C (including self-heating)
Storage temperature:	-40°C to + 125°C

Part Number AIUR-15- Inductance Code	Inductance	Tolerance	DCR (Max)	I <sub>RATED</sub> (Max)	Marking
Units	$\mu$ H	%	$\Omega$	A	
Symbol	L	M, K	DCR	I <sub>DC</sub>	
AIUR-15-220	22	M	0.030	5.7	220M
AIUR-15-270	27	M	0.033	5.0	270M
AIUR-15-330	33	K	0.038	4.8	330K
AIUR-15-390	39	K	0.038	4.5	390K
AIUR-15-470	47	K	0.044	4.2	470K
AIUR-15-560	56	K	0.048	4.0	560K
AIUR-15-680	68	K	0.055	3.8	680K
AIUR-15-820	82	K	0.066	3.5	820K
AIUR-15-101	100	K	0.082	3.2	101K
AIUR-15-121	120	K	0.098	3.0	121K
AIUR-15-151	150	K	0.110	2.7	151K
AIUR-15-181	180	K	0.130	2.5	181K
AIUR-15-221	220	K	0.160	2.3	221K
AIUR-15-271	270	K	0.190	2.0	271K
AIUR-15-331	330	K	0.260	1.8	331K
AIUR-15-391	390	K	0.290	1.7	390K
AIUR-15-471	470	K	0.330	1.5	471K
AIUR-15-561	560	K	0.410	1.4	561K
AIUR-15-681	680	K	0.460	1.3	681K
AIUR-15-821	820	K	0.630	1.1	821K
AIUR-15-102	1000	K	0.710	1.0	102K

## Test Conditions

Test frequency: 1KHz, 0.25Vrms

I<sub>RATED</sub>: The DC current at which L drops 10% typical from its initial value or  $\Delta T \leq 40^\circ\text{C}$ , whichever is lower.

# Unshielded Radial Power Inductor

AIUR-15 Series

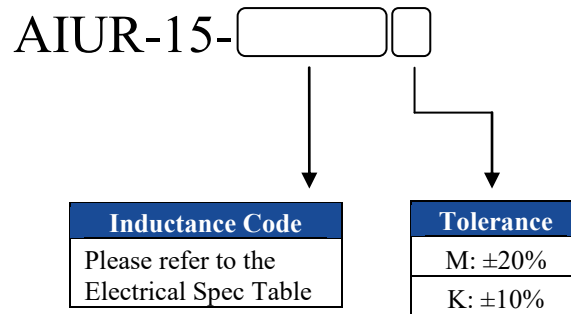


RoHS/RoHS II compliant

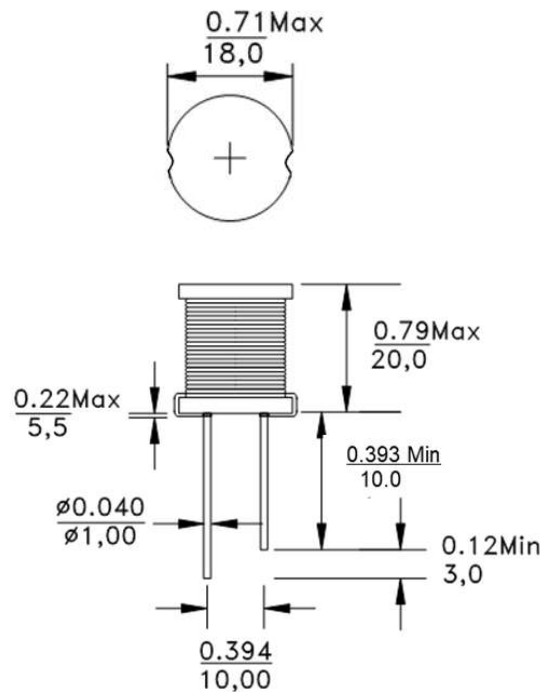


20.0 x  $\phi$ 18.0mm

## ➤ PART IDENTIFICATIONS:



## ➤ OUTLINE DRAWING:



Dimension: inch/mm

Packaging: 90 pcs/Box

**ATTENTION:** Abracon LLC's products are COTS – Commercial-Off-The-Shelf products; suitable for Commercial, Industrial and, where designated, Automotive Applications. Abracon's products are not specifically designed for Military, Aviation, Aerospace, Life-dependant Medical applications or any application requiring high reliability where component failure could result in loss of life and/or property. For applications requiring high reliability and/or presenting an extreme operating environment, written consent and authorization from Abracon LLC is required. Please contact Abracon LLC for more information.



5101 Hidden Creek Ln Spicewood TX 78669  
Phone: 512-371-6159 | Fax: 512-351-8858  
For terms and conditions of sales, please visit: [www.abracon.com](http://www.abracon.com)

REVISED: 08-02-2021

ABRACON IS  
ISO9001-2015  
CERTIFIED