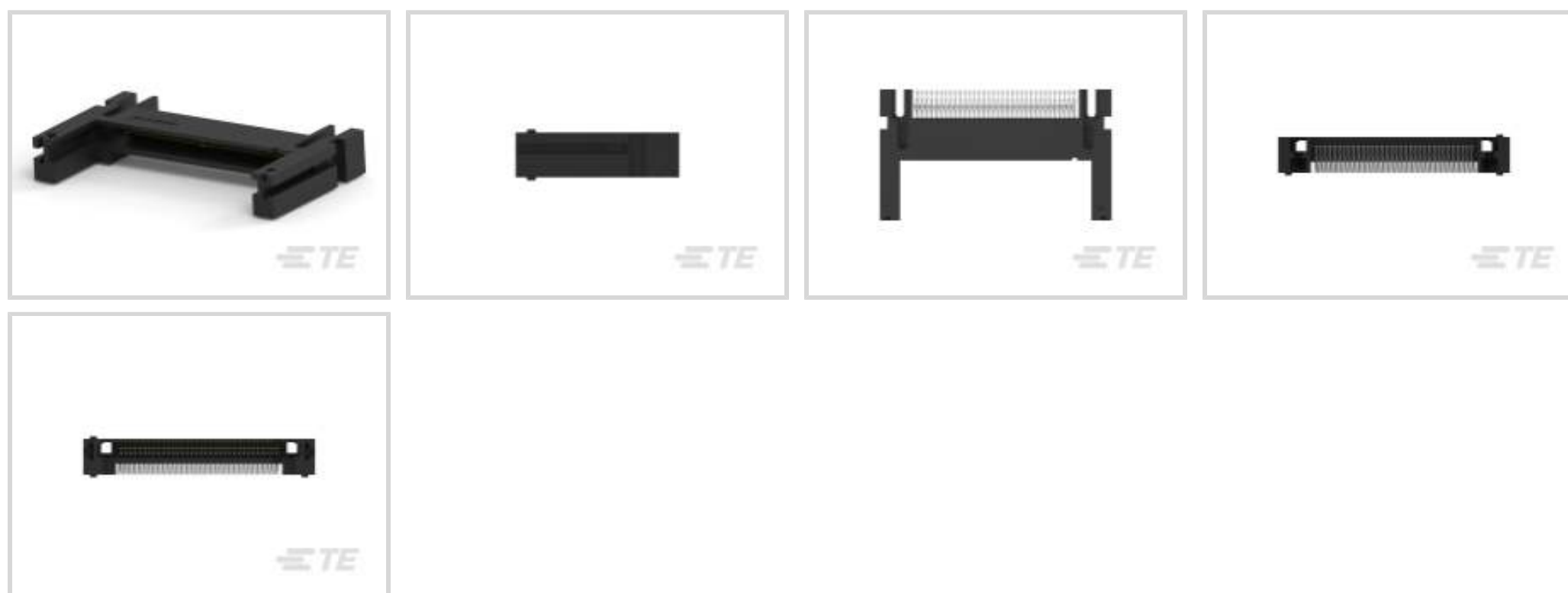




CGS RSS

TE Internal #: 5535657-2

PCMCIA Connectors, Fully Shrouded, Cable-to-Board, 68 Position,
1.27 mm [.05 in] Centerline, 2 Row, 1 Card Slots, Surface Mount,
Right Angle, CGS RSS

[View on TE.com >](#)
[Connectors](#) > [PCB Connectors](#) > [Memory Card Connectors](#) > [PCMCIA Connectors](#)
Header Type: **Fully Shrouded**Connector System: **Cable-to-Board**Number of Positions: **68**Centerline (Pitch): **1.27 mm [.05 in]**Number of Rows: **2**

Features

Product Type Features

Header Type	Fully Shrouded
Connector System	Cable-to-Board
Connector & Contact Terminates To	Printed Circuit Board

Configuration Features

Number of Positions	68
Number of Rows	2
Number of Card Slots	1
PCB Mount Orientation	Right Angle

Electrical Characteristics

Voltage Rating	3.3 VAC
----------------	---------

Body Features

Primary Product Color	Black
Connector Profile	Raised



Contact Features

Contact Layout	Staggered
Contact Type	Pin
	30 µin
Contact Mating Area Plating Material	Gold
Contact Underplating Material	Nickel
PCB Contact Termination Area Plating Material	Tin
Contact Base Material	Brass
Contact Current Rating (Max)	.1 A

Termination Features

Termination Method to Printed Circuit Board	Surface Mount
---	---------------

Mechanical Attachment

Connector Mounting Type	Board Mount
-------------------------	-------------

Housing Features

Housing Material	LCP (Liquid Crystal Polymer)
Centerline (Pitch)	1.27 mm [.05 in]

Dimensions

Profile Height from PCB	2.59 mm [.102 in]
-------------------------	-------------------

Usage Conditions

Operating Temperature Range	-20 – 70 °C [-4 – 158 °F]
-----------------------------	---------------------------

Operation/Application

Shielded	No
Circuit Application	Signal

Industry Standards

UL Flammability Rating	UL 94V-0
------------------------	----------

Packaging Features

Packaging Quantity	20
Packaging Method	Box & Tray, Tray

Other

Memory Card Connector Comment	Two size M2 screws (customer supplied) are required for strain relief.
-------------------------------	--

Product Compliance

For compliance documentation, visit the product page on [TE.com](#)>

EU RoHS Directive 2011/65/EU	Compliant
EU ELV Directive 2000/53/EC	Compliant
China RoHS 2 Directive MIIT Order No 32, 2016	No Restricted Materials Above Threshold
EU REACH Regulation (EC) No. 1907/2006	Current ECHA Candidate List: JUNE 2023 (235) Candidate List Declared Against: JAN 2023 (233) Does not contain REACH SVHC
Halogen Content	Low Halogen - Br, Cl, F, I < 900 ppm per homogenous material. Also BFR/CFR/PVC Free
Solder Process Capability	Reflow solder capable to 260°C

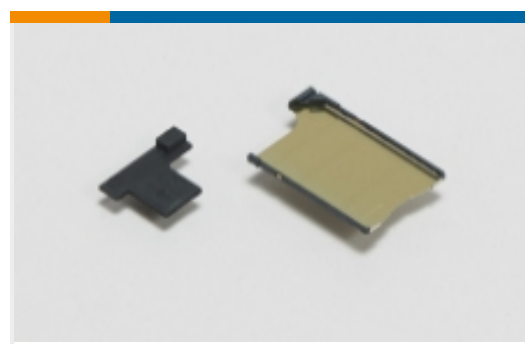
Product Compliance Disclaimer

This information is provided based on reasonable inquiry of our suppliers and represents our current actual knowledge based on the information they provided. This information is subject to change. The part numbers that TE has identified as EU RoHS compliant have a maximum concentration of 0.1% by weight in homogenous materials for lead, hexavalent chromium, mercury, PBB, PBDE, DBP, BBP, DEHP, DIBP, and 0.01% for cadmium, or qualify for an exemption to these limits as defined in the Annexes of Directive 2011/65/EU (RoHS2). Finished electrical and electronic equipment products will be CE marked as required by Directive 2011/65/EU. Components may not be CE marked. Additionally, the part numbers that TE has identified as EU ELV compliant have a maximum concentration of 0.1% by weight in homogenous materials for lead, hexavalent chromium, and mercury, and 0.01% for cadmium, or qualify for an exemption to these limits as defined in the Annexes of Directive 2000/53/EC (ELV). Regarding the REACH Regulation, the information TE provides on SVHC in articles for this part number is based on the latest European Chemicals Agency (ECHA) 'Guidance on requirements for substances in articles' posted at this URL: <https://echa.europa.eu/guidance-documents/guidance-on-reach>

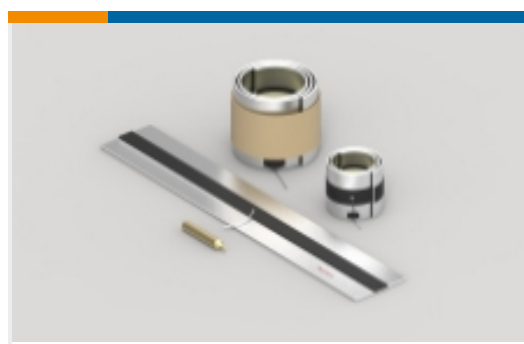
Compatible Parts



Also in the Series | [CGS RSS](#)



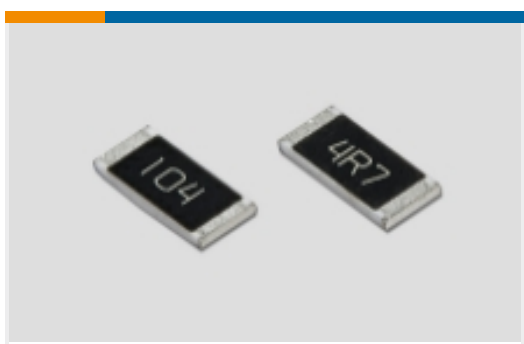
Card Guide Hardware(1)



Duct Seals(4)



PCMCIA Connectors(1)



Surface Mount Resistors(1)



Through-Hole Resistors(68)

Customers Also Bought



TE Part #3-338313-2
9P.HDP20 REC. ASSY



TE Part #4-1879021-9
SMD Power Resistor: 7 Watt, 0.10-500 Ohm



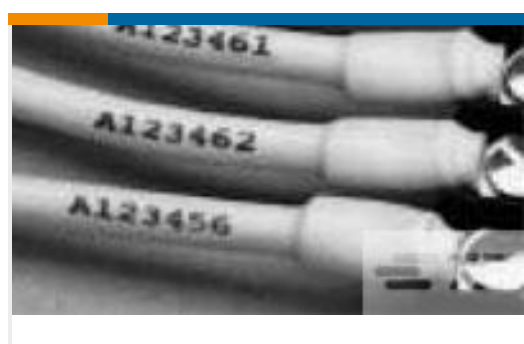
TE Part #2-1676966-3
SMW2 R82 5%



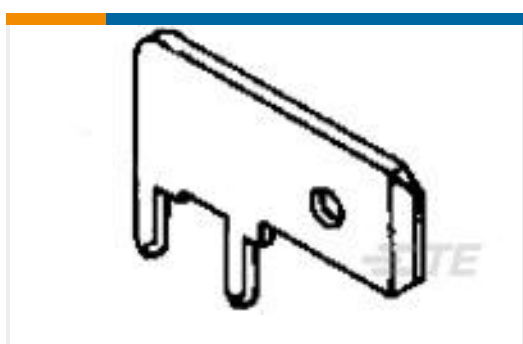
TE Part #167501-2
FEMALE SCREWLOCK



TE Part #1571983-3
GDH02STR04=DIP SWITCH



TE Part #5053092090
RNF-100-1/4-0-STK



TE Part #928814-1
250 FASTON TAB TPBR



TE Part #6-1393234-8
RP421024

Documents

Product Drawings

[68 MEMCD HDR RSD SMT TOP LV](#)

English

CAD Files

[3D PDF](#)

English

[Customer View Model](#)

[ENG_CVM_5535657-2_O.2d_dxf.zip](#)



English

Customer View Model

[ENG_CVM_5535657-2_O.3d_igs.zip](#)

English

Customer View Model

[ENG_CVM_5535657-2_O.3d_stp.zip](#)

English

By downloading the CAD file I accept and agree to the [Terms and Conditions](#) of use.

Product Specifications

[Application Specification](#)

English