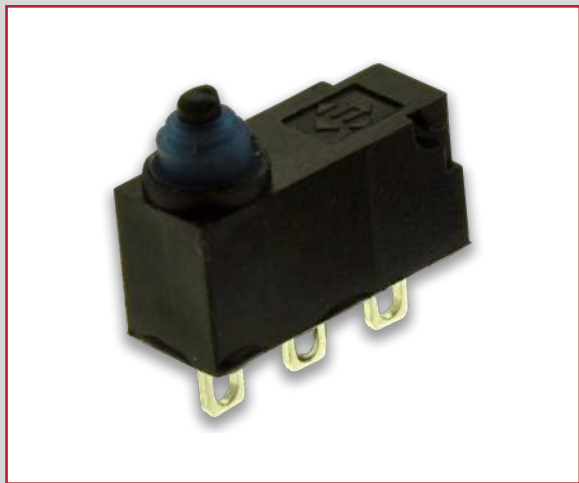


WS SERIES SNAP ACTION SWITCH

ANTI-VANDAL SWITCHES
 DETECTOR SWITCHES
 DIP SWITCHES
 KEYLOCK SWITCHES
 NAVIGATION SWITCHES
 PUSHBUTTON SWITCHES
 ROCKER SWITCHES
 ROTARY SWITCHES
 SLIDE SWITCHES
SNAP ACTION SWITCHES
 TACTILE SWITCHES
 TOGGLE SWITCHES
 CAP OPTIONS



APPLICATIONS / MARKETS



RoHS

SPECIFICATIONS

Contact Rating: 0.5A @ 42VDC
 1A @ 24VDC
 2A @ 12VDC
 3A @ 125/250VAC

Electrical Life: 10,000 Cycles
Mechanical Life: 1,000,000 Cycles
Contact Resistance: 100mΩ Max. Initial
Insulation Resistance: 100MΩ Min. @ 500VDC
Dielectric Strength: 600VAC
Operating/Storage Temperature: -25°C to 85°C
Moisture Protection: IP67
Contact Arrangement: SPDT
Actuation Force: See Table
Agency Approvals: cURus

FEATURES & BENEFITS

- Plunger or lever actuator options
- Multiple termination options
- IP67 rated

PART NUMBER CONFIGURATOR

Series	Operating Temperature	Current Rating	Actuator	Operating Force	Termination	Circuit
<input type="text" value="WS"/>	<input type="text" value="085 - 85°C"/>	<input type="text" value="01 - 0.5A @ 42VDC
1A @ 24VDC
2A @ 12VDC
3A @ 125/250VAC"/>	<input type="text" value="00 - Pin Plunger
01 - 20mm Lever
02 - 15mm Simulated Roller"/>	<input type="text" value="F050 - 50 grams with 01 lever
F070 - 70 grams with 00 plunger or 02 lever"/>	<input type="text" value="P - PCB Pins
S - Solder Lug
W - Wire Leads (300mm Length)"/>	<input type="text" value="A - SPDT"/>

Specifications subject to change without notice 3.9.2018



E-SWITCH®

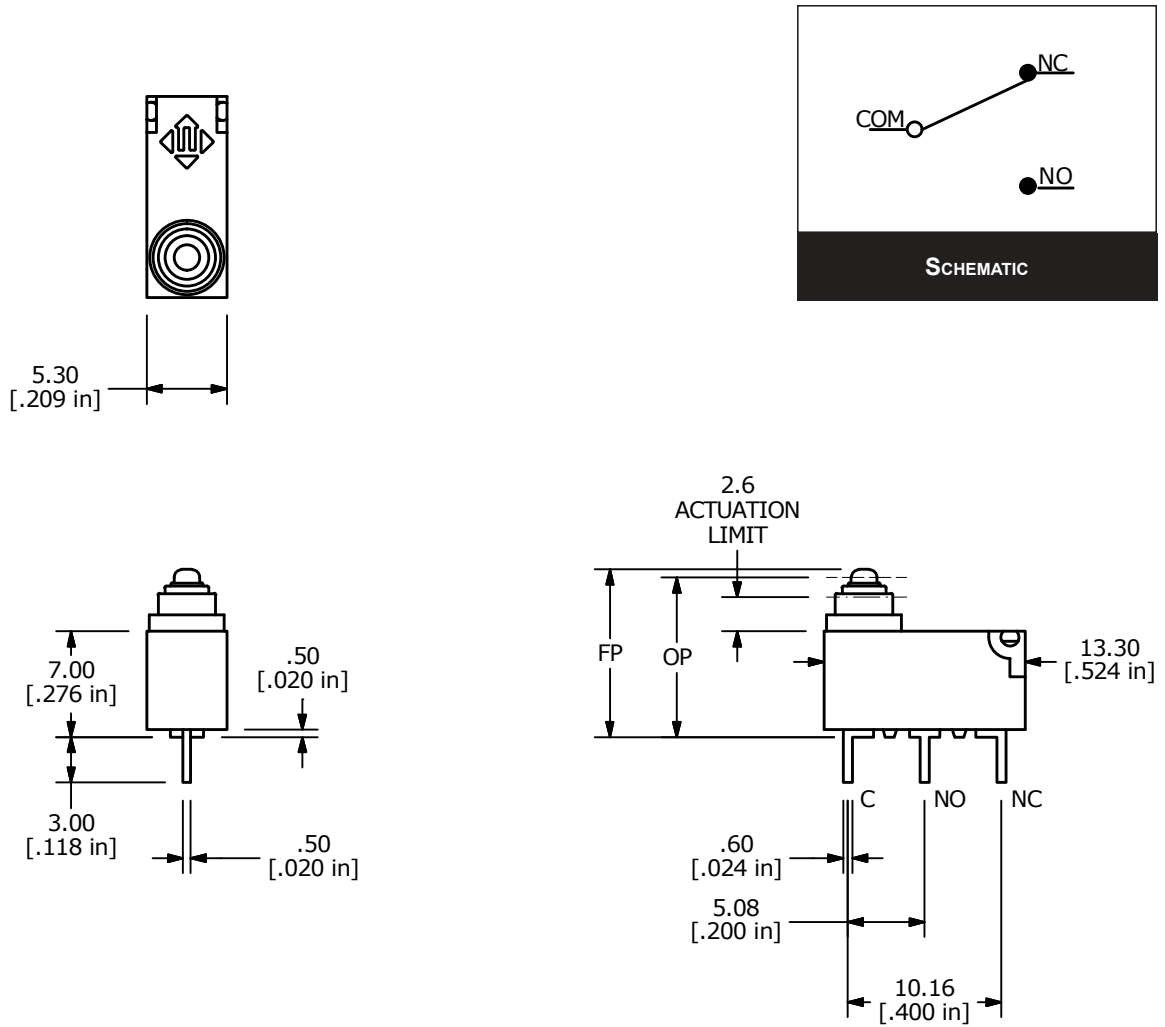
www.e-switch.com

800.867.2717

1

WS SERIES SNAP ACTION SWITCH

PCB PIN TERMINALS

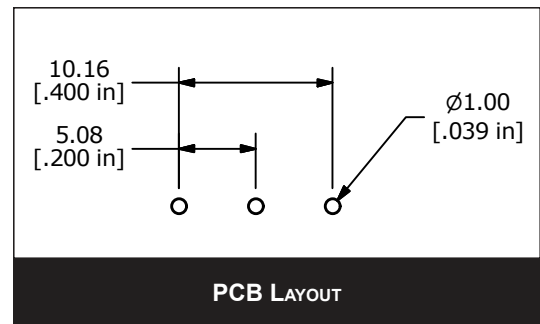


NOTE: ACTUATION BELOW THE 2.6mm ACTUATION LIMIT MAY CAUSE DAMAGE TO THE INTERNAL CONTACTS.

PCB TERMINALS WITH 00 PIN PLUNGER

OPERATING POINT CHART		
ACTUATOR STYLE	FREE POINT	OPERATING POINT
00	11.5mm Max.	10.5±0.3mm
01	15.5mm Max.	13.3±0.8mm
02	16.0mm Max.	14.8±0.8mm

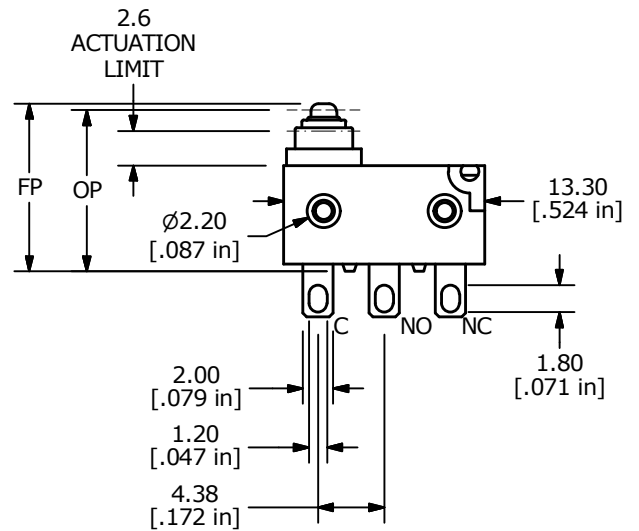
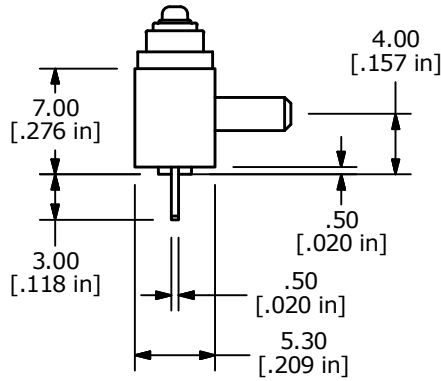
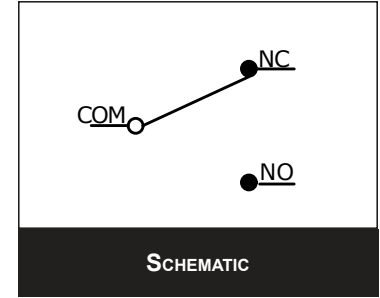
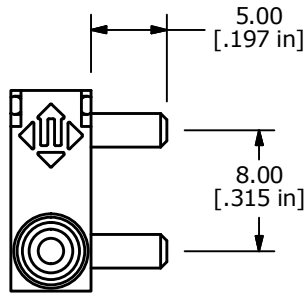
NOTE: FOR WIRE LEAD TERMINATION MODELS, THE FREE POINT AND OPERATING POINT WOULD BE MEASURED FROM THE MOUNTING BOSSES. THIS WILL REDUCE THE ABOVE LISTED VALUES BY 4MM'S



ANTI-VANDAL SWITCHES
 DETECTOR SWITCHES
 DIP SWITCHES
 KEYLOCK SWITCHES
 NAVIGATION SWITCHES
 PUSHBUTTON SWITCHES
 ROCKER SWITCHES
 ROTARY SWITCHES
 SLIDE SWITCHES
 SNAP ACTION SWITCHES
 TACTILE SWITCHES
 TOGGLE SWITCHES
 CAP OPTIONS

WS SERIES SNAP ACTION SWITCH

SOLDER LUG TERMINALS



NOTE: ACTUATION BELOW THE 2.6mm ACTUATION LIMIT MAY CAUSE DAMAGE TO THE INTERNAL CONTACTS.

SOLDER LUG TERMINALS WITH 00 PIN PLUNGER

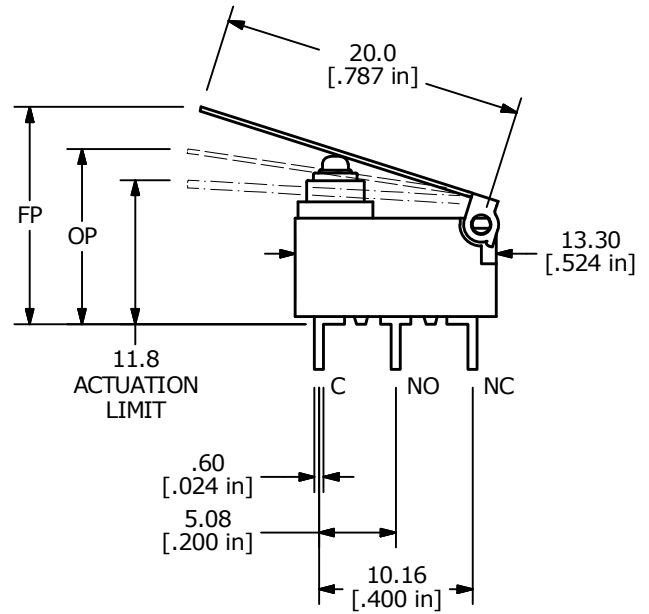
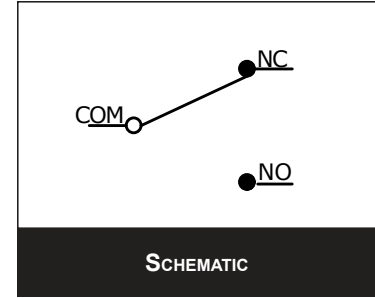
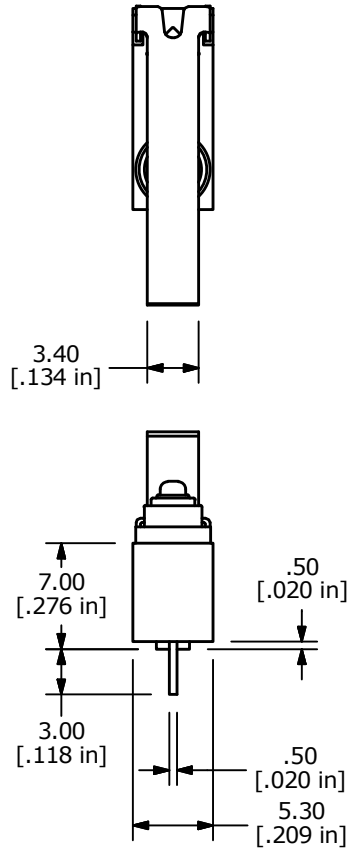
OPERATING POINT CHART		
ACTUATOR STYLE	FREE POINT	OPERATING POINT
00	11.5mm Max.	10.5±0.3mm
01	15.5mm Max.	13.3±0.8mm
02	16.0mm Max.	14.8±0.8mm

NOTE: FOR WIRE LEAD TERMINATION MODELS, THE FREE POINT AND OPERATING POINT WOULD BE MEASURED FROM THE MOUNTING BOSSES. THIS WILL REDUCE THE ABOVE LISTED VALUES BY 4MM'S



WS SERIES SNAP ACTION SWITCH

PCB PIN TERMINALS

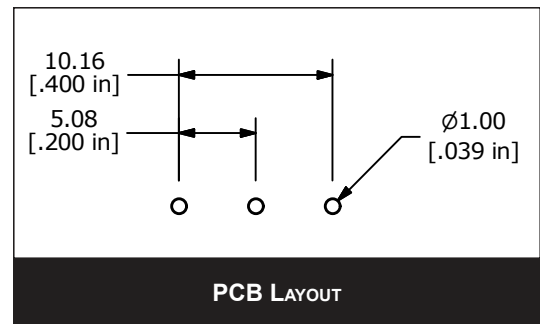


NOTE: ACTUATION BELOW THE 11.8mm ACTUATION LIMIT MAY CAUSE DAMAGE TO THE INTERNAL CONTACTS.

PCB TERMINALS WITH 01 LEVER

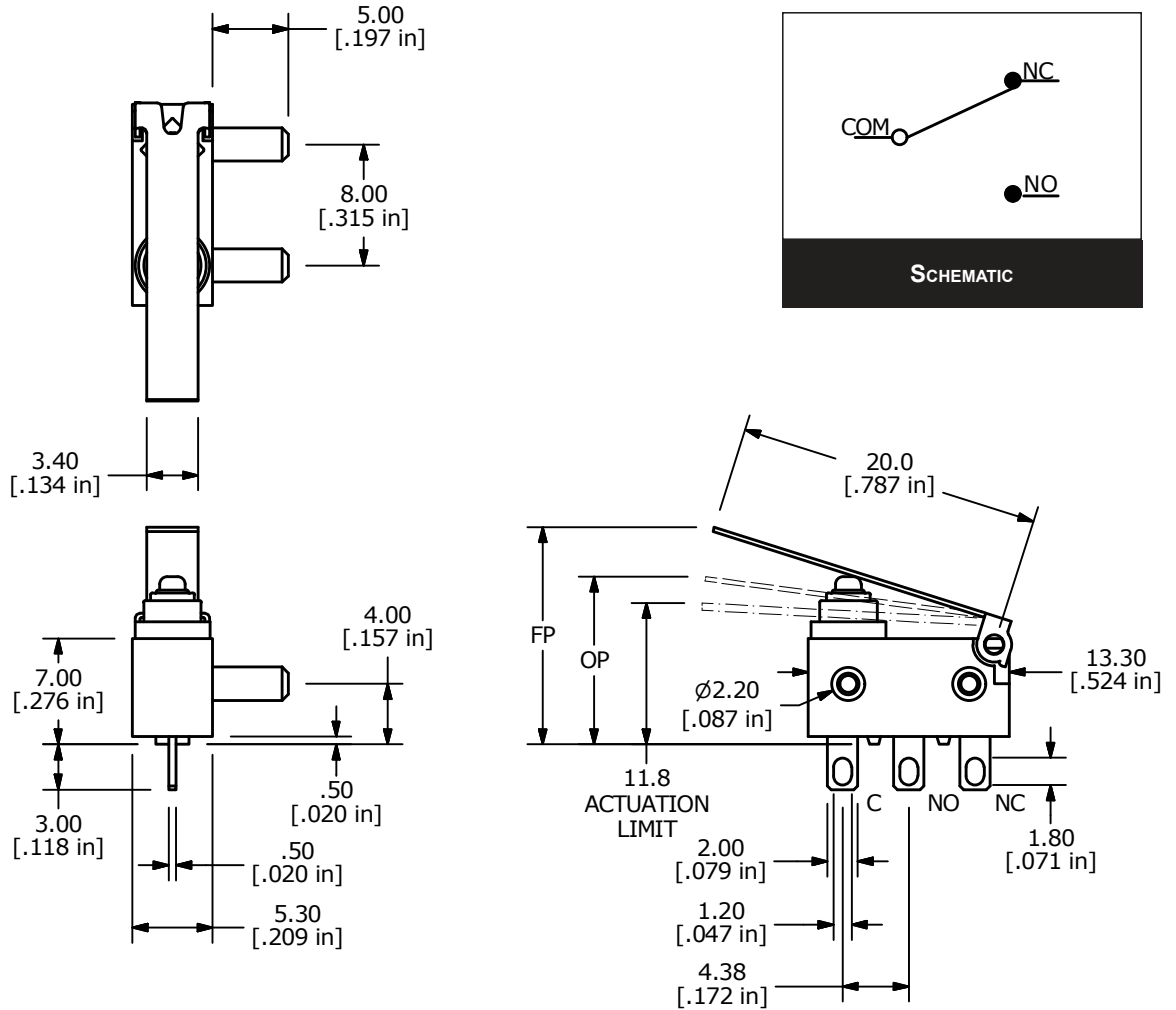
OPERATING POINT CHART		
ACTUATOR STYLE	FREE POINT	OPERATING POINT
00	11.5mm Max.	10.5±0.3mm
01	15.5mm Max.	13.3±0.8mm
02	16.0mm Max.	14.8±0.8mm

NOTE: FOR WIRE LEAD TERMINATION MODELS, THE FREE POINT AND OPERATING POINT WOULD BE MEASURED FROM THE MOUNTING BOSSES. THIS WILL REDUCE THE ABOVE LISTED VALUES BY 4MM'S



WS SERIES SNAP ACTION SWITCH

SOLDER LUG TERMINALS



NOTE: ACTUATION BELOW THE 11.8mm ACTUATION LIMIT MAY CAUSE DAMAGE TO THE INTERNAL CONTACTS.

SOLDER LUG TERMINALS WITH 01 LEVER

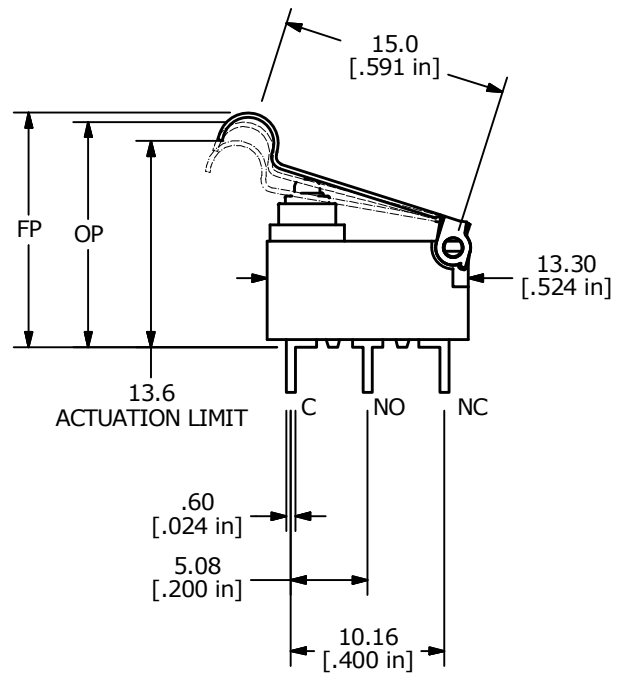
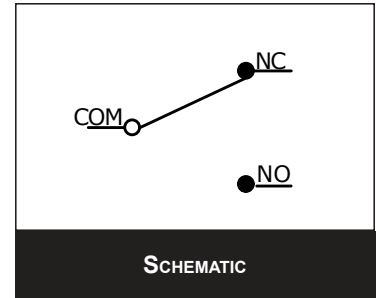
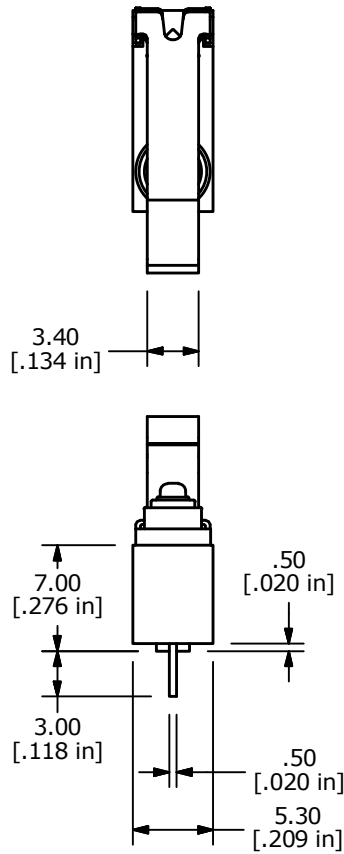
OPERATING POINT CHART		
ACTUATOR STYLE	FREE POINT	OPERATING POINT
00	11.5mm Max.	10.5±0.3mm
01	15.5mm Max.	13.3±0.8mm
02	16.0mm Max.	14.8±0.8mm

NOTE: FOR WIRE LEAD TERMINATION MODELS, THE FREE POINT AND OPERATING POINT WOULD BE MEASURED FROM THE MOUNTING BOSSES. THIS WILL REDUCE THE ABOVE LISTED VALUES BY 4MM'S



WS SERIES SNAP ACTION SWITCH

PCB PIN TERMINALS

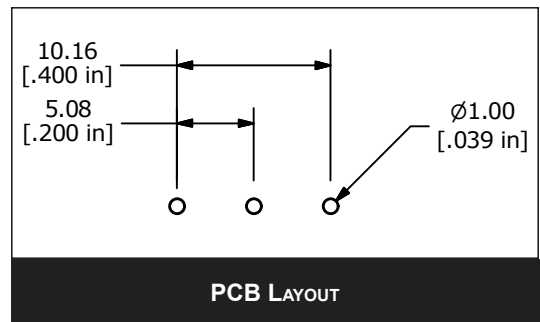


NOTE: ACTUATION BELOW THE 13.6mm ACTUATION LIMIT MAY CAUSE DAMAGE TO THE INTERNAL CONTACTS.

PCB TERMINALS WITH 02 LEVER

OPERATING POINT CHART		
ACTUATOR STYLE	FREE POINT	OPERATING POINT
00	11.5mm Max.	10.5±0.3mm
01	15.5mm Max.	13.3±0.8mm
02	16.0mm Max.	14.8±0.8mm

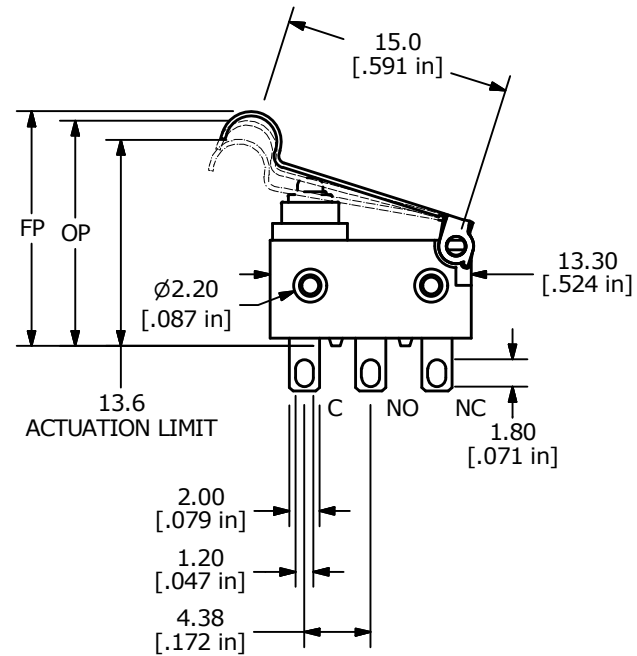
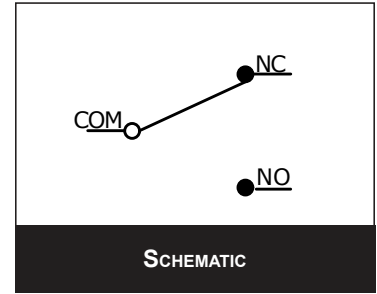
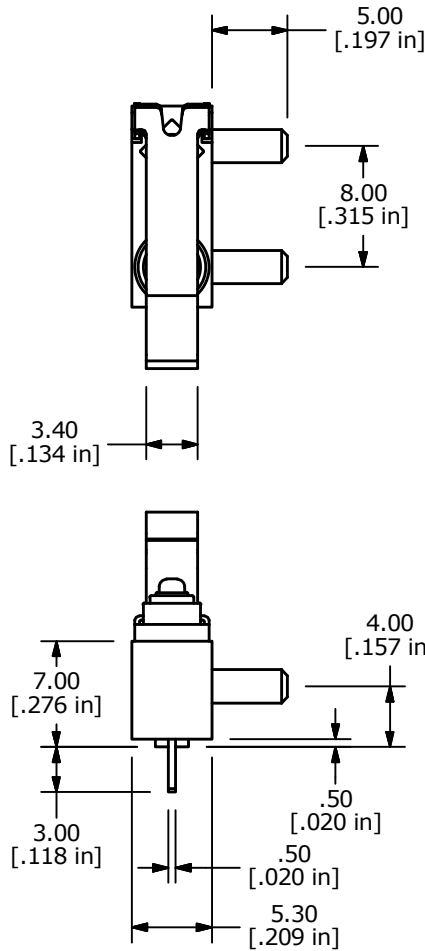
NOTE: FOR WIRE LEAD TERMINATION MODELS, THE FREE POINT AND OPERATING POINT WOULD BE MEASURED FROM THE MOUNTING BOSSES. THIS WILL REDUCE THE ABOVE LISTED VALUES BY 4MM'S



ANTI-VANDAL SWITCHES
DETECTOR SWITCHES
DIP SWITCHES
KEYLOCK SWITCHES
NAVIGATION SWITCHES
PUSHBUTTON SWITCHES
ROCKER SWITCHES
ROTARY SWITCHES
SLIDE SWITCHES
SNAP ACTION SWITCHES
TACTILE SWITCHES
TOGGLE SWITCHES
CAP OPTIONS

WS SERIES SNAP ACTION SWITCH

SOLDER LUG TERMINALS



NOTE: ACTUATION BELOW THE 13.6mm ACTUATION LIMIT MAY CAUSE DAMAGE TO THE INTERNAL CONTACTS.

SOLDER LUG TERMINALS WITH 02 LEVER

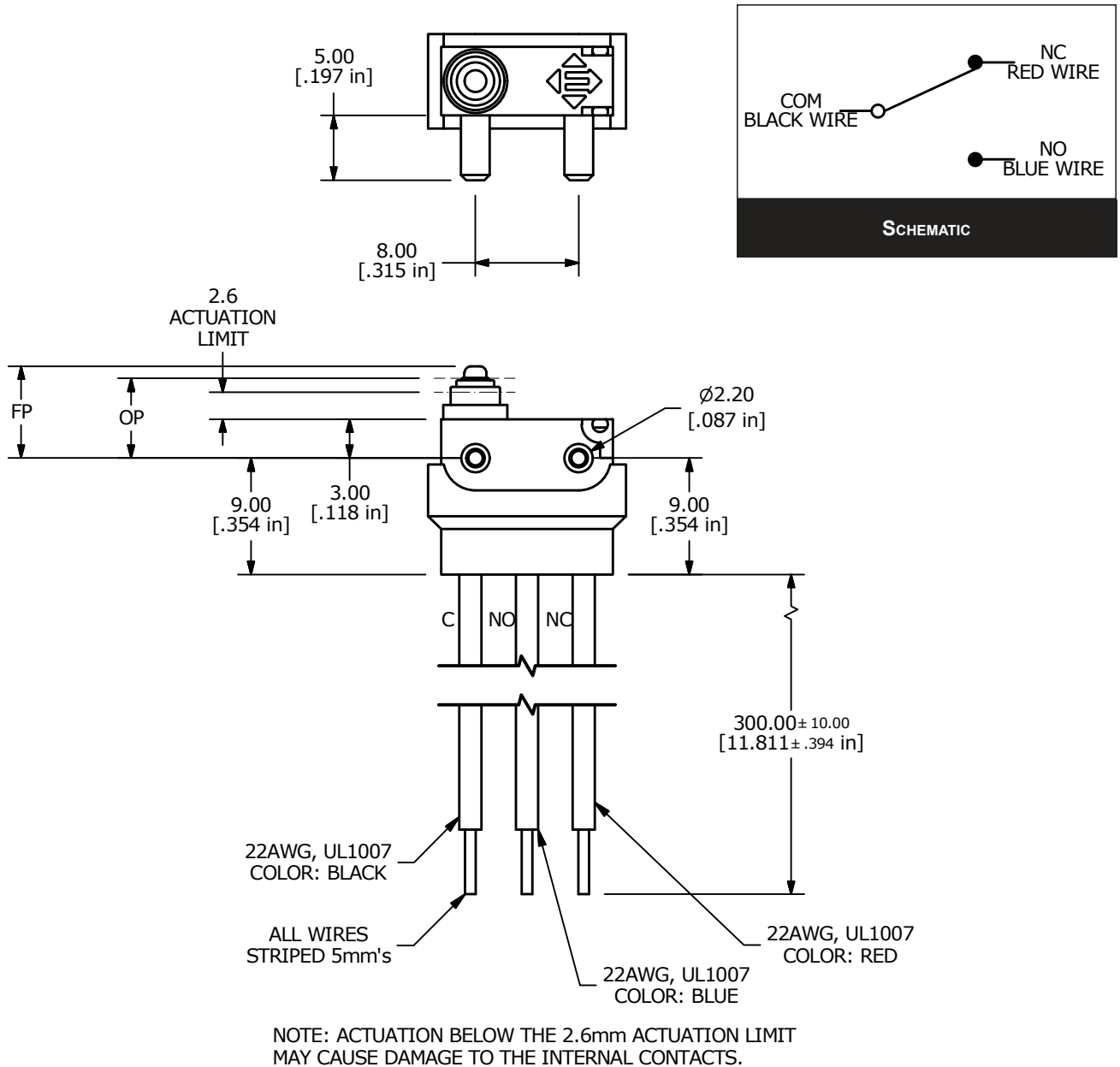
OPERATING POINT CHART		
ACTUATOR STYLE	FREE POINT	OPERATING POINT
00	11.5mm Max.	10.5±0.3mm
01	15.5mm Max.	13.3±0.8mm
02	16.0mm Max.	14.8±0.8mm

NOTE: FOR WIRE LEAD TERMINATION MODELS, THE FREE POINT AND OPERATING POINT WOULD BE MEASURED FROM THE MOUNTING BOSSES. THIS WILL REDUCE THE ABOVE LISTED VALUES BY 4MM'S



WS SERIES SNAP ACTION SWITCH

WIRE LEADS



OPERATING POINT CHART		
ACTUATOR STYLE	FREE POINT	OPERATING POINT
00	6.5mm Max.	7.5±0.3mm
01	11.5mm Max.	9.3±0.8mm
02	12.0mm Max.	10.8±0.8mm

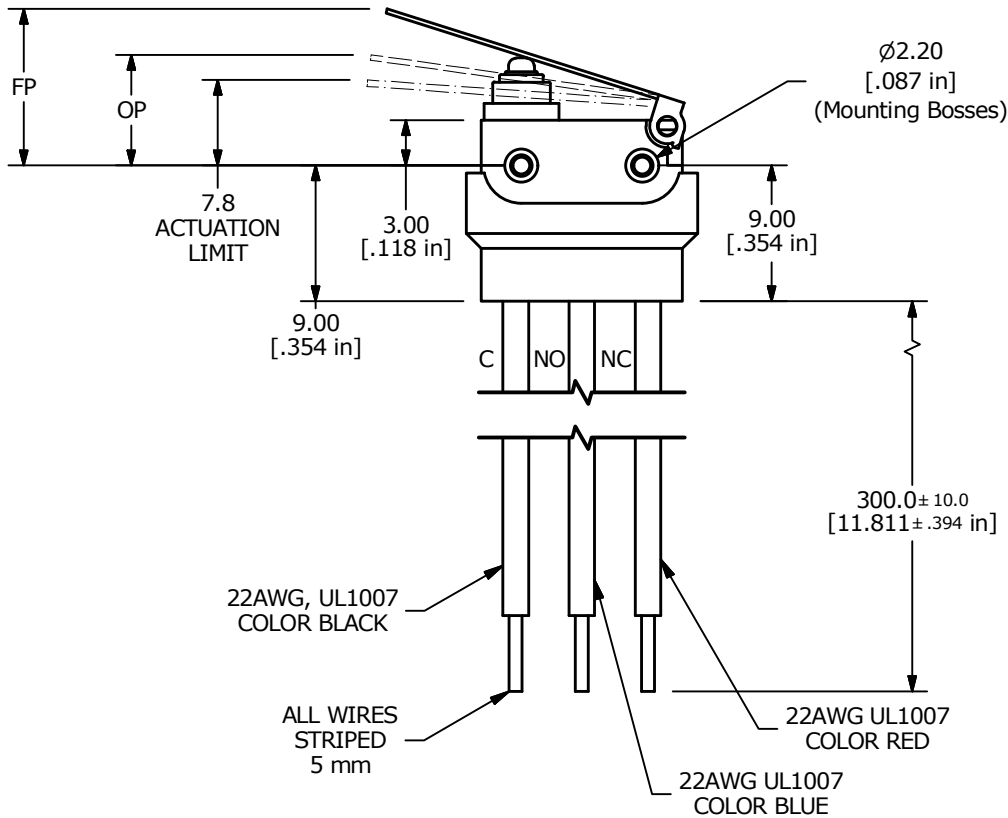
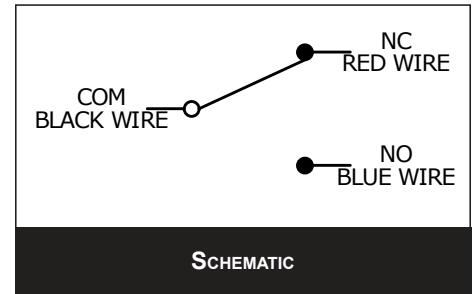
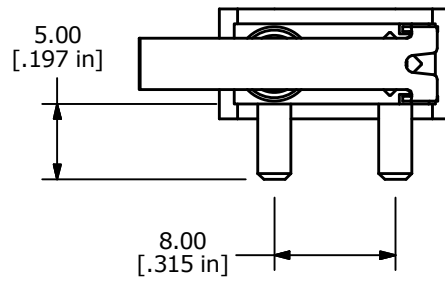
NOTE: FOR WIRE LEAD TERMINATION MODELS, THE FREE POINT AND OPERATING POINT WOULD BE MEASURED FROM THE MOUNTING BOSSES. THIS WILL REDUCE THE ABOVE LISTED VALUES BY 4MM'S

WIRE LEADS
WITH 00 PIN PLUNGER



WS SERIES SNAP ACTION SWITCH

WIRE LEADS



NOTE: ACTUATION BELOW THE 7.8mm ACTUATION LIMIT MAY CAUSE DAMAGE TO THE INTERNAL CONTACTS.

OPERATING POINT CHART

ACTUATOR STYLE	FREE POINT	OPERATING POINT
00	6.5mm Max.	7.5±0.3mm
01	11.5mm Max.	9.3±0.8mm
02	12.0mm Max.	10.8±0.8mm

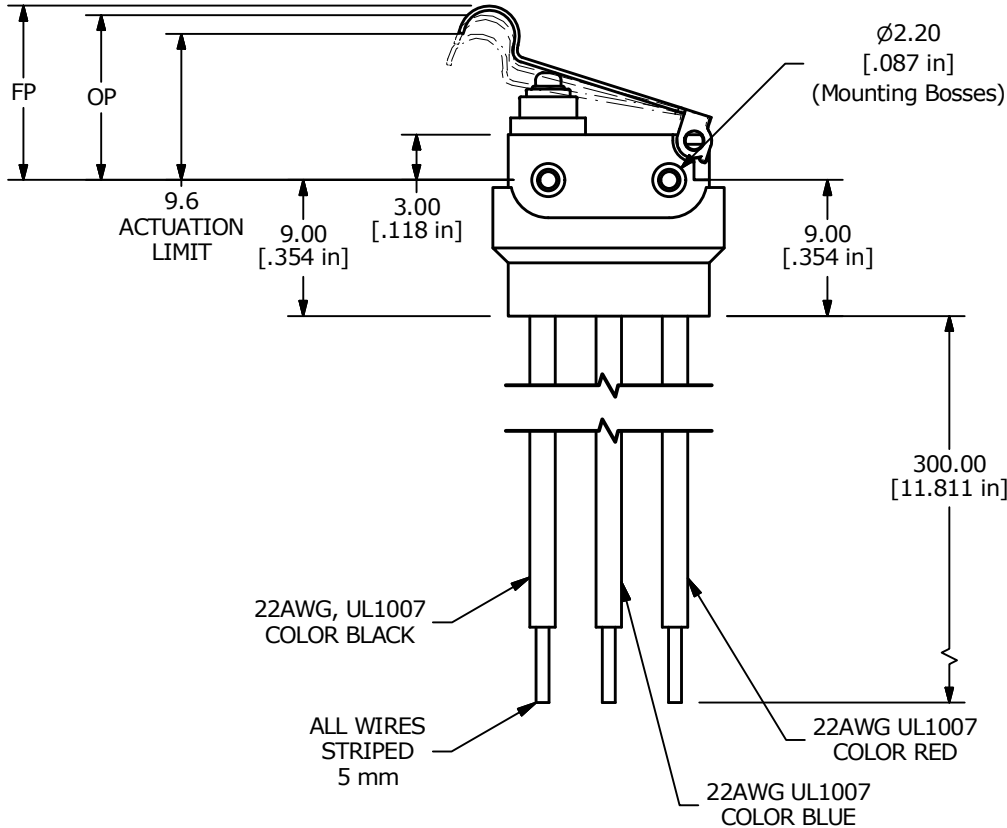
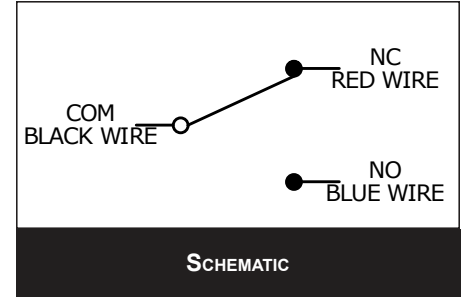
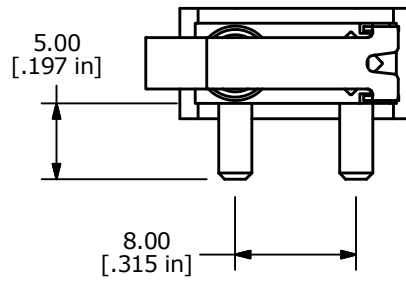
NOTE: FOR WIRE LEAD TERMINATION MODELS, THE FREE POINT AND OPERATING POINT WOULD BE MEASURED FROM THE MOUNTING BOSSES. THIS WILL REDUCE THE ABOVE LISTED VALUES BY 4MM'S

**WIRE LEADS
WITH 01 LEVER**



WS SERIES SNAP ACTION SWITCH

WIRE LEADS



NOTE: ACTUATION BELOW THE 9.6mm ACTUATION LIMIT MAY CAUSE DAMAGE TO THE INTERNAL CONTACTS.

OPERATING POINT CHART		
ACTUATOR STYLE	FREE POINT	OPERATING POINT
00	6.5mm Max.	7.5±0.3mm
01	11.5mm Max.	9.3±0.8mm
02	12.0mm Max.	10.8±0.8mm

NOTE: FOR WIRE LEAD TERMINATION MODELS, THE FREE POINT AND OPERATING POINT WOULD BE MEASURED FROM THE MOUNTING BOSSES. THIS WILL REDUCE THE ABOVE LISTED VALUES BY 4MM'S

WIRE LEADS
WITH 02 SIMULATED LEVER



ANTI-VANDAL SWITCHES
DETECTOR SWITCHES
DIP SWITCHES
KEYLOCK SWITCHES
NAVIGATION SWITCHES
PUSHBUTTON SWITCHES
ROCKER SWITCHES
ROTARY SWITCHES
SLIDE SWITCHES
SNAP ACTION SWITCHES
TACTILE SWITCHES
TOGGLE SWITCHES
CAP OPTIONS