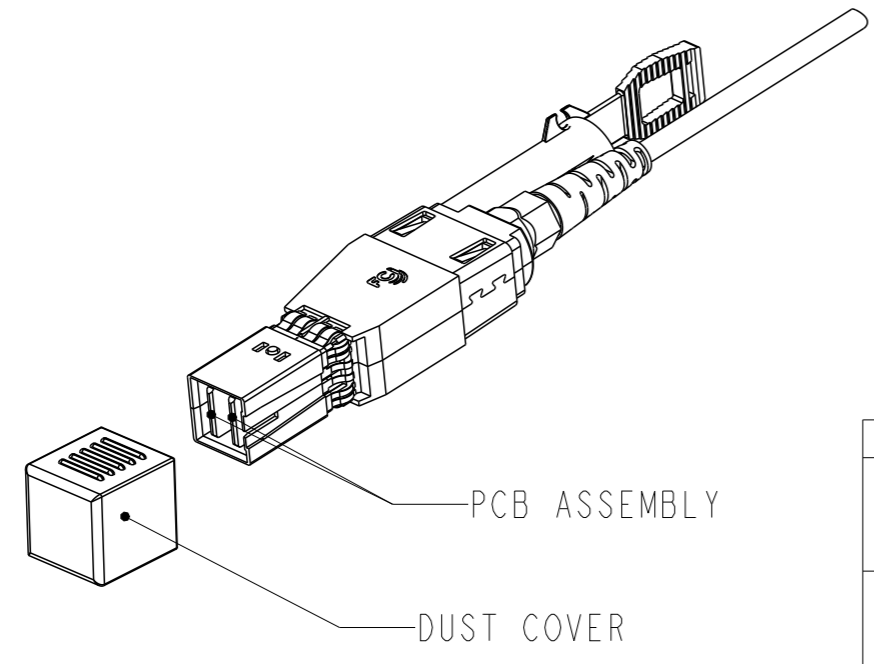
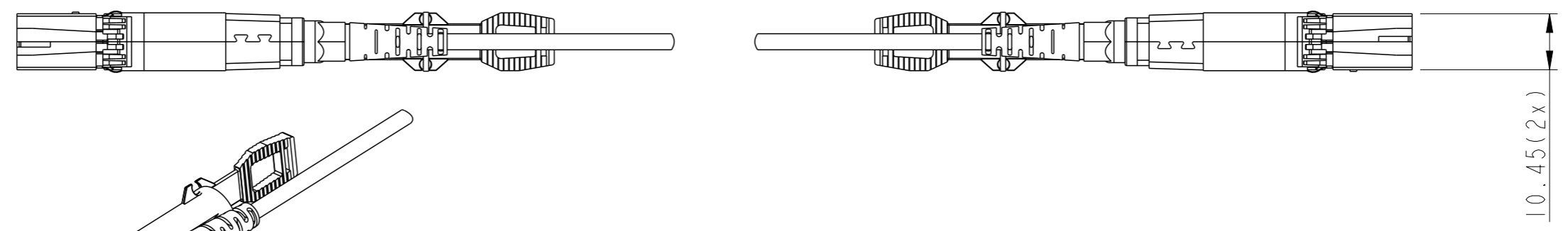
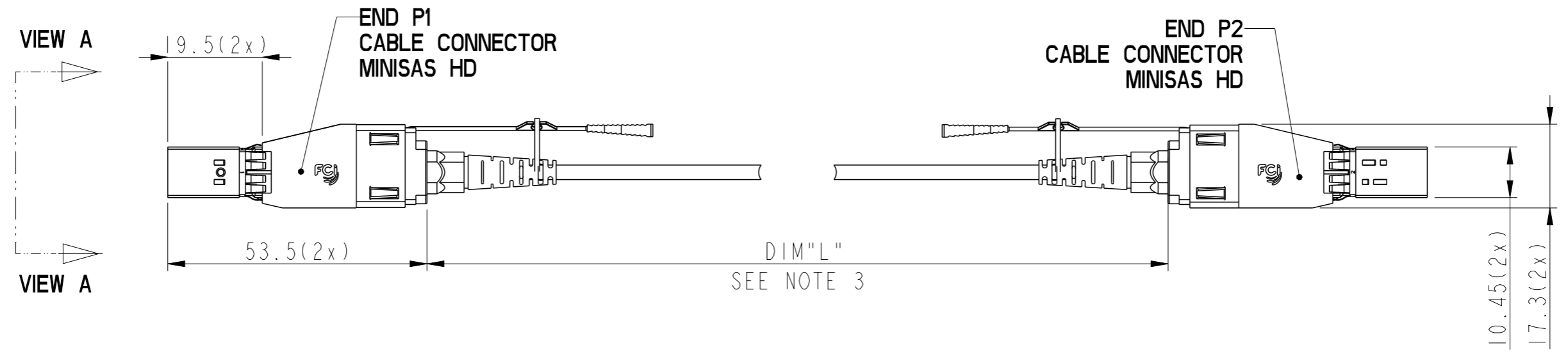


PRODUCT NUMBER	DESCRIPTION
10123196-200LXXX	STRAIGHT BOOT

PRODUCT NUMBER DESCRIPTION:

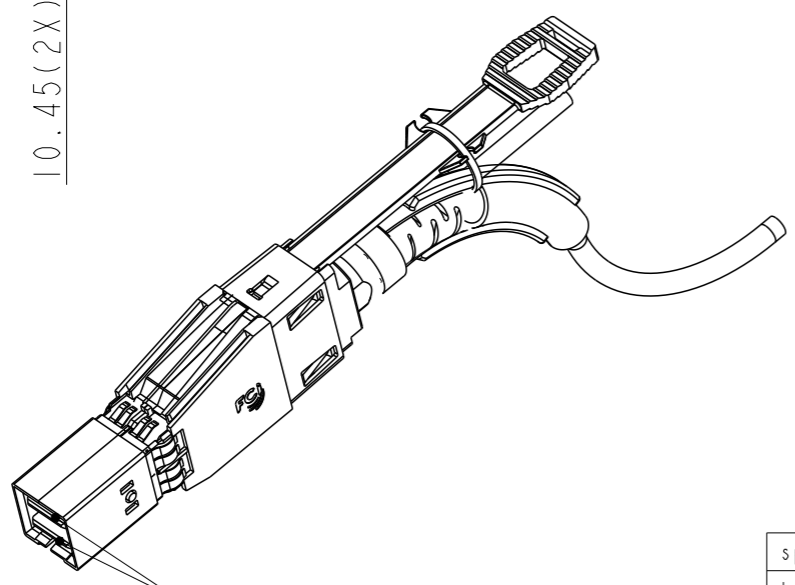
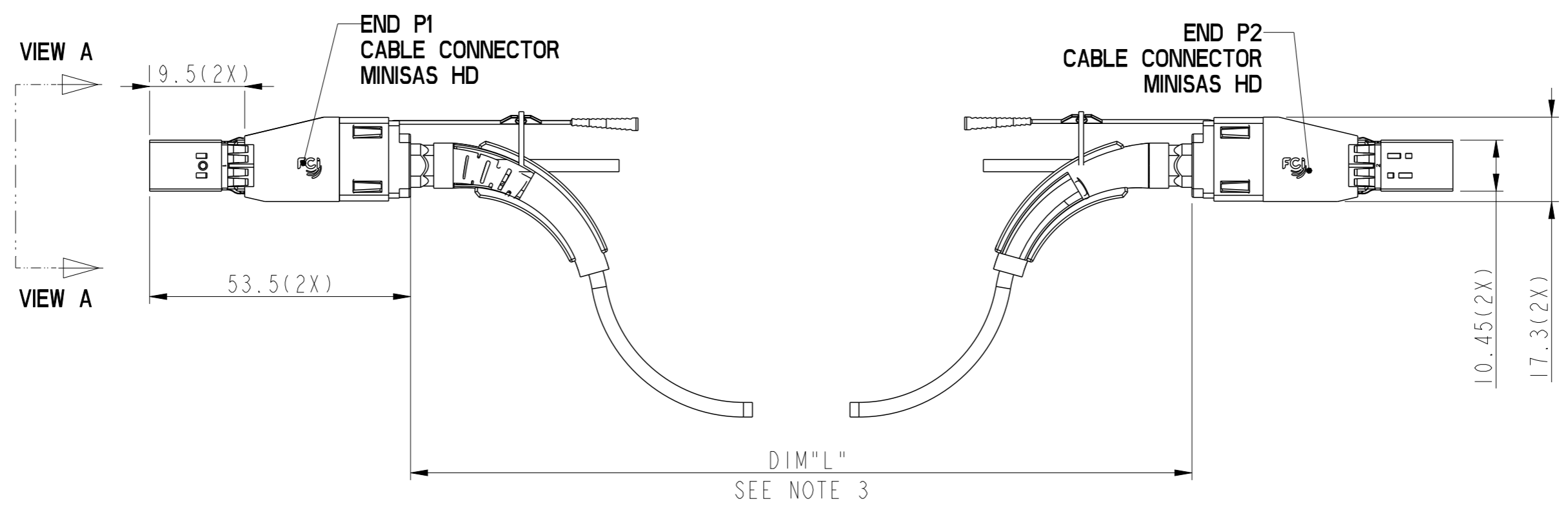
10123196-200LXXX

LENGTH
 XXX= METERS
 EXAMPLE:005 = 5 METERS (DIM "L")
 100 = 100 METERS (DIM "L")
 L=LOW SMOKE ZERO HALOGEN JACKET
 S=STANDARD JACKET FIBER (OFNP).
 0=STRAIGHT BOOT EXIT
 1=RIGHT ANGLE BOOT EXIT
 TYPE OF FIBER
 2=OM2(LENGTH UP TO 20M)
 3=OM3(LENGTH LONGER THAN 20M)



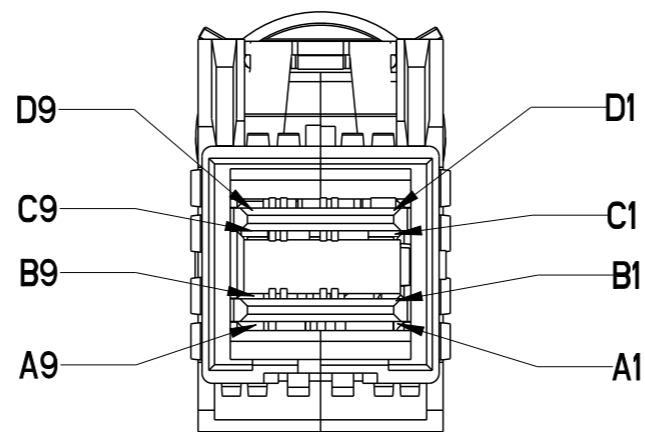
spec ref	-	dr	Sun Shine	2013/01/15	projection	mm	size	A3	scale	1:3												
tolerance std	ISO 406 ISO 1101	eng	Sun Shine	2014/01/06			ecn no	ELX-N-16563-1														
TOLERANCES UNLESS OTHERWISE SPECIFIED		chr	-	-			rel level	Released														
surface	<table border="1"> <tr> <td>linear</td> <td>0.X</td> <td>±0.3</td> </tr> <tr> <td></td> <td>0.XX</td> <td>±0.10</td> </tr> <tr> <td></td> <td>0.XXX</td> <td>±0.005</td> </tr> <tr> <td>angular</td> <td>0°</td> <td>±2°</td> </tr> </table>	linear	0.X	±0.3		0.XX	±0.10		0.XXX	±0.005	angular	0°	±2°	appr	Wei-Zhong Hu	2014/01/06	product family	-	rel level	Released		
linear	0.X	±0.3																				
	0.XX	±0.10																				
	0.XXX	±0.005																				
angular	0°	±2°																				
ISO 1302		www.fci.com	cat. no.	-	Product - Customer Drw	sheet 1 of 3	dwg no	10123196		rev	F											

PRODUCT NUMBER	DESCRIPTION
10123196-201LXXX	RIGHT ANGLE BOOT



Copyright FCI.

spec ref	-	dr	Sun Shine	2013/01/15	projection	mm	size	A3	scale	1:3		
tolerance std	ISO 406 ISO 1101	eng	Sun Shine	2014/01/06			ecn no	ELX-N-16563-1				
surface	✓	chr	-	-			rel level	Released				
		appr	Wei-Zhong Hu	2014/01/06	product family	-	rel level	Released				
		linear	0.X	±0.3		title MINISAS HD AOC	dwg no 10123196	rev		F		
			0.XX	±0.10				cat. no.		-	Product - Customer Drw	
		angular	0°	±2°				www.fci.com		sheet 2 of 3		



VIEW A-A
PIN ASSIGNMENTS

EDGE CONNECTOR PAD DESCRIPTION			
POSITION	SYMBOL	POSITION	SYMBOL
D9	GROUND	B9	GROUND
D8	Tx2-	B8	Rx2-
D7	Tx2+	B7	Rx2+
D6	GROUND	B6	GROUND
D5	Tx0-	B5	Rx0-
D4	Tx0+	B4	Rx0+
D3	GROUND	B3	GROUND
D2	Vman	B2	ModPrs l
D1	Vact	B1	Vact
C1	SCL	A1	Reserved
C2	SDA	A2	Int l
C3	GROUND	A3	GROUND
C4	Tx1+	A4	Rx1+
C5	Tx1-	A5	Rx1-
C6	GROUND	A6	GROUND
C7	Tx3+	A7	Rx3+
C8	Tx3-	A8	Rx3-
C9	GROUND	A9	GROUND

NOTES:

- MATERIAL:
COVERS : ZINC ALLOY/ COPPER UNDERPLATE/ NICKEL OVERPLATE
PULL TAB: THERMOPLASTIC POLYMER
LATCH : STAINLESS STEEL
EMI SKIRT: STAINLESS STEEL
STRAIN RELIEF BOOT : THERMOPLASTIC
PADDLE CARD: PRINTED CIRCUIT SUBSTRATE-FR4
DUST COVER : POLY ETHYLENE
- THIS PRODUCT MEETS THE RESTRICTION OF HAZARDOUS SUBSTANCES IN ELECTRICAL AND ELECTRONIC EQUIPMENT (RoHS).DIRECTIVE 2002/95/EC.
- THIS DIMENSION IS A FINISHED PRODUCT LENGTH.
- A "△" SYMBOL WILL BE NEXT TO ANY DIMENSION, VIEW, OR NOTE WHICH HAS BEEN MODIFIED WITH THE CURRENT DRAWING REVISION. THE CURRENT REVISION WILL BE SHOWN IN THE SYMBOL.
- REFERENCE TO PRODUCT SPECIFICATION GS-12-1122

spec ref	-	dr	Sun Shine	2013/01/15	projection	mm	size	A3	scale	1:3
tolerance std	ISO 406 ISO 1101	eng	Sun Shine	2014/01/06			ecn no	ELX-N-16563-1	rel level	Released
TOLERANCES UNLESS OTHERWISE SPECIFIED		chr	-	-						
surface	ISO 1302	appr	Wei-Zhong Hu	2014/01/06	product family	-	rel level	Released		
	linear	0.X	±0.3		title MINISAS HD AOC	dwg no 10123196	rev F			
		0.XX	±0.10							
		0.XXX	±0.005							
	angular	0°	±2°	www.fci.com	cat. no.	-	Product - Customer Drw	sheet 3 of 3		