

Type PMC-DS-05-SOR (formerly PDC-02)
Panel Mount Fuse Holder
5 x 20 mm Fuses
Driver / Screw



www.optifuse.com (619) 593-5050

Electrical Rating: 10A, 250V AC

Fuse Style: 5 x 20mm

Material:

Frame and Cap: Phenolic (UL flame: 94V-2)

Terminals: Tin-plated brass

Cap: Slotted Driver type, Screw type

Mounting: by nut

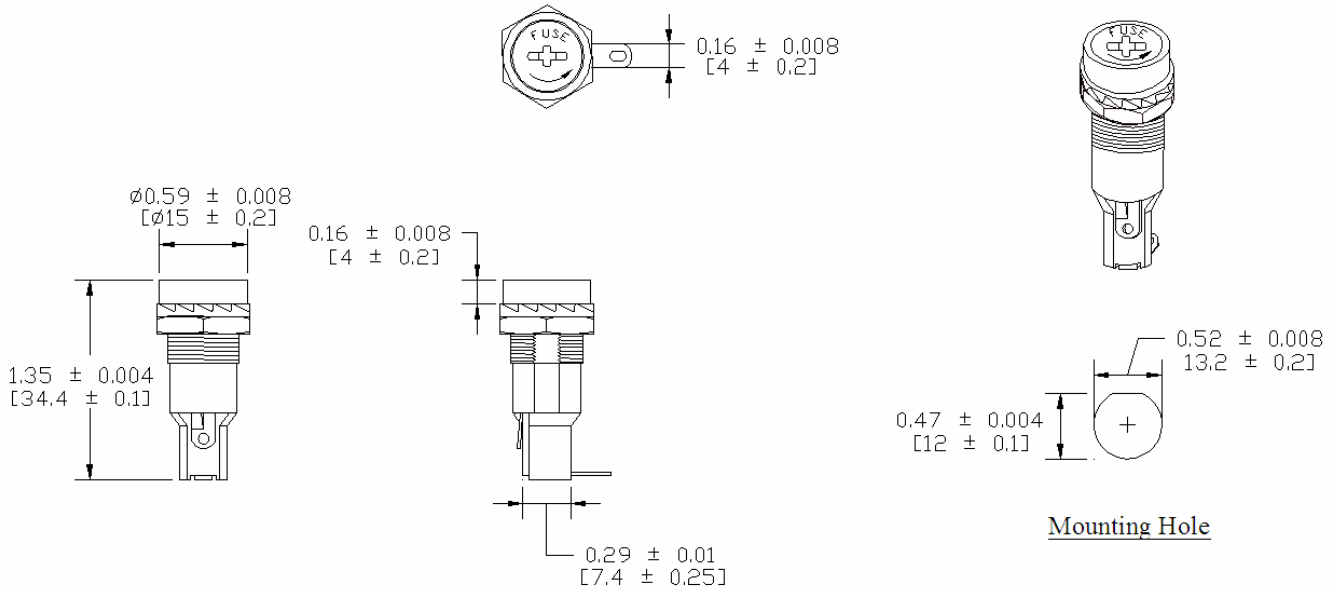
Terminal: Solder 4.00mm / 0.156"


Panel Thickness: 4.5mm MAX

Agency Standards and Listings:



Product Dimensions: Inches [mm]



<p>Warning:</p> 	<ul style="list-style-type: none"> -Operation beyond the specified maximum ratings or improper use may result in damage and possible electrical arcing and/or flame. -Fuse Holders are not intended for circuit disconnect. All power should be disconnected before removing fuse. -Avoid contact of Fuse Holder with chemical solvent. Prolonged contact may damage the device performance.
--	---