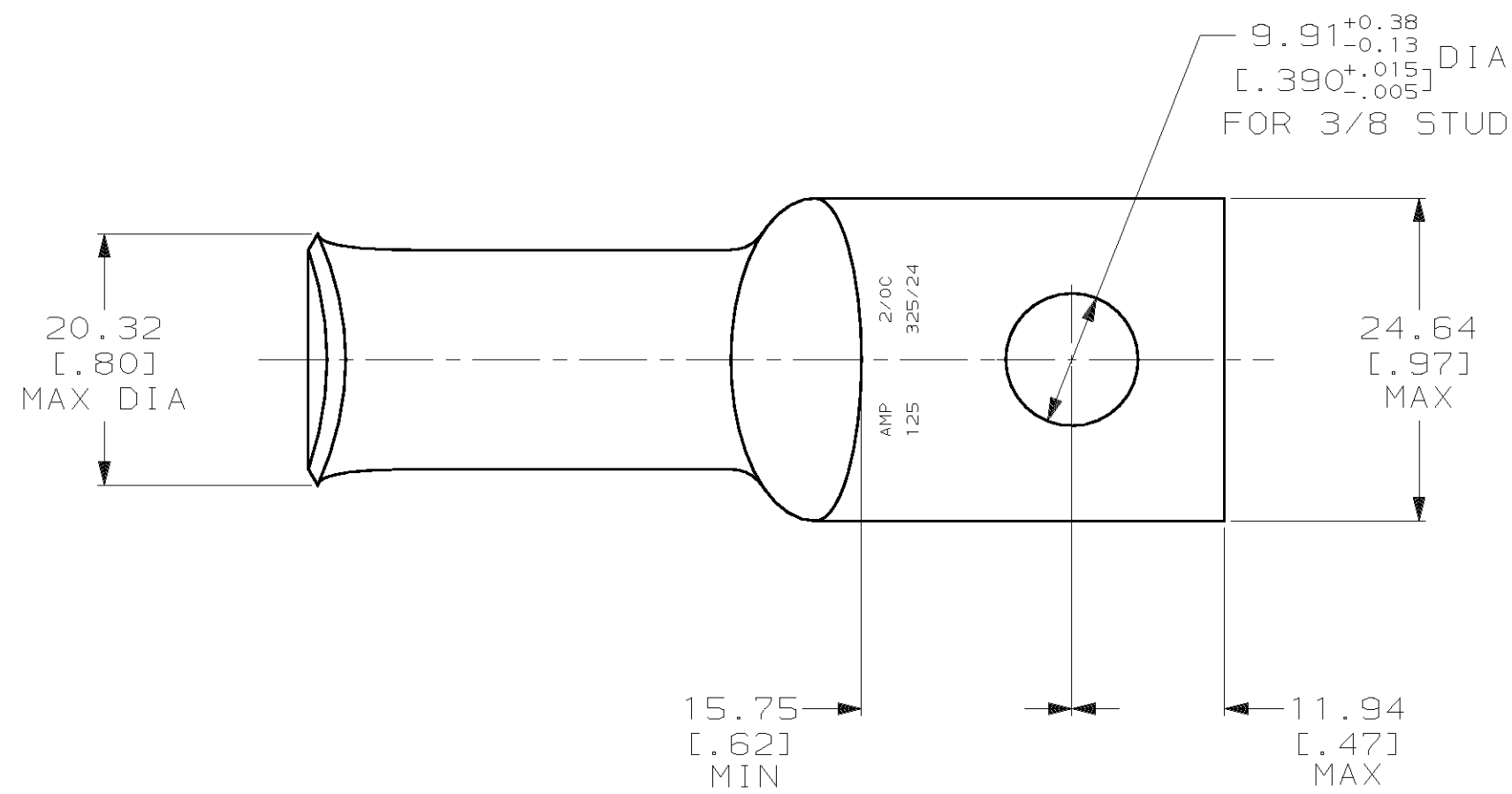
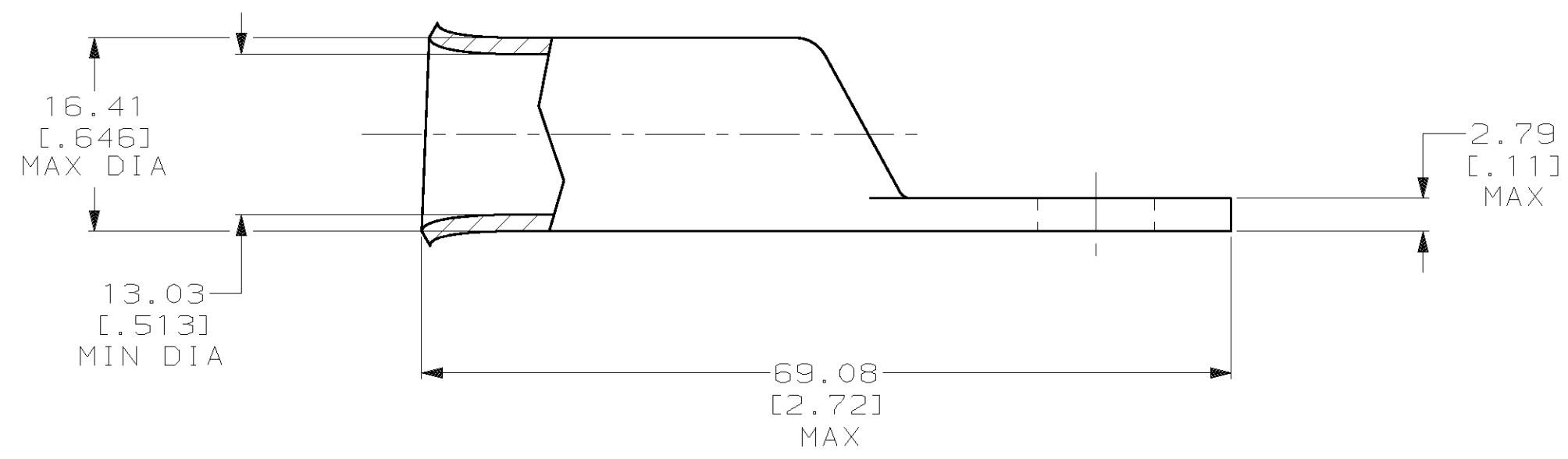


THIS DRAWING IS UNPUBLISHED. RELEASED FOR PUBLICATION, 19 .
 © COPYRIGHT 19 BY AMP INCORPORATED. ALL INTERNATIONAL RIGHTS RESERVED.

LOC		DIST		REVISIONS				DATE	APPD
ZONE	LTR	DESCRIPTION	DATE	APPD					
G	86			J	REV PER 063A-0561-01	07OCT02	MS		



- 1 CIRCULAR MIL RANGE: 119,500-150,500 CM
- 2 TIN PL 0.00381 [.000150] MIN THK PER MIL-T-10727



DO NOT SCALE PRINT. UNLESS SPECIFIED DIMENSIONS IN mm [INCHES] TOLERANCES ON : 2 PLC DEC ± 0.51 [.020] 3 PLC DEC ± - ANGLES ± -		DR 02/28/90 DK SCHRUM		325410	
MATERIAL ANNEALED COPPER ASTM B-75		CHK 17JAN95 MS FEHER		PART NO	
FINISH		APPD 17JAN95 WJ VOCKROTH		AMP AMP INCORPORATED Harrisburg, Pa. 17105	
APPLICATION SPEC -		APPD 17JAN95 TL SHUTTER		NAME	
WEIGHT .072 LB		PRODUCT SPEC -		TERMINAL, AMPPOWER™ WIRE SIZE: 2/0 AWG	
SCALE 2:1		APPLICATION SPEC -		DRAWING NO 325410	
CAGE CODE 00779		SCALE 2:1		SHEET 1 OF 1	