

4

3

2

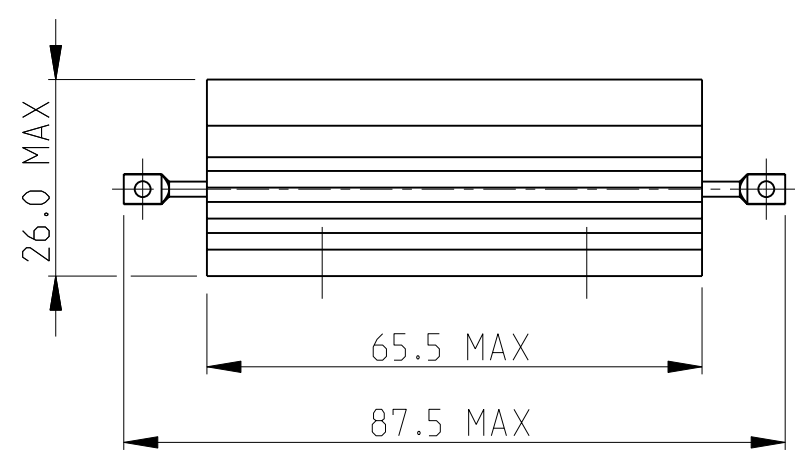
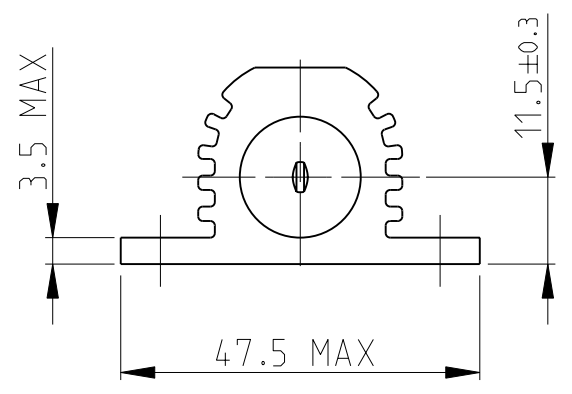
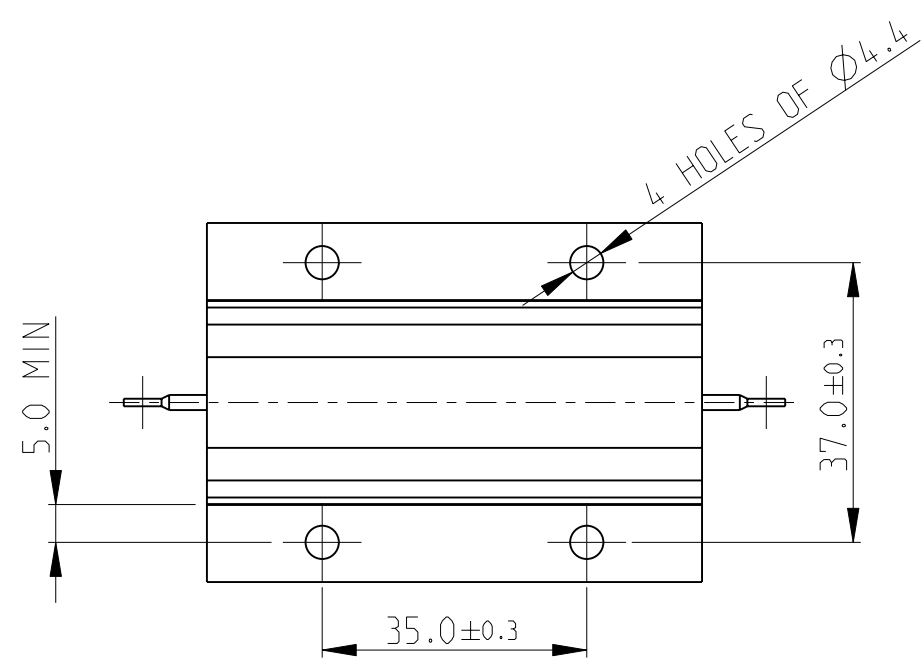
1

THIS DRAWING IS UNPUBLISHED. RELEASED FOR PUBLICATION SEP. 2005  
 © COPYRIGHT 2005 BY TYCO ELECTRONICS CORPORATION. ALL RIGHTS RESERVED.

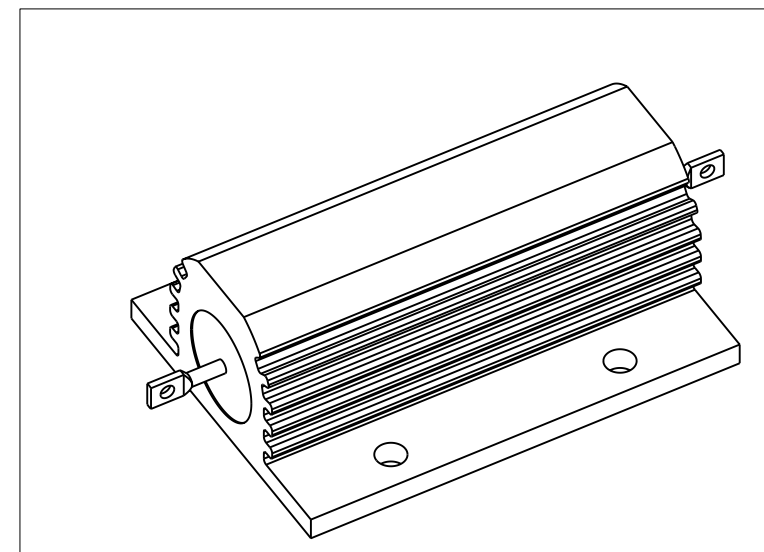
LOC	DIST	REVISIONS			
P	LTR	DESCRIPTION	DATE	DWN	APVD
E	B	A1	Released as per ECR-08-022292	4-Sep-08	SP JC

- FOR FURTHER INFORMATION SEE DATA SHEET FOR HS SERIES-ALUMINIUM HOUSED RESISTORS
- FOR A SPECIFIC PN FOR A RESISTANCE VALUE AND TOLERANCE, PLEASE REFER TO DMF
- TECHNICAL SPECIFICATION

DISSIPATION AT 25°C : 100 WATTS MOUNTED ON STD HEATSINK  
 OHMIC RANGE : R10 TO 75K  
 STABILITY : ΔR < =2% PER 1000Hrs  
 ISOLATION VOLTAGE : 3500V DC/AC pk  
 MAX WORKING VOLTAGE : 1900V DC/AC rms  
 TEMP COEFFICIENT : > 1R0 50ppm  
 > 100R 25ppm  
 CLIMATIC CATEGORY : 55/200/56



RoHS Compliant



THIS DRAWING IS A CONTROLLED DOCUMENT FOR TYCO ELECTRONICS CORPORATION IT IS SUBJECT TO CHANGE AND THE CONTROLLING ENGINEERING ORGANIZATION SHOULD BE CONTACTED FOR THE LATEST REVISION.		DWN DAVE KENNEDY 28.SEP.05	Tyco Electronics Corporation Dorcan, Swindon, SN3 5HH	
DIMENSIONS: mm		CHK J CATCHPOLE 28.SEP.05	NAME NHSC 100	
TOLERANCES UNLESS OTHERWISE SPECIFIED:		APVD J CATCHPOLE 28.SEP.05	RESTRICTED TO	
0 PLC ±0.5		PRODUCT SPEC -	SIZE A3	CAGE CODE 00779
1 PLC ±0.2		APPLICATION SPEC -	DRAWING NO C-1630001	SCALE 1:1
2 PLC ±0.1		WEIGHT -	SHEET 1 OF 1	REV A1
3 PLC ±		CUSTOMER DRAWING		
4 PLC ±				
ANGLES ±5°				
MATERIAL -				
FINISH -				