

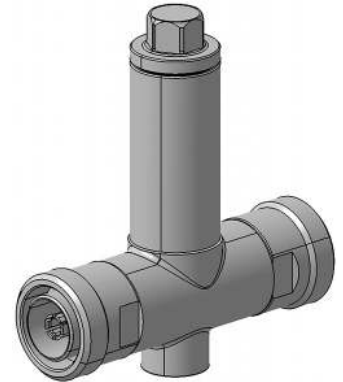
EMP Protector 3409.41.0051-EX

Description

High-power/low-IM GDT hybrid technology

Benefits

- Self-extinguishing Semper functionality
- AISG compliant for 2.176 MHz carrier
- Broad-band design
- DC continuity for remote powering
- The protector can also be installed reversely
- Replaceable GDT unit 9071.99.0748, (90V) included
- Compliant to IEC 61643-21



Product Configuration

Main path connectors Port 1: unprotected, 7/16 jack (female) - Port 2: protected, 7/16 jack (female)
 Mounting and grounding M8 (screw), brk (bracket)

Technical Data

Electrical Data

Impedance	50 Ω			
Frequency range	2.176 MHz	806 - 2500 MHz	806 - 960 MHz	1710 - 2500 MHz
Return loss	20 dB typ.	≥ 20.8 dB	≥ 26 dB	≥ 26 dB
Insertion loss	0.1 dB typ.	≤ 0.15 dB	≤ 0.15 dB	≤ 0.15 dB
RF CW power		≤ 1500 W	≤ 3000 W	≤ 1500 W
PIM 3rd order		-150 dBc typ.	-150 dBc typ.	-150 dBc typ.
DC supply voltage	≤ 48 V			
DC current	≤ 2.5 A			
Surge current handling capability	30 single / 20 multiple kA (test pulse 8/20 μs)			
Residual pulse energy	350 μJ typically (test pulse 4 kV 1.2/50 μs / 2 kA 8/20 μs) main path - protected side			
Turn-off time	20 s typically at 2.0 A and 25 °C ambient temperature < 40 s typically below 1 A and 25 °C ambient temperature			
Recovery time	7 s at 25 °C ambient temperature			

Mechanical Data

Number of matings	500
Weight	412 g

Environmental Data

Operating temperature	-40 °C to +85 °C (Lightning protection functionality) -20 °C to +85 °C (SEMPER™ functionality)
Waterproof degree	IP65 (according to IEC 60529, data refer to the coupled state)
2011/65/EU (RoHS - including 2015/863 and 2017/2102)	compliant acc. Annex III

Material Data

Piece Parts	Material	Surface Plating
Housing	Brass	SUCOPLATE (R) Plating
Port 1 center contact	Copper Beryllium Alloy	Silver Plating
Port 2 center contact	Copper Beryllium Alloy	Silver Plating

Related Documents

Outline drawing	DOU-00004588.1
Mounting instruction	DOC-0000176104