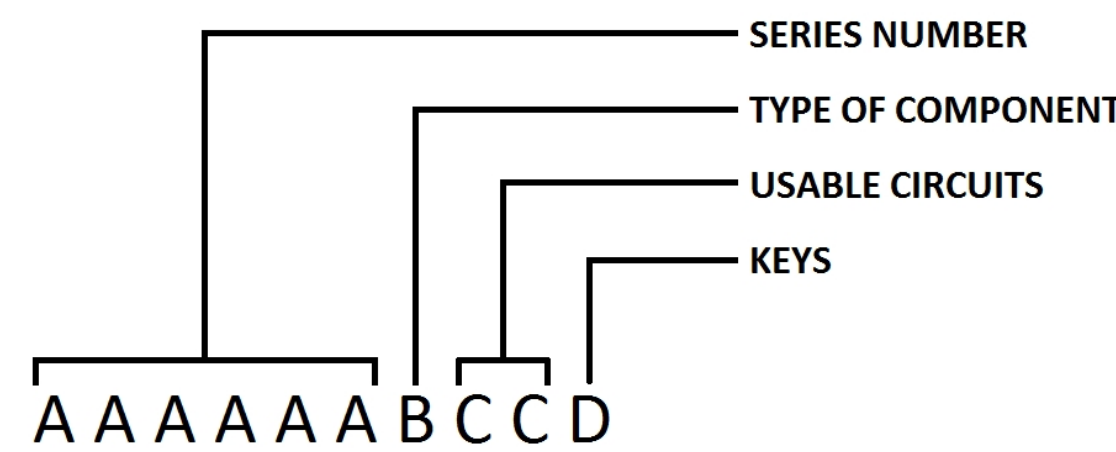


# CONNTAK50 DUAL ROW RIGHT ANGLE SMT HEADERS

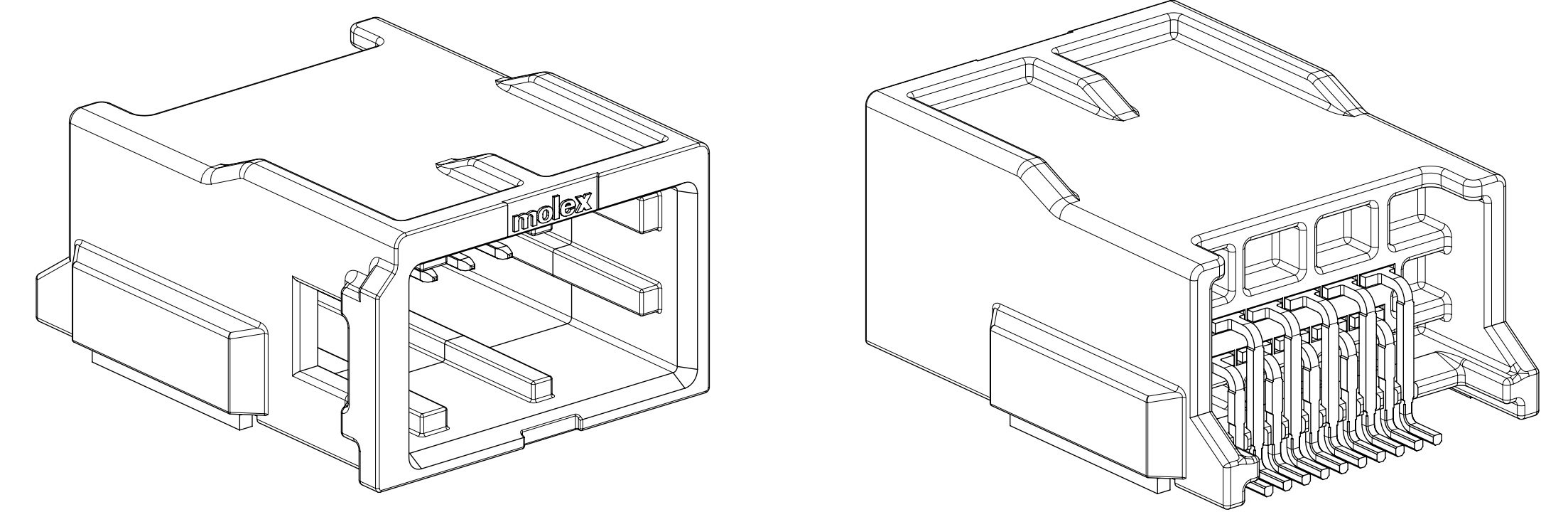
## 10CKT HEADER:



### PART NUMBER EXAMPLE:

PN 2069582101  
 206958 - SERIES NUMBER: DUAL ROW RIGHT ANGLE SMT HEADER - STANDARD PERF  
 2 - TYPE OF COMPONENT: STANDARD MATERIAL; FULLY POPULATED  
 10 - 10 USABLE CIRCUITS  
 1 - KEY A

FINAL PART: 10CKT DUAL ROW RIGHT ANGLE FULLY POPULATED STANDARD PERFORMANCE & MATERIAL SMT HEADER - KEY A



	SERIES NUMBERS (AAAAAA)	TYPE OF COMPONENT (B)	USABLE CIRCUITS (CC)	KEY (D)
MATING COMPONENT	205825 - DR TANG RECEPTACLE	2 - STD MATL; FULLY POPULATED	02 - 2 Circuits	1 - KEY A
	205826 - DR TANG RECEPTACLE WITH CPA	3 - V0 MATL; FULLY POPULATED	...	2 - KEY B
ON DRAWING	206958 - DR RIGHT ANGLE SMT HEADER - STANDARD PERF.	4 - STD MATL; LAST 2 CKTS UNPOPULATED / UNUSABLE	...	3 - KEY C
OTHER	206957 - DR VERTICAL SMT HEADER - STANDARD PERF.	5 - V0 MATL; LAST 2 CKTS UNPOPULATED / UNUSABLE	22 - 22 Circuits	4 - KEY D

INTERFACE	INTERFACE CKT SIZE	DIM A	DIM B	DIM C	DIM D	DIM E	DIM F	DIM G	POL	COLOR	STANDARD MATERIAL SMT HEADER		STATUS		
											FULLY POPULATED PART NUMBER	USABLE CKTS		2CKTS UNPOPULATED PART NUMBER	USABLE CKTS
	10	17.10	15.10	2.90	7.51	3.35	8.15	3.35	A	BLACK	2069582101	10	2069584081	8	AVAILABLE
									B	NATURAL	2069582102	10	2069584082	8	
									C	BLUE	2069582103	10	2069584083	8	
									D	VIOLET	2069582104	10	2069584084	8	
PERFORMANCE MARK: S															

INTERFACE	INTERFACE CKT SIZE	DIM A	DIM B	DIM C	DIM D	DIM E	DIM F	DIM G	POL	COLOR	V0 MATERIAL SMT HEADER		STATUS		
											FULLY POPULATED PART NUMBER	USABLE CKTS		2CKTS UNPOPULATED PART NUMBER	USABLE CKTS
	4	11.70	9.70	0.20	4.81	0.65	5.45	0.65	A	BLACK	2069583041	4	2069585021	2	INQUIRE FOR AVAILABILITY
									B	NATURAL	2069583042	4	2069585022	2	
									C	BLUE	2069583043	4	2069585023	2	
									D	VIOLET	2069583044	4	2069585024	2	
	6	13.50	11.50	1.10	5.71	1.55	6.35	1.55	A	BLACK	2069583061	6	2069585041	4	INQUIRE FOR AVAILABILITY
									B	NATURAL	2069583062	6	2069585042	4	
									C	BLUE	2069583063	6	2069585043	4	
									D	VIOLET	2069583064	6	2069585044	4	
	8	15.30	13.30	2.00	6.61	2.45	7.25	2.45	A	BLACK	2069583081	8	2069585061	6	INQUIRE FOR AVAILABILITY
									B	NATURAL	2069583082	8	2069585062	6	
									C	BLUE	2069583083	8	2069585063	6	
									D	VIOLET	2069583084	8	2069585064	6	
	10	17.10	15.10	2.90	7.51	3.35	8.15	3.35	A	BLACK	2069583101	10	2069585081	8	INQUIRE FOR AVAILABILITY
									B	NATURAL	2069583102	10	2069585082	8	
									C	BLUE	2069583103	10	2069585083	8	
									D	VIOLET	2069583104	10	2069585084	8	
	12	18.90	16.90	3.80	8.41	4.25	9.05	4.25	A	BLACK	2069583121	12	2069585101	10	INQUIRE FOR AVAILABILITY
									B	NATURAL	2069583122	12	2069585102	10	
									C	BLUE	2069583123	12	2069585103	10	
									D	VIOLET	2069583124	12	2069585104	10	
	14	20.70	18.70	4.70	9.31	5.15	9.95	5.15	A	BLACK	2069583141	14	2069585121	12	INQUIRE FOR AVAILABILITY
									B	NATURAL	2069583142	14	2069585122	12	
									C	BLUE	2069583143	14	2069585123	12	
									D	VIOLET	2069583144	14	2069585124	12	
	16	22.50	20.50	5.60	10.21	6.05	10.85	6.05	A	BLACK	2069583161	16	2069585141	14	INQUIRE FOR AVAILABILITY
									B	NATURAL	2069583162	16	2069585142	14	
									C	BLUE	2069583163	16	2069585143	14	
									D	VIOLET	2069583164	16	2069585144	14	
	18	24.30	22.30	6.50	11.11	6.95	11.75	6.95	A	BLACK	2069583181	18	2069585161	16	INQUIRE FOR AVAILABILITY
									B	NATURAL	2069583182	18	2069585162	16	
									C	BLUE	2069583183	18	2069585163	16	
									D	VIOLET	2069583184	18	2069585164	16	
	20	26.10	24.10	7.40	12.01	7.85	12.65	7.85	A	BLACK	2069583201	20	2069585181	18	INQUIRE FOR AVAILABILITY
									B	NATURAL	2069583202	20	2069585182	18	
									C	BLUE	2069583203	20	2069585183	18	
									D	VIOLET	2069583204	20	2069585184	18	
	22	27.90	25.90	8.30	12.91	8.75	13.55	8.75	A	BLACK	2069583221	22	2069585201	20	AVAILABLE
									B	NATURAL	2069583222	22	2069585202	20	
									C	BLUE	2069583223	22	2069585203	20	
									D	VIOLET	2069583224	22	2069585204	20	
PERFORMANCE MARK: S															

### NOTES:

VALID UNLESS OTHERWISE SPECIFIED

- GENERAL:
  - APPLICATION SPECIFICATION SEE: 2046310000-AS
  - PRODUCT SPECIFICATION SEE: 2046310000-PS
  - PACKAGING SPECIFICATION PER MOLEX DRAWING: 2069579000
    - PACKAGING IS TAPE & REEL
  - COMPATIBLE WITH STANDARD AK INTERFACE C-114-94000-20 REV A1
  - CONFORMS TO MOLEX AK INTERFACE 2046310002 REV A
    - MOLEX AK INTERFACE IS PART OF PPAP
  - INDICATED CIRCUITS DO NOT CONTAIN PINS IN DEPOPULATED HEADER VERSION
  - TRACEABILITY TO BE MARKED IN AREA SHOWN. MARK IS CODED AS FOLLOWS:
    - ROW 1 (XXXXXX):
      - "XXXXXX" IS MOLEX SMT HEADER SERIES NUMBER
    - ROW 2 (YYYY PZ):
      - "YYYY" IS PART SUFFIX (LAST 4 DIGITS OF PART NUMBER)
      - "P" IS PERFORMANCE MARK. SEE PART TABLE FOR MARKING CODE
      - "Z" IS ASSEMBLY LINE ("1" INDICATES ORIGINAL LINE, "2" IS FIRST CAPACITY LINE, ETC.)
    - ROW 3 (HHDDDDYY):
      - 1ST & 2ND DIGITS (HH): HOUR OF ASSEMBLY (EXAMPLE: 15:00 > '15'; 7:00 -> '07')
      - 3RD THRU 5TH DIGITS (DDD): JULIAN DATE (EXAMPLE: FEBRUARY 3RD -> '034')
      - 6TH & 7TH DIGITS (YY): LAST 2 DIGITS OF CALENDAR YEAR (EXAMPLE: 2013 -> '13')
- DESIGN - MATERIALS:
  - SHROUD (PLASTIC HOUSING):
    - STANDARD MATERIAL HOUSINGS: SPS-GF30%
    - V0 MATERIAL HOUSINGS: PA9T-GF30%
  - PINS:
    - STANDARD PERFORMANCE PINS:
      - BASE MATERIAL: C26000 BRASS
      - UNDERPLATING (CONTACT REGION): NICKEL 0.5 - 2.0 μm
      - OVERPLATING (CONTACT REGION): MATTE TIN 1.0 - 3.0 μm
- DESIGN - GEOMETRY:
  - GEOMETRIC DIMENSIONS AND TOLERANCES PER ASME Y14.5M-2009

INSPECTION BALLOON LOG	
PER DRAWING REVISION: D3	
TOTAL BALLOONS: 14	D3 CORRECTED DIM C DIMENSIONS
ADDED BALLOON NUMBERS:	D2 UPDATED TOLERANCE ON DIM 5 FROM (+0.05/-0.10) TO (+0.05/-0.15).
REMOVED BALLOON NUMBERS:	D1 UPDATED: BOM TABLE TO SAY NATURAL FOR POL B
	D ADDED V0 MATERIAL PART NUMBERS; UPDATED NOTE 2.1
	REV DESCRIPTION
THIS DRAWING CONTAINS INFORMATION THAT IS PROPRIETARY TO MOLEX ELECTRONIC TECHNOLOGIES, LLC AND SHOULD NOT BE USED WITHOUT WRITTEN PERMISSION	
DIMENSION UNITS: mm	SCALE: 5:1
GENERAL TOLERANCES (UNLESS SPECIFIED):	CURRENT REV DESC:
ANGULAR TOL ± °	EC NO: 678858
4 PLACES ±	DRWN: ECOLARUSSO 2021/09/23
3 PLACES ±	CHK'D: KHEWITT 2021/09/28
2 PLACES ±	APPR: JDUNAJ 2021/09/28
1 PLACE ±	INITIAL REVISION:
0 PLACES ±	DRWN: KHEWITT 2018/02/06
	APPR: JDUNAJ 2018/03/05
DRAFT WHERE APPLICABLE MUST REMAIN WITHIN DIMENSIONS	THIRD ANGLE PROJECTION
	DRAWING: D-SIZE
	SERIES: 204632
	MATERIAL NUMBER: SEE TABLE
	CUSTOMER: GENERAL MARKET
	SHEET NUMBER: 1 OF 2

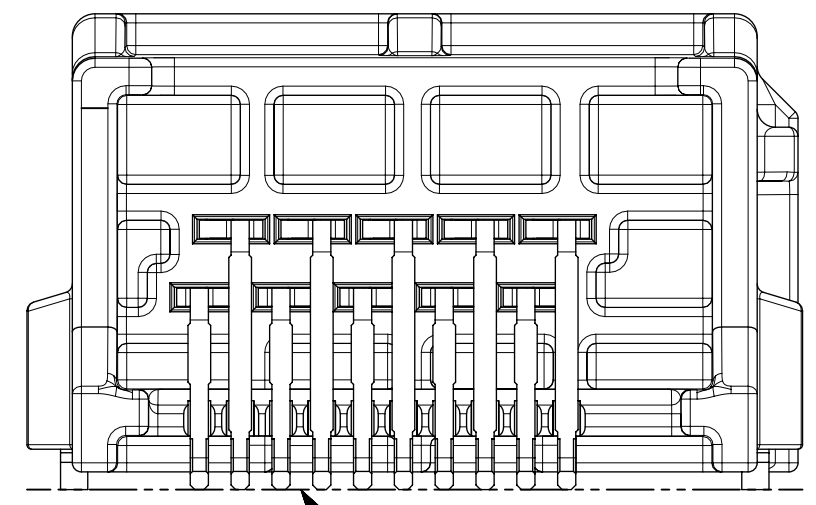


CONNTAK50 DR R/A SMT HEADER

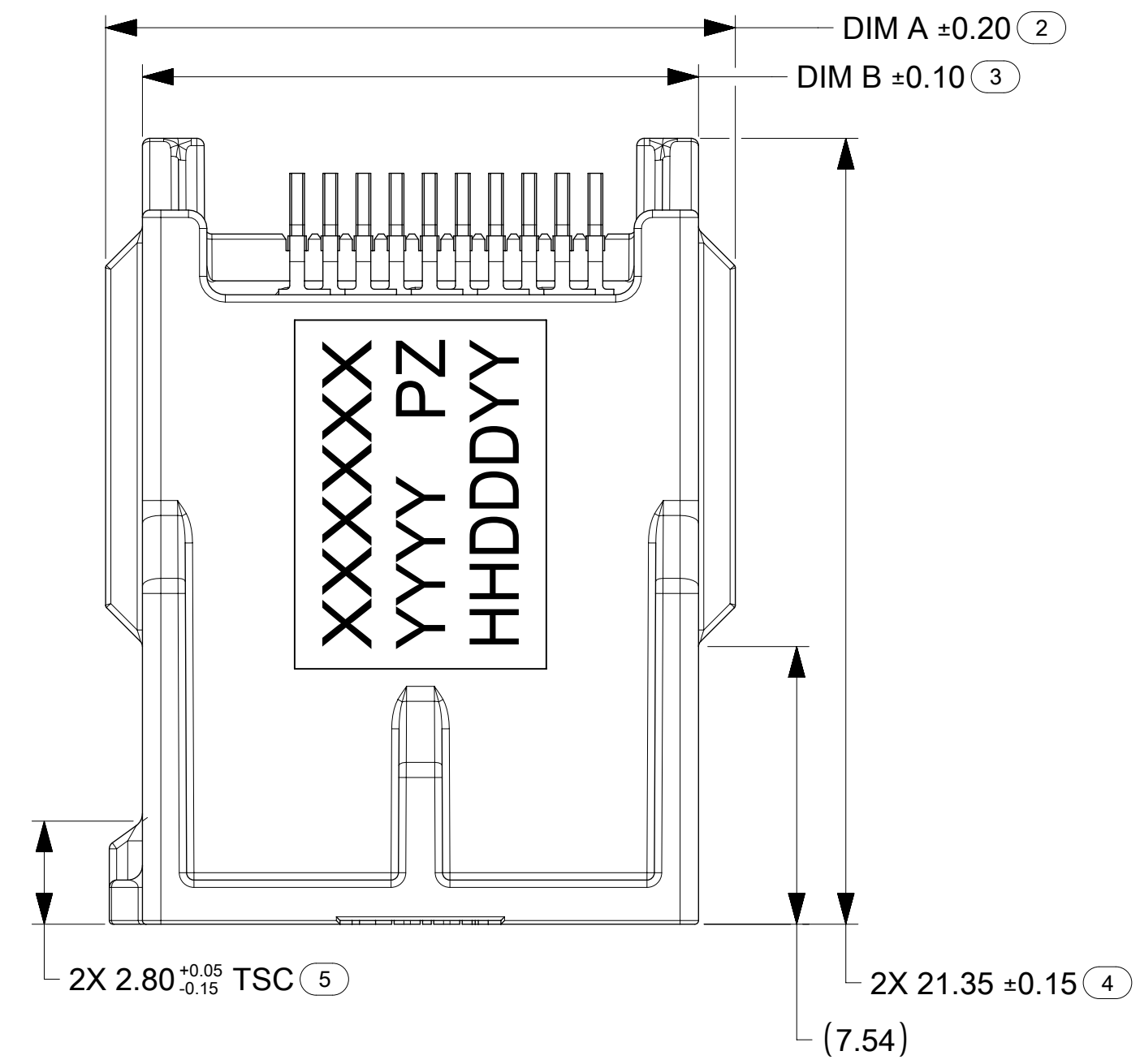
PRODUCT CUSTOMER DRAWING

DOCUMENT NUMBER	DOC TYPE	DOC PART	REVISION
2046320003	PSD	000	D3

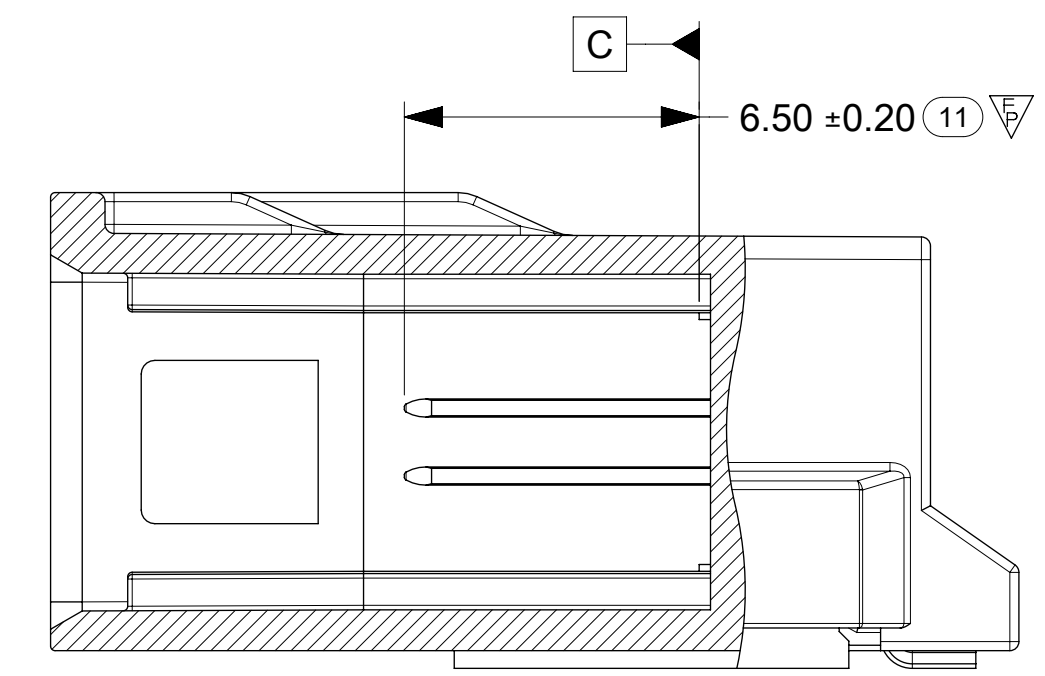
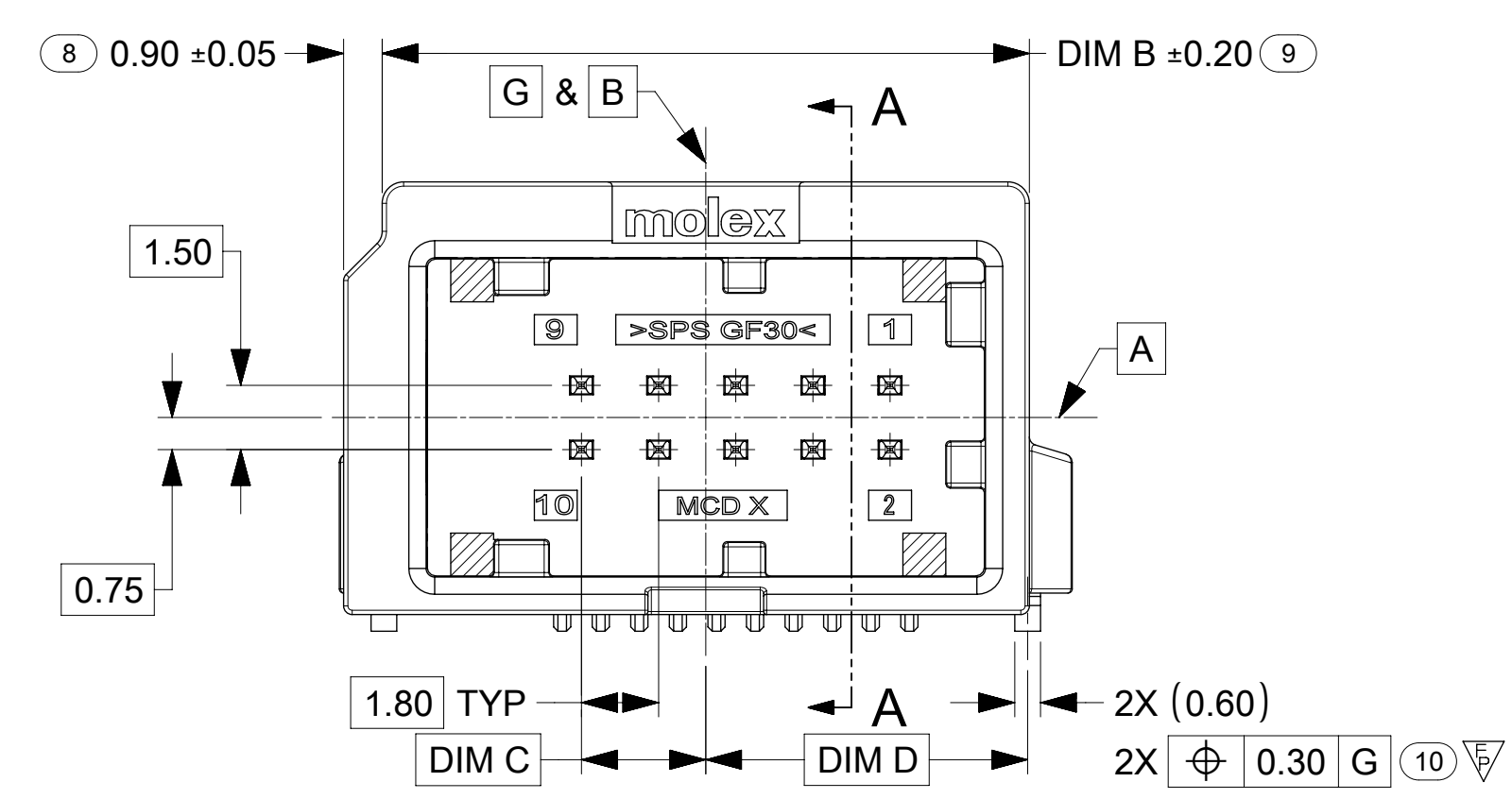
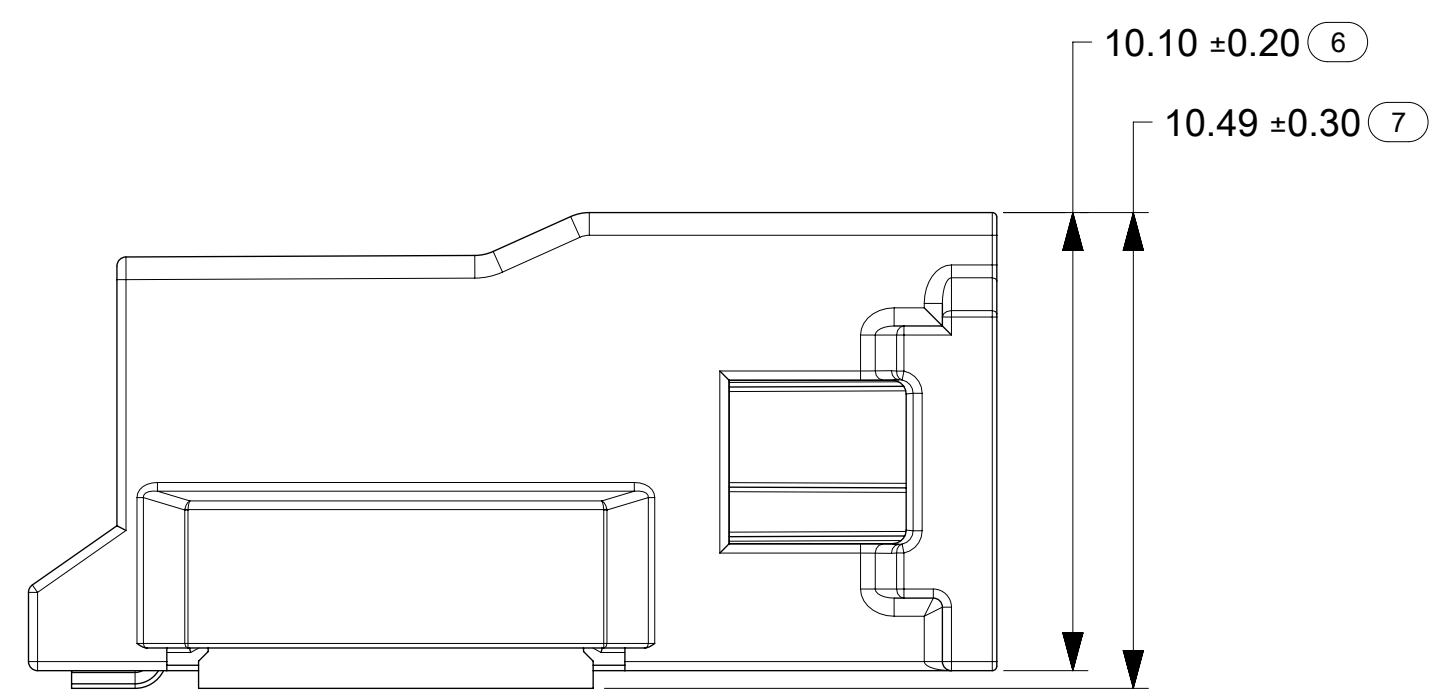
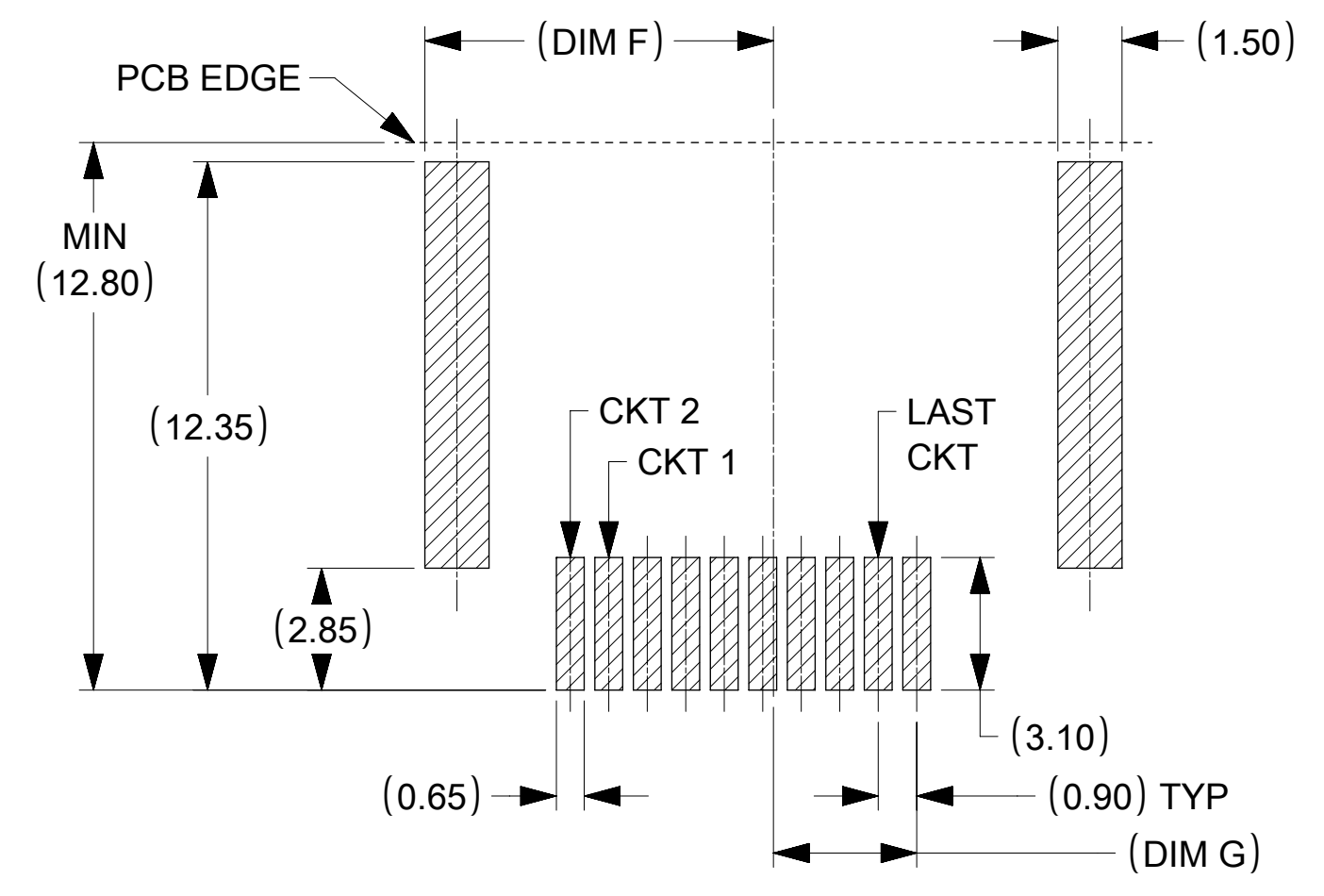
10CKT KEY A (2069582101) SHOWN EXCEPT WHERE NOTED  
 REFER TO 2046310002 FOR INTERFACE DIMENSIONS



0.10 (1) TO ALL CONTACT SURFACES

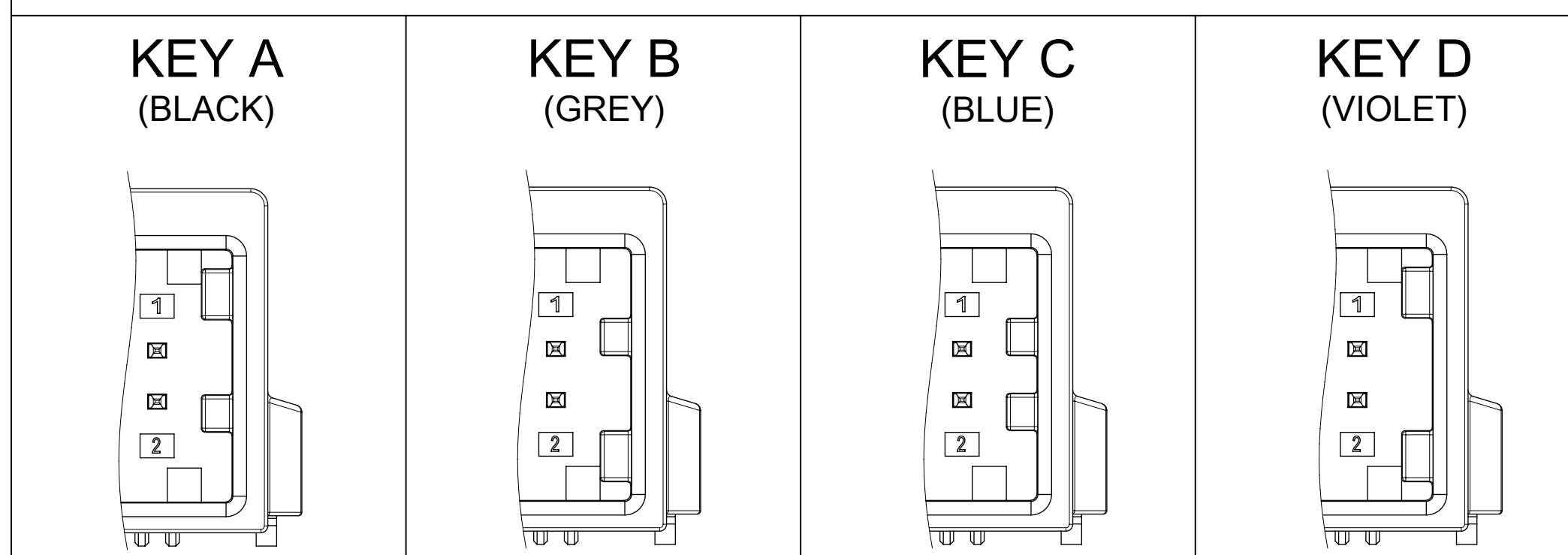


**POSSIBLE PCB LAYOUT**  
 LAND PATTERN SHOWN AT MMC



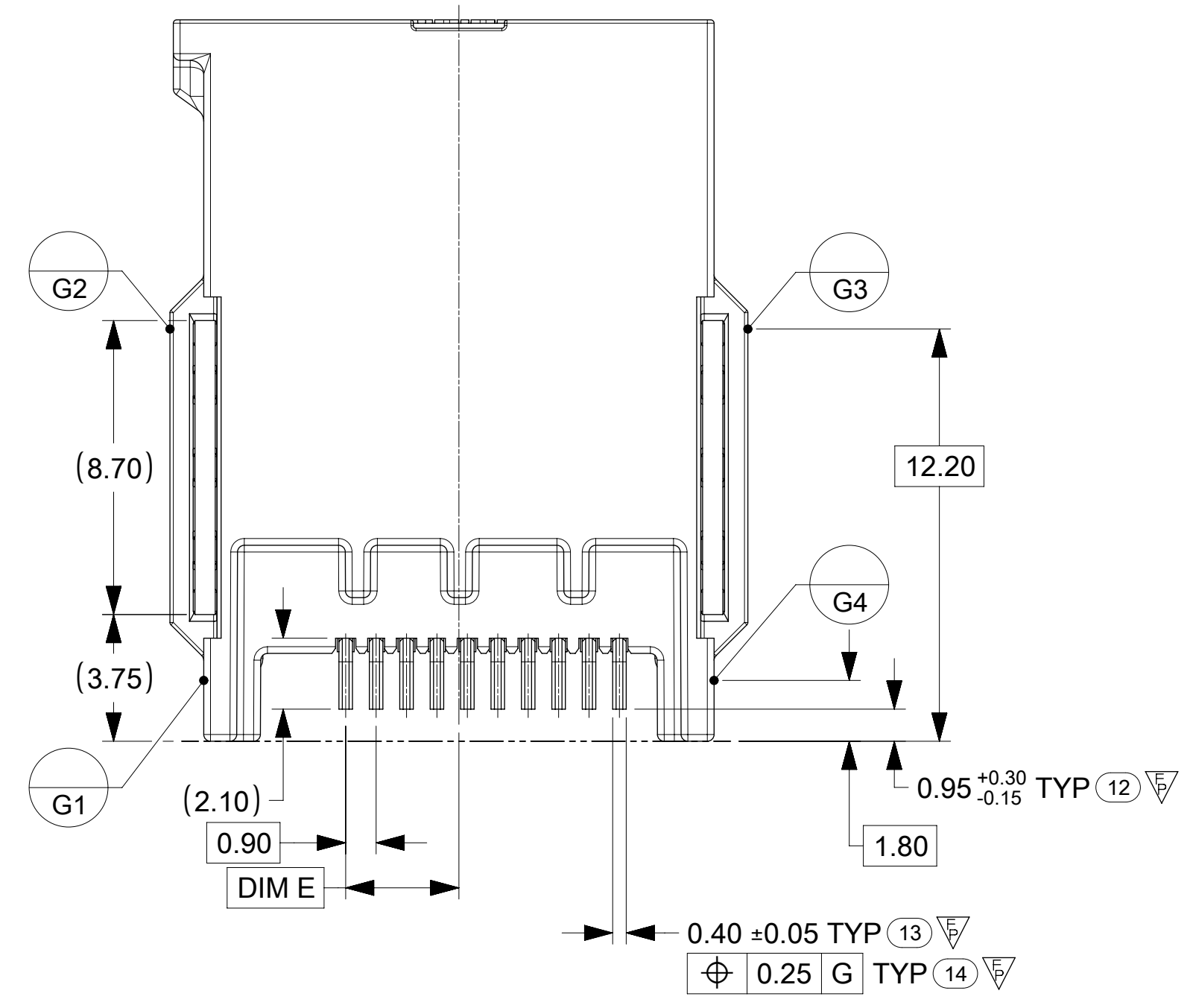
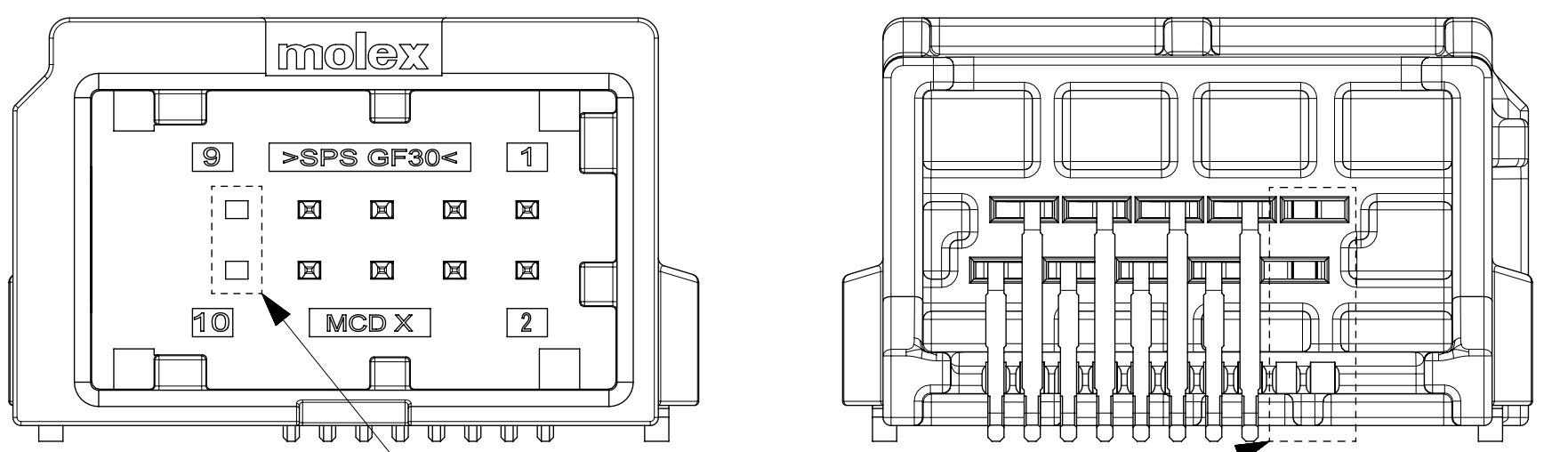
SECTION A-A

**KEYING OPTIONS**



**DEPOPULATED HEADER**

8CKT DEPOPULATED HEADER (10CKT INTERFACE) SHOWN  
 PART NUMBER: 2069584081



THIS DRAWING CONTAINS INFORMATION THAT IS PROPRIETARY TO MOLEX ELECTRONIC TECHNOLOGIES, LLC AND SHOULD NOT BE USED WITHOUT WRITTEN PERMISSION

DIMENSION UNITS	SCALE	CURRENT REV DESC:	
mm	6:1		
GENERAL TOLERANCES (UNLESS SPECIFIED)			
ANGULAR TOL	±	°	
4 PLACES	±		
3 PLACES	±		
2 PLACES	±		
1 PLACE	±		
0 PLACES	±		
DRAFT WHERE APPLICABLE MUST REMAIN WITHIN DIMENSIONS		THIRD ANGLE PROJECTION	DRAWING SERIES
			D-SIZE 204632
		MATERIAL NUMBER	CUSTOMER
		SEE TABLE	GENERAL MARKET
		DOC TYPE	DOC PART
		PSD	000
		REVISION	D3
		SHEET NUMBER	2 OF 2