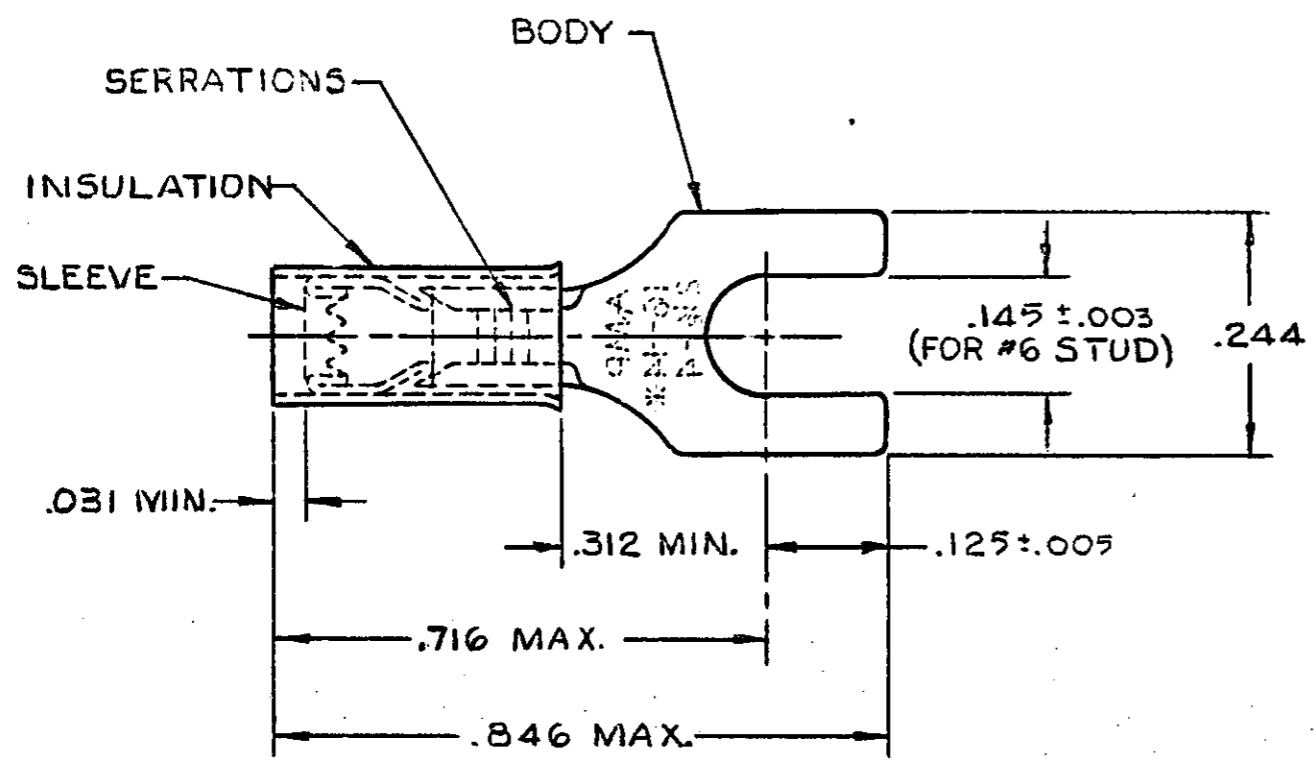


THIS DRAWING IS UNPUBLISHED. RELEASED FOR PUBLICATION . 19

© COPYRIGHT — BY —

REVISIONS						
P	F	ZONE	LTR	DESCRIPTION	DATE	APPROVED
			K1	REVISED PER ECO-11-005294	08APR11	HMR



- 1 WIRE INSULATION DIA: SEE TABLE.
- 2 TONGUE MATERIAL THK.: .031 ± .002

	.115-.170	100	LOOSE PC, BOX	8-328281-1
OB	.115-.170	100	ON TAPE, SM. BOX	1-328281-4
OB	.115-.170	1000	ON TAPE, LG. BOX	1-328281-3
OB	.105-.170	2000	ON TAPE, REEL	1-328281-2
	.115-.170	5000	ON TAPE, REEL	1-328281-1
OB	.105-.170	---	LOOSE PIECE	1-328281-0
	.115-.170	---	LOOSE PIECE	328281
	WIRE INS. DIA.	QUANTITY	DESCRIPTION	PART NO

UNLESS OTHERWISE SPECIFIED DIMENSIONS ARE IN INCHES. TOLERANCES ON: DECIMALS ± .008 ANGLES ±	CONTRACT NO		TE Connectivity	
	DR UTA/RFB 10-4-85			
MATERIAL INSULATION: NYLON - BLUE BODY & SLEEVE: COPPER (CG-C-576)	CHK P. M. [Signature] 2-13-86		NAME	
	APPD [Signature] 12-13-55		TERMINAL P.I.D.G., SPADE WIRE SIZE: 16-14	
FINISH BODY & SLEEVE TIN PL (MIL-T-10727) .000100 MIN. THK.	DSGN APPD	SIZE	FSCM NO	DRAWING NO
	OTHER APPD	B	00779	328281
		SCALE	NTS	SHEET 1 OF 1