

**SAIE-M12SB-4-F10TL****Weidmüller Interface GmbH & Co. KG**

Klingenbergstraße 16

D-32758 Detmold

Germany

Fon: +49 5231 14-0

Fax: +49 5231 14-292083

www.weidmueller.com



Weidmüller is now one of the industry's leading international providers of connectors. An important mainstay in this product family are the circular connectors, which Weidmüller groups under the product name SAI. In the development of SAI products, Weidmüller engineers have always concentrated on achieving rational, cost-effective installation concepts, and – in cooperation with major users – have supplied the markets with well-conceived products which set standards in terms of functionality and quality across the globe. The best examples are the new power distributors with S and T coded M12. These modules are characterised by particularly high currents and voltages. This enables them to also be used, for example, with three-phase motors.

**General ordering data**

Type	SAIE-M12SB-4-F10TL
Order No.	<a href="#">2423960000</a>
Version	Built-in plugs, M12, No. of poles: 4
GTIN (EAN)	4050118432268
Qty.	10 pc(s).

**SAIE-M12SB-4-F10TL****Weidmüller Interface GmbH & Co. KG**

Klingenbergstraße 16

D-32758 Detmold

Germany

Fon: +49 5231 14-0

Fax: +49 5231 14-292083

www.weidmueller.com

**Technical data****Dimensions and weights**

Net weight 13.7 g

**Environmental Product Compliance**

REACH SVHC Lead 7439-92-1

**Technical data of PCB plug-in connector**

Coding	B	Housing surface	nickel-plated
Housings	M12 pin	Mounting height	10 mm
Mounting thread	M12	No. of poles	4
Shield connection	Yes	Type of mounting	Front mounting
Rated voltage	250 V	Rated voltage (text)	250 V
Rated current	4 A	Rated current	4 A
Temperature range	-30...80 °C	Protection degree	IP67
Contact surface	Au (Gold)	Housing main material	CuZn, nickel-plated
Connection thread	M12	Tightening torque	M12: 0.8 Nm
Mounting thread	M 12	Mounting torque range	1.2 Nm
Mounting onto the PCB	Dip solder	Insulation strength	100 MΩ
Pollution severity	3 (2 within the sealed area)	Plugging cycles	≥ 100
Contact material	CuZn	Lock nut material	Nickel-plated CuZn
Material of the flange-mounted housing	Nickel-plated CuZn		

**Material data**

Contact material CuZn Contact surface Au (Gold)

**System parameters**

Mounting onto the PCB	Dip solder	Insulation strength	100 MΩ
No. of poles	4	Pin series quantity	1
Plugging cycles	≥ 100	Protection degree	IP67

**Classifications**

ETIM 6.0	EC002638	eClass 6.2	27-26-07-02
eClass 9.0	27-44-03-09	eClass 9.1	27-44-03-09

**Approvals**

ROHS Conform

**Downloads**

Brochure/Catalogue	<a href="#">FL FIELDWIRING EN</a>
Engineering Data	<a href="#">STEP</a>

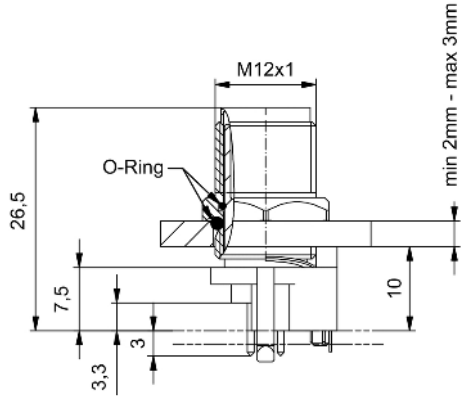
**Data sheet**

**SAIE-M12SB-4-F10TL**

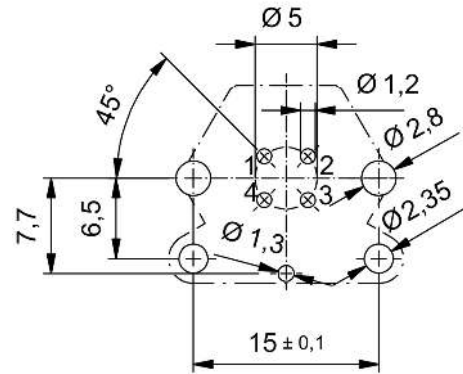
**Weidmüller Interface GmbH & Co. KG**  
 Klingenbergstraße 16  
 D-32758 Detmold  
 Germany  
 Fon: +49 5231 14-0  
 Fax: +49 5231 14-292083  
 www.weidmueller.com

**Drawings**

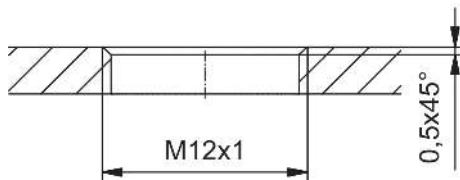
**Dimensioned drawing**



**PCB design**



**Front panel section**



**Pole scheme**

